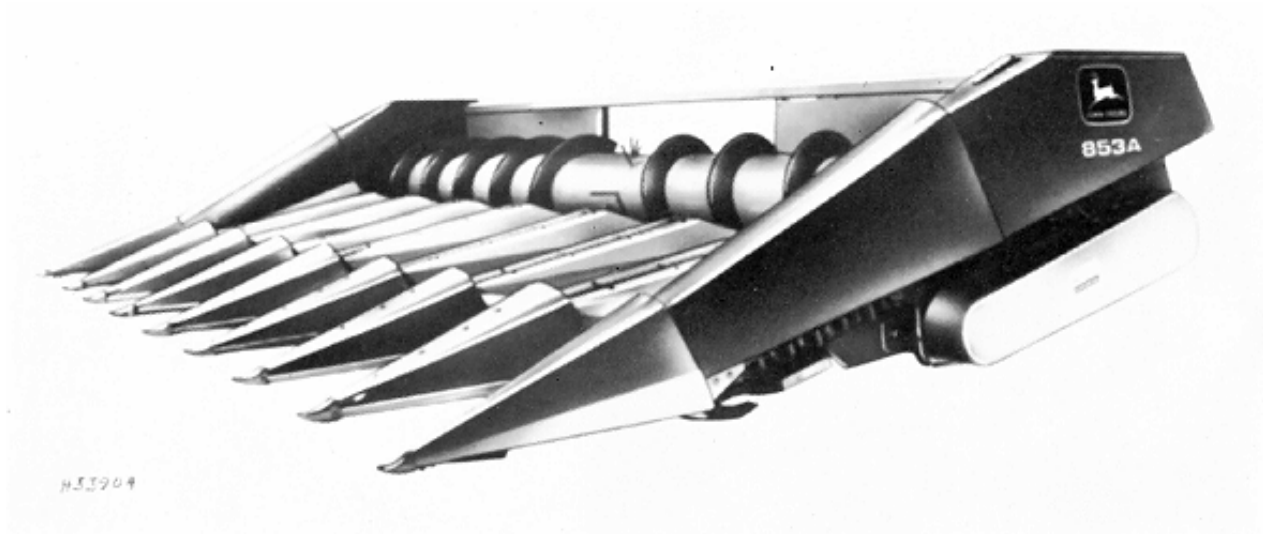


H33904

-UN-01JAN94



*JOHN DEERE 853A ROW-CROP HEAD*

*(SPECIFICATIONS AND DESIGN SUBJECT TO CHANGE WITHOUT NOTICE)*

## DATE OF MANUFACTURE

MODEL NO.	DATE
453A	(1980-1982)
454A	(1980-1998)
653A	(1980- )
654A	(1980-1999)
655A	(1982-1989)
853A	(1980- )
854A	(1983-1989)
1253A	(1983-1989)

## SERIAL NUMBER PLATE

USE ALL NUMBERS, LETTERS, AND SPACES SHOWN ON THE SERIAL NUMBERPLATE IN WARRANTY CORRESPONDENSE.

ROW-CROP HEADS (     -575900)

ON THESE ROW-CROP HEADS, THE SERIAL NUMBER PLATE IS LOCATED     ON THE LEFT-HAND SIDE SHEET.

*EXAMPLE: E0653A575900H*

E - EQUIPMENT  
0653A - ROW-CROP HEAD MODEL  
575900 - ROW-CROP HEAD SERIAL NUMBER  
H - FACTORY (HARVESTER WORKS)

ROW-CROP HEADS (575901-     )

ON THESE ROW-CROP HEADS, THE SERIAL NUMBER PLATE IS LOCATED ON THE LEFT HAND SIDE SHEET.

*EXAMPLE: H0653AX575901  
ROW-CROP HEAD*

(FIRST LINE)     H0 - FACTORY (HARVESTER WORKS)  
653A - ROW-CROP HEAD MODEL  
X - CONFIGURATION/MODEL SUFFIX  
575901 - ROW-CROP HEAD SEQUENCE NUMBER (SERIAL NUMBER)  
(SECOND LINE) ROW-CROP - PRODUCT TYPE

## SERIAL NUMBER LISTING INFORMATION

SERIAL NUMBER INFORMATION IS LISTED TO SHOW ON WHICH MACHINES EACH PART CAN BE USED; FOR EXAMPLE:

-           THE PART CAN BE USED ON ALL MACHINES.  
000000-     THE PART CAN BE USED ON ALL MACHINES BEGINNING WITH THE SERIAL NUMBER LISTED.  
-000000    THE PART CAN BE USED ON ALL MACHINES UP TO AND INCLUDING THE SERIAL NUMBER LISTED.  
000000-000000   THE PART CAN BE USED ON ALL MACHINES BETWEEN AND INCLUDING THE SERIAL NUMBERS LISTED.

WHEN XXXXXX'S ARE LISTED IN PLACE OF A SERIAL NUMBER, A SERIAL NUMBER CHANGE WAS MADE BUT THE EXACT SERIAL NUMBER WAS NOT AVAILABLE WHEN THE CATALOG WAS PRODUCED.

*COPYRIGHT (C) 2000. DEERE & COMPANY. MOLINE, ILLINOIS  
ALL RIGHTS RESERVED*

## DIRECTION ARROW

ARROWS ARE USED WITH ILLUSTRATIONS TO INDICATE THE FRONT OF THE UNIT. "RIGHT-HAND" AND "LEFT-HAND" SIDES ARE DETERMINED BY FACING IN THE DIRECTION OF MACHINE FORWARD TRAVEL.

## BOX-ENCLOSED ILLUSTRATIONS

A KEY NUMBER, SHOWN IN THE PARTS LIST, IS ASSIGNED TO A BOX ENCLOSING ALL PARTS SOLD AS A SERVICE ASSEMBLY. A BOX NOT KEYED INCLUDES NON-CURRENT PARTS.

## KITS

KIT INFORMATION WILL BE FOUND IMMEDIATELY FOLLOWING THE STORY IN WHICH IT IS USED. THE ILLUSTRATION IS REPEATED WITH ONLY THE KIT PARTS CALLED OUT AND WITH ALL OTHER PARTS SHOWN IN PHANTOM.

## JDM REMANUFACTURED COMPONENTS

THE SERVICE PARTS LISTED IN THIS CATALOG ARE INTENDED FOR THE REPAIR OF ORIGINAL EQUIPMENT COMPONENTS. ALTHOUGH MOST SERVICE PARTS MAY BE USED TO REPAIR REMANUFACTURED COMPONENTS, THE REMANUFACTURED DESIGN MAY CHANGE PARTS SUFFICIENTLY SO THAT SERVICE PARTS ARE INADEQUATE OR NOT USABLE.

## BOLT AND CAP SCREW STRENGTH IDENTIFICATION

BOLTS AND CAP SCREWS REQUIRED TO HAVE HIGH-STRENGTH QUALITIES EQUIVALENT TO SAE GRADE 8 ARE IDENTIFIED THROUGHOUT THIS CATALOG BY THE DESCRIPTION HS SAE 8. ALL STANDARD BOLTS AND CAP SCREWS ARE SAE GRADE 5 OR LOWER. BOLTS AND CAP SCREWS REQUIRED TO HAVE HIGH-STRENGTH QUALITIES EQUIVALENT TO PROPERTY CLASS 10.9 ARE IDENTIFIED THROUGHOUT THIS CATALOG BY THE DESCRIPTION HS 10.9. ALL STANDARD BOLTS AND CAP SCREWS ARE PROPERTY CLASS 8.8 OR LOWER.

## SI UNITS OF MEASURE

METRIC DIMENSIONS ARE GIVEN, WHERE APPLICABLE, THROUGHOUT THIS PARTS CATALOG.

## TRADEMARKS

THROUGHOUT THIS PARTS CATALOG, YOU WILL FIND THE FOLLOWING DEERE & COMPANY TRADEMARKS:

DIAL-A-SPEED™  
DIAL-A-MATIC™  
HARVESTRAK™

POSI-TORQ™  
TORQ-GARD SUPREME®  
QUIK-TATCH™

## CHANGE INDICATOR LINE

CHANGES AFFECTING THE ORDERING OF PARTS ARE IDENTIFIED BY VERTICAL LINES MARKED IN THE LEFT-HAND MARGIN OF REVISED PARTS LISTING IMAGES. A LINE IS ALSO AT THE LEFT-HAND EDGE OF THE SAME PART NUMBER IN THE NUMERICAL INDEX TO SHOW THE LOCATION OF REVISED INFORMATION.

## FUNCTION CODE

(EXAMPLE - FC: 5000)

FUNCTION CODES ARE LOCATED ON EACH PAGE IN THE UPPER RIGHT-HAND CORNER ON THE TITLE LINE. THE CODE LISTED IS A GROUPING CODE THAT CAN BE USED FOR WARRANTIES AND FOR DTAC TO IDENTIFY CERTAIN AREAS.

## COMPLETE GOODS LISTINGS

COMPLETE GOODS ARE IN BOLD FACE TYPE. ORDER SEPARATELY. DO NOT INCLUDE ON REPLACEMENT PARTS ORDER.

## ALPHABETICAL INDEX

GRID		PAGE	GRID		PAGE
	A				
J23	ACTUATOR, AUTO HEIGHT SENSING LINKAGE (685101- ) .....	156	G8	CHAIN DRIVE IDLER,R.H.AND L.H.GATHERER (655100- ) .....	66
J21	ACTUATOR, HEIGHT SENSING LINKAGE (575901-655099) .....	154	G5	CHAIN DRIVE, GATHERER ( -655099) .....	63
J15	ADAPTOR, BACK SHAFT - NEW HEADS TO OLD LEVEL LAND COMBINES.....	148	G6	CHAIN DRIVE, GATHERER (655100- ) .....	64
G19	AUGER AND SHAFT ( -655099) .....	78	G4	CHAIN, GATHERER .....	62
G21	AUGER AND SHAFT (655100- ) .....	80	I2	CHAIN, RH DRIVE 653A (685101- ) .....	107
H11	AUGER DRIVE ( -655099) .....	94	I4	CHAIN, RH DRIVE 853A (685101- ) .....	109
H13	AUGER DRIVE (655100- ) .....	96	I7	CHAIN, ROW UNIT DRIVE (854A, 1253A)( -630100) .....	112
H9	AUGER FLIGHT EXTENSIONS (454A,653A,654A,853A)( -655100) .....	92	I20	CHAIN, ROW UNIT DRIVE SPROCKET, L.H. (854A, 1253A)( -630100) .....	126
H10	AUGER FLIGHT EXTENSIONS (454A,653A,654A,853A)(655101- ) .....	93	I2	CLUTCH, SLIP RH DRIVE 653A (685101- ) .....	107
J23	AUTOMATIC HEIGHT SENSING LINKAGE (685101- ) .....	156	I4	CLUTCH, SLIP RH DRIVE 853A (685101- ) .....	109
J18	AUTOMATIC HEIGHT SENSOR ASSEMBLY .....	151	J14	CONTOUR MASTER DRIVE SHAFT .....	146
	B		J23	CONTROL, AUTOMATIC HEIGHT SENSING (685101- ) .....	156
J15	BACK SHAFT ADAPTOR - NEW HEADS TO OLD LEVEL LAND COMBINES.....	148	J17	CONTROL, DIAL-A-MATIC HEADER HEIGHT (525351-655099) .....	150
H3	BEARINGS, CROSS AUGER (854A, 1253A)( -630100) .....	86	J21	CONTROL, DIAL-A-MATIC HEADER HEIGHT (575901-655099) .....	154
G23	BEARINGS, CROSS AUGER(453A, 454A, 653A) (654A, 655A, 853A)( -655099) .....	82	F24	COUPLER, ROW UNIT DRIVE ( -655099)(453A, 454A, 653A) .....	57
H1	BEARINGS, CROSS AUGER(454A, 653A) (654A, 853A)(655100- ) .....	84	F24	COUPLER, ROW UNIT DRIVE ( -655099)(654A, 655A, 853A) .....	57
G11	BEARINGS, KNIFE (454A, 653A) (654A, 853A)(655100- ) .....	70	F25	COUPLER, ROW UNIT DRIVE (655100- )(454A, 653A) .....	58
G9	BEARINGS, KNIFE(453A, 454A, 653A) (654A, 655A, 853A)( -655099) .....	68	F25	COUPLER, ROW UNIT DRIVE (655100- )(654A, 853A) .....	58
J17	BOX, SENSING (525351-655099) .....	150	G1	COUPLER, ROW UNIT DRIVE (854A AND 1253A)( -630100) .....	59
K6	BRACKET, STUBBLE LIGHT ( -655099) .....	164	G19	COVER, AUGER AND SHAFT ( -655099) .....	78
K7	BRACKET, STUBBLE LIGHT (655100- ) .....	165	G21	COVER, AUGER AND SHAFT (655100- ) .....	80
F17	BRACKETS AND ROW UNIT FRAME ( -655099) .....	50	H3	CROSS AUGER BEARINGS (854A, 1253A)( -630100) .....	86
F19	BRACKETS AND ROW UNIT FRAME (655100- ) .....	52	G23	CROSS AUGER BEARINGS(453A, 454A, 653A) (654A, 655A, 853A)( -655099) .....	82
H5	BRACKETS, CROSS AUGER ( -655099) .....	88	H1	CROSS AUGER BEARINGS(454A, 653A) (654A, 853A)(655100- ) .....	84
H7	BRACKETS, CROSS AUGER (655100- ) .....	90	H5	CROSS AUGER BRACKETS ( -655099) .....	88
	C		H7	CROSS AUGER BRACKETS (655100- ) .....	90
F11	CENTER GATHERER POINTS ( -655099) .....	42	H3	CROSS AUGER FINGERS (854A, 1253A)( -630100) .....	86
F13	CENTER GATHERER POINTS (655100- ) .....	44	G23	CROSS AUGER FINGERS(453A, 454A, 653A) (654A, 655A, 853A)( -655099) .....	82
F15	CENTER GATHERER SHIELDS ( -655099) .....	47	H1	CROSS AUGER FINGERS(454A, 653A) (654A, 853A)(655100- ) .....	84
F16	CENTER GATHERER SHIELDS (655100- ) .....	48	H3	CROSS AUGER SHAFTS (854A, 1253A)( -630100) .....	86
G7	CHAIN DRIVE IDLER,R.H.AND L.H.GATHERER ( -655099) .....	65	G23	CROSS AUGER SHAFTS(453A, 454A, 653A) (654A, 655A, 853A)( -655099) .....	82
			H1	CROSS AUGER SHAFTS(454A, 653A) (654A, 853A)(655100- ) .....	84
				D	
			K8	DECAL, RANGE INDICATOR ( -655099) .....	166

## ALPHABETICAL INDEX - CONTINUED

GRID		PAGE	GRID		PAGE
K9	DECAL, RANGE INDICATOR (655100- ) .....	167	H17	DRIVE, ROW UNIT - R.H.(453A, 454A, 653A) (654A, 655A, 853A)( -655099) .....	100
K16	DECALS .....	174	H19	DRIVE, ROW UNIT - R.H.(453A, 454A, 653A) (654A, 853A)(655100- ) .....	102
F21	DEFLECTORS, ROCK ( -660100) .....	54	H21	DRIVE, ROW UNIT - R.H.(454A, 653A) (654A, 853A)(655100- ) .....	104
K2	DIAL-A-MATIC HD. HGT. CONTROL, WIRING HARNES (615401-640100) .....	160	G17	DRIVES AND ROTATING KNIFE (854A, 1253A)( -630100) .....	76
J17	DIAL-A-MATIC HEADER HEIGHT CONTROL (525351-655099) .....	150	G13	DRIVES, KNIFE (453A, 454A, 653A) (654A, 655A, 853A)( -655099) .....	72
J21	DIAL-A-MATIC HEADER HEIGHT CONTROL (575901-655099) .....	154	G15	DRIVES, KNIFE(454A, 653A, 654A, 853A) (655100- ) .....	74
K1	DIAL-A-MATIC HEADER HGT, WIRING HARNES (525351-615400) .....	159	<b>E</b>		
I22	DRIVE - ROW UNIT, L.H. (854A, 1253A) ( -630100) .....	128	H9	EXTENSIONS, FLIGHT, AUGER (454A,653A,654A,853A)( -655100) .....	92
J14	DRIVE SHAFT FOR LEVEL LAND AND CONTOUR MASTER .....	146	H10	EXTENSIONS, FLIGHT, AUGER (454A,653A,654A,853A)(655101- ) .....	93
J10	DRIVE SHAFT, HEADER - SIDEHILL ( -615150) (6600/6620 COMBINES) .....	142	<b>F</b>		
J12	DRIVE SHAFT, HEADER - SIDEHILL -WEASLER (645101- ) 9500SH COMBINE .....	144	H3	FINGERS, CROSS AUGER (854A, 1253A)( -630100) .....	86
J11	DRIVE SHAFT, HEADER-SIDEHILL (615151-640700) (6600/6620 COMBINES) .....	143	G23	FINGERS, CROSS AUGER(453A, 454A, 653A) (654A, 655A, 853A)( -655099) .....	82
K11	DRIVE SHIELDS, ROW-CROP ( -575900) .....	169	H1	FINGERS, CROSS AUGER(454A, 653A) (654A, 853A)(655100- ) .....	84
K12	DRIVE SHIELDS, ROW-CROP (575901-655099) .....	170	H9	FLIGHT, AUGER, EXTENSIONS (454A,653A,654A,853A)( -655100) .....	92
K13	DRIVE SHIELDS, ROW-CROP (655100- ) .....	171	H10	FLIGHT, AUGER, EXTENSIONS (454A,653A,654A,853A)(655101- ) .....	93
H11	DRIVE, AUGER ( -655099) .....	94	G2	FLOAT SPRING AND MOUNTING ( -655099) .....	60
H13	DRIVE, AUGER (655100- ) .....	96	G3	FLOAT SPRING AND MOUNTING (655100- ) .....	61
G5	DRIVE, GATHERER CHAIN ( -655099) .....	63	E8	FRAME, MAIN (453A AND 454A) ( -655099) .....	12
G6	DRIVE, GATHERER CHAIN (655100- ) .....	64	E10	FRAME, MAIN (454A) (655100- ) .....	14
I17	DRIVE, LH 653A (685101- ) .....	122	E16	FRAME, MAIN (653A, 654A, 655A, 853A) ( -575900) .....	20
I18	DRIVE, LH 853A (685101- ) .....	124	E18	FRAME, MAIN (653A, 654A, 655A, 853A) (575901-655399) .....	22
I19	DRIVE, LH 853A (685101- ) .....	125	E20	FRAME, MAIN (653A, 654A, 853A) (655400- ) .....	24
I1	DRIVE, RH 653A (685101- ) .....	106	F1	FRAME, MAIN (854A AND 1253A) ( -630100) .....	30
I2	DRIVE, RH 653A (685101- ) .....	107	F3	FRAME, MAIN (854A AND 1253A) ( -630100) .....	32
I3	DRIVE, RH 853A (685101- ) .....	108	F17	FRAME, ROW UNIT ( -655099) .....	50
I4	DRIVE, RH 853A (685101- ) .....	109	F19	FRAME, ROW UNIT (655100- ) .....	52
I13	DRIVE, ROW UNIT - L.H. (655400- )(653A, 654A, 853A) .....	118	<b>G</b>		
I15	DRIVE, ROW UNIT - L.H. (655400- )(653A, 654A, 853A) .....	120	G4	GATHERER CHAIN .....	62
J6	DRIVE, ROW UNIT - L.H. (SIDEHILL) (645101-655399)(653A) 9500SH COMBINE .....	138	G5	GATHERER CHAIN DRIVE ( -655099) .....	63
J5	DRIVE, ROW UNIT - L.H. (SIDEHILL) (653A) (6600 & 6620 COMBINES) .....	136	G6	GATHERER CHAIN DRIVE (655100- ) .....	64
J8	DRIVE, ROW UNIT - L.H. (SIDEHILL) (655400- )(653A) 9500SH COMBINES .....	140	G7	GATHERER CHAIN DRIVE IDLER,R.H.-L.H. ( -655099) .....	65
I9	DRIVE, ROW UNIT - L.H.(653A, 654A) (655A, 853A)( -655399) .....	114			
I11	DRIVE, ROW UNIT - L.H.(653A, 654A) (655A, 853A)( -655399) .....	116			
I24	DRIVE, ROW UNIT - R.H. (SIDEHILL) (6600 AND 6620 COMBINES)(454A, 653A) .....	130			
J1	DRIVE, ROW UNIT - R.H. (SIDEHILL) (9500SH COMBINE) (653A) .....	132			
J3	DRIVE, ROW UNIT - R.H. (SIDEHILL) (9500SH COMBINES) (653A) .....	134			
H15	DRIVE, ROW UNIT - R.H.(453A, 454A, 653A) (654A, 655A, 853A)( -655099) .....	98			

## ALPHABETICAL INDEX - CONTINUED

GRID		PAGE	GRID		PAGE
G8	GATHERER CHAIN DRIVE IDLER,R.H.-L.H. (655100- ) .....	66	K9	INDICATOR, HEIGHT RANGE (655100- ) .....	167
F11	GATHERER POINTS, CENTER ( -655099) .....	42			
F13	GATHERER POINTS, CENTER (655100- ) .....	44		K	
F5	GATHERER POINTS, OUTER ( -655099) .....	34	K10	KEY STOCK, METRIC KIT .....	168
F6	GATHERER POINTS, OUTER (655100- ) .....	35	K10	KIT, METRIC KEY STOCK .....	168
F7	GATHERER SHEETS, OUTER ( -655099) .....	36	G11	KNIFE AND BEARINGS (454A, 653A) (654A, 853A)(655100- ) .....	70
F8	GATHERER SHEETS, OUTER (655100- ) .....	37	G9	KNIFE AND BEARINGS(453A, 454A, 653A) (654A, 655A, 853A)( -655099) .....	68
F15	GATHERER SHIELDS, CENTER ( -655099) .....	47	G17	KNIFE AND DRIVES, ROTATING (854A, 1253A)( -630100) .....	76
F16	GATHERER SHIELDS, CENTER (655100- ) .....	48	G13	KNIFE DRIVE (453A, 454A, 653A) (654A, 655A, 853A)( -655099) .....	72
F9	GATHERER SHIELDS, OUTER ( -655099) .....	39	G15	KNIFE DRIVE(454A 653A, 654A, 853A) (655100- ) .....	74
F10	GATHERER SHIELDS, OUTER (655100- ) .....	40	G11	KNIFE, ROTATING (454A, 653A) (654A, 853A)(655100- ) .....	70
	H		G9	KNIFE, ROTATING(453A, 454A, 653A) (654A, 655A, 853A)( -655099) .....	68
K3	HARNESS, MARKER LIGHT (640101-655099) .....	161	G11	KNIFE, STATIONARY (454A, 653A) (654A, 853A)(655100- ) .....	70
K4	HARNESS, MARKER LIGHT (655100- ) .....	162	G9	KNIFE, STATIONARY(453A, 454A, 653A) (654A, 655A, 853A)( -655099) .....	68
K6	HARNESS, STUBBLE LIGHT ( -655099) .....	164			
K7	HARNESS, STUBBLE LIGHT (655100- ) .....	165		L	
J25	HARNESS, WIRING (AUTO.HDR.HGT.CONTROL) ( -525350) .....	158	J14	LEVEL LAND DRIVE SHAFT .....	146
K1	HARNESS, WIRING, DIAL-A-MATIC HEADER HGT (525351-615400) .....	159	I17	LH DRIVE, 653A (685101- ) .....	122
K2	HARNESS, WIRING, DIAL-A-MATIC HEADER HGT CONTROL (615401-640100) .....	160	I18	LH DRIVE, 853A (685101- ) .....	124
J10	HEADER DRIVE SHAFT - SIDEHILL ( -615150) (6600/6620 COMBINES) .....	142	K3	LIGHT, MARKER, HARNESS (640101-655099) .....	161
J12	HEADER DRIVE SHAFT - SIDEHILL - WEASLER (645101- ) 9500SH COMBINE .....	144	K4	LIGHT, MARKER, HARNESS (655100- ) .....	162
J11	HEADER DRIVE SHAFT-SIDEHILL (615151-640700) (6600/6620 COMBINES) .....	143	K5	LIGHTS, MARKER .....	163
K8	HEIGHT RANGE INDICATOR ( -655099) .....	166	J23	LINKAGE, AUTOMATIC HEIGHT SENSING (685101- ) .....	156
K9	HEIGHT RANGE INDICATOR (655100- ) .....	167	J19	LINKAGE, HEIGHT SENSING (AHHC) ( -575900) .....	152
J19	HEIGHT SENSING LINKAGE (AHHC) ( -575900) .....	152	J21	LINKAGE, HEIGHT SENSING (DIAL-A-MATIC) (575901-655099) .....	154
J21	HEIGHT SENSING LINKAGE (DIAL-A-MATIC) (575901-655099) .....	154			
J18	HEIGHT SENSOR, AUTOMATIC .....	151		M	
G17	HOUSING, ROTATING KNIFE AND DRIVES (854A, 1253A)( -630100) .....	76	E8	MAIN FRAME (453A AND 454A) ( -655099) .....	12
	I		E10	MAIN FRAME (454A) (655100- ) .....	14
G7	IDLER,R.H.AND L.H.GATHERER CHAIN DRIVE ( -655099) .....	65	E16	MAIN FRAME (653A, 654A, 655A, 853A) ( -575900) .....	20
G8	IDLER,R.H.AND L.H.GATHERER CHAIN DRIVE (655100- ) .....	66	E18	MAIN FRAME (653A, 654A, 655A, 853A) (575901-655399) .....	22
K8	INDICATOR, HEIGHT RANGE ( -655099) .....	166	E20	MAIN FRAME (653A, 654A, 853A) (655400- ) .....	24
			F1	MAIN FRAME (854A AND 1253A) ( -630100) .....	30
			F3	MAIN FRAME (854A AND 1253A) ( -630100) .....	32
			E22	MAIN FRAME STRIPPERS, SHEETS AND REINFORCEMENT (653A, 654A, 655A, 853A) .....	26
			E24	MAIN FRAME STRIPPERS, SHEETS AND REINFORCEMENT (653A, 654A, 853A) .....	28

## ALPHABETICAL INDEX - CONTINUED

GRID		PAGE	GRID		PAGE
E12	MAIN FRAME STRIPPERS, SHEETS, AND REINFORCEMENT ( -655099) (453A) .....	16	E22	REINFORCEMENT, MAIN FRAME (653A,654A,655A,853A) (575901-655399) .....	26
E12	MAIN FRAME STRIPPERS, SHEETS, AND REINFORCEMENT ( -655099) (454A) .....	16	E14	REINFORCEMENT, MAIN FRAME (655100- ) (454A) .....	18
E14	MAIN FRAME STRIPPERS, SHEETS, AND REINFORCEMENT (655100- ) (454A) .....	18	E24	REINFORCEMENT, MAIN FRAME (655400- ) (653A, 654A, 853A) .....	28
K3	MARKER LIGHT HARNESS (640101-655099) .....	161	F1	REINFORCEMENT, MAIN FRAME (854A - 1253A) ( -630100) .....	30
K4	MARKER LIGHT HARNESS (655100- ) .....	162	F3	REINFORCEMENT, MAIN FRAME (854A - 1253A) ( -630100) .....	32
K5	MARKER LIGHTS .....	163	I2	RH DRIVE, 653A (685101- ) .....	107
K10	METRIC KEY STOCK KIT.....	168	I4	RH DRIVE, 853A (685101- ) .....	109
J16	MOUNTING (AUTO.HDR.HGT.CONTROL) ( -525350) .....	149	F21	ROCK DEFLECTORS ( -660100) .....	54
G2	MOUNTING AND FLOAT SPRING ( -655099) .....	60	G11	ROTATING KNIFE (454A, 653A) (654A, 853A)(655100- ) .....	70
G3	MOUNTING AND FLOAT SPRING (655100- ) .....	61	G17	ROTATING KNIFE AND DRIVES (854A, 1253A)( -630100) .....	76
F24	MOUNTING, ROW UNIT DRIVE ( -655099) (654A, 655A, 853A) .....	57	G9	ROTATING KNIFE(453A, 454A, 653A) (654A, 655A, 853A)( -655099) .....	68
F24	MOUNTING, ROW UNIT DRIVE ( -655099)(453A, 454A, 653A) .....	57	I13	ROW UNIT DRIVE - L.H. (655400- )(653A, 654A, 853A) .....	118
F25	MOUNTING, ROW UNIT DRIVE (655100- )(454A, 653A) .....	58	I15	ROW UNIT DRIVE - L.H. (655400- )(653A, 654A, 853A) .....	120
F25	MOUNTING, ROW UNIT DRIVE (655100- )(654A, 853A) .....	58	J6	ROW UNIT DRIVE - L.H. (SIDEHILL) (645101-655399)(653A) 9500SH COMBINE.....	138
G1	MOUNTING, ROW UNIT DRIVE (854A AND 1253A)( -630100) .....	59	J5	ROW UNIT DRIVE - L.H. (SIDEHILL) (653A) (6600 & 6620 COMBINES) .....	136
O					
F5	OUTER GATHERER POINTS ( -655099) .....	34	J8	ROW UNIT DRIVE - L.H. (SIDEHILL) (655400- )(653A) 9500SH COMBINES .....	140
F6	OUTER GATHERER POINTS (655100- ) .....	35	I9	ROW UNIT DRIVE - L.H.(653A, 654A) (655A, 853A)( -655399) .....	114
F9	OUTER GATHERER SHIELDS ( -655099) .....	39	I11	ROW UNIT DRIVE - L.H.(653A, 654A) (655A, 853A)( -655399) .....	116
F10	OUTER GATHERER SHIELDS (655100- ) .....	40	I24	ROW UNIT DRIVE - R.H. (SIDEHILL) (6600 AND 6620 COMBINES) (454A, 653A) .....	130
F7	OUTER GATHERERER SHEETS ( -655099) .....	36	J1	ROW UNIT DRIVE - R.H. (SIDEHILL) (9500SH COMBINE) (653A) .....	132
F8	OUTER GATHERERER SHEETS (655100- ) .....	37	J3	ROW UNIT DRIVE - R.H. (SIDEHILL) (9500SH COMBINES) (653A) .....	134
P					
F11	POINTS, CENTER GATHERER ( -655099) .....	42	H15	ROW UNIT DRIVE - R.H.(453A, 454A, 653A) (654A, 655A, 853A)( -655099) .....	98
F13	POINTS, CENTER GATHERER (655100- ) .....	44	H17	ROW UNIT DRIVE - R.H.(453A, 454A, 653A) (654A, 655A, 853A)( -655099) .....	100
F5	POINTS, OUTER GATHERER ( -655099) .....	34	H19	ROW UNIT DRIVE - R.H.(453A, 454A, 653A) (654A, 853A)(655100- ) .....	102
F6	POINTS, OUTER GATHERER (655100- ) .....	35	H21	ROW UNIT DRIVE - R.H.(454A, 653A) (654A, 853A)(655100- ) .....	104
R					
K8	RANGE INDICATOR, HEIGHT ( -655099) .....	166	F24	ROW UNIT DRIVE COUPLER ( -655099) (654A, 655A, 853A) .....	57
K9	RANGE INDICATOR, HEIGHT (655100- ) .....	167	F24	ROW UNIT DRIVE COUPLER ( -655099)(453A, 454A, 653A) .....	57
E12	REINFORCEMENT, MAIN FRAME ( -655099) (453A AND 454A) .....	16	F25	ROW UNIT DRIVE COUPLER (655100- )(454A, 653A) .....	58
			F25	ROW UNIT DRIVE COUPLER (655100- )(654A, 853A) .....	58
			G1	ROW UNIT DRIVE COUPLER (854A AND 1253A)( -630100) .....	59
			F24	ROW UNIT DRIVE MOUNTING ( -655099)(453A, 454A, 653A) .....	57
			F24	ROW UNIT DRIVE MOUNTING ( -655099)(654A, 655A, 853A) .....	57
			F25	ROW UNIT DRIVE MOUNTING (655100- )(454A, 653A) .....	58
			F25	ROW UNIT DRIVE MOUNTING (655100- )(654A, 853A) .....	58

## ALPHABETICAL INDEX - CONTINUED

GRID		PAGE	GRID		PAGE
G1	ROW UNIT DRIVE MOUNTING (854A AND 1253A)( -630100) .....	59	J11	SHAFT, HEADER DRIVE-SIDEHILL (615151-640700) (6600/6620 COMBINES) .....	143
F24	ROW UNIT DRIVE SHAFT ( -655099)(453A, 454A, 653A) .....	57	I22	SHAFT, L.H. ROW UNIT DRIVE (854A, 1253A)( -630100) .....	128
F24	ROW UNIT DRIVE SHAFT ( -655099)(654A, 655A, 853A) .....	57	I19	SHAFT, LH DRIVE 853A (685101- ) .....	125
F25	ROW UNIT DRIVE SHAFT (655100- )(454A, 653A) .....	58	F24	SHAFT, ROW UNIT DRIVE ( -655099) 654A, 655A, 853A) .....	57
F25	ROW UNIT DRIVE SHAFT (655100- )(654A, 853A) .....	58	F24	SHAFT, ROW UNIT DRIVE ( -655099)(453A, 454A, 653A) .....	57
G1	ROW UNIT DRIVE SHAFT (854A AND 1253A)( -630100) .....	59	F25	SHAFT, ROW UNIT DRIVE (655100- )(454A, 653A) .....	58
I7	ROW UNIT DRIVE SHAFT (854A, 1253A)( -630100) .....	112	F25	SHAFT, ROW UNIT DRIVE (655100- )(654A, 853A) .....	58
I20	ROW UNIT DRIVE SHAFT, L.H. (854A, 1253A)( -630100) .....	126	G1	SHAFT, ROW UNIT DRIVE (854A AND 1253A)( -630100) .....	59
I5	ROW UNIT DRIVE SHAFT, R.H. (854A, 1253A)( -630100) .....	110	I7	SHAFT, ROW UNIT DRIVE (854A, 1253A)( -630100) .....	112
I7	ROW UNIT DRIVE SLIP CLUTCH (854A, 1253A)( -630100) .....	112	I20	SHAFT, ROW UNIT DRIVE, L.H. (854A, 1253A)( -630100) .....	126
I20	ROW UNIT DRIVE SLIP CLUTCH, L.H. (854A, 1253A)( -630100) .....	126	H3	SHAFTS, CROSS AUGER (854A, 1253A)( -630100) .....	86
I20	ROW UNIT DRIVE SPROCKET, L.H. (854A, 1253A)( -630100) .....	126	G23	SHAFTS, CROSS AUGER(453A, 454A, 653A) (654A, 655A, 853A)( -655099) .....	82
I5	ROW UNIT DRIVE SPROCKET, R.H. (854A, 1253A)( -630100) .....	110	H1	SHAFTS, CROSS AUGER(454A, 653A) (654A, 853A)(655100- ) .....	84
I7	ROW UNIT DRIVE SPROCKETS (854A, 1253A)( -630100) .....	112	E14	SHEET, MAIN FRAME (655100- ) (454A) .....	18
I22	ROW UNIT DRIVE, L.H. (854A, 1253A) ( -630100) .....	128	E12	SHEET, MAIN FRAME (453A AND 454A) ( -655099) .....	16
F17	ROW UNIT FRAME AND BRACKETS ( -655099) .....	50	E22	SHEET, MAIN FRAME (575901-655399) (653A, 654A, 655A, 853A) .....	26
F19	ROW UNIT FRAME AND BRACKETS (655100- ) .....	52	E16	SHEET, MAIN FRAME (653A,654A,655A,853A) ( -575900) .....	20
K11	ROW-CROP DRIVE SHIELDS ( -575900) .....	169	E24	SHEET, MAIN FRAME (655400- ) (653A, 654A, 853A) .....	28
K12	ROW-CROP DRIVE SHIELDS (575901-655099) .....	170	F1	SHEET, MAIN FRAME (854A AND 1253A) ( -630100) .....	30
K13	ROW-CROP DRIVE SHIELDS (655100- ) .....	171	F3	SHEET, MAIN FRAME (854A AND 1253A) ( -630100) .....	32
S					
J17	SENSING BOX (525351-655099) .....	150	F7	SHEETS, OUTER GATHERER ( -655099) .....	36
J23	SENSING LINKAGE, AUTOMATIC HEIGHT (685101- ) .....	156	F8	SHEETS, OUTER GATHERER (655100- ) .....	37
J21	SENSING LINKAGE, HEIGHT (DIAL-A-MATIC) (575901-655099) .....	154	I2	SHEILDS, RH DRIVE 653A (685101- ) .....	107
J16	SENSING SWITCHES (AUTO.HDR.HGT.CONTROL) ( -525350) .....	149	I4	SHEILDS, RH DRIVE 853A (685101- ) .....	109
J18	SENSOR, AUTOMATIC HEIGHT .....	151	I19	SHIELD, LH DRIVE 853A (685101- ) .....	125
G19	SHAFT AND AUGER ( -655099) .....	78	G17	SHIELD, ROTATING KNIFE AND DRIVES (854A, 1253A)( -630100) .....	76
G21	SHAFT AND AUGER (655100- ) .....	80	F15	SHIELDS, CENTER GATHERER ( -655099) .....	47
J15	SHAFT, BACK ADAPTOR - NEW HEADS TO OLD LEVEL LAND COMBINES.....	148	F16	SHIELDS, CENTER GATHERER (655100- ) .....	48
J14	SHAFT, DRIVE, FOR LEVEL LAND AND CONTOUR MASTER .....	146	F9	SHIELDS, OUTER GATHERER ( -655099) .....	39
I5	SHAFT, DRIVE, ROW UNIT, R.H. (854A, 1253A)( -630100) .....	110	F10	SHIELDS, OUTER GATHERER (655100- ) .....	40
J10	SHAFT, HEADER DRIVE - SIDEHILL ( -615150) (6600/6620 COMBINES) .....	142	J8	SHIELDS, ROW DRIVE UNIT - L.H. 9500SH (SIDEHILL) (655400- )(653A) .....	140
J12	SHAFT, HEADER DRIVE - SIDEHILL WEASLER (645101- ) 9500SH COMBINE .....	144	J6	SHIELDS, ROW UNIT DRIVE - L.H. 9500SH (SIDEHILL) (645101-655399)(653A) .....	138
			J3	SHIELDS, ROW UNIT DRIVE - R.H. (SIDEHILL) (9500SH COMBINES) (653A) .....	134
			J1	SHIELDS, ROW UNIT DRIVE - R.H. (SIDEHILL)(9500SH COMBINE)(653A) .....	132
			I24	SHIELDS, ROW UNIT DRIVE - R.H.(SIDEHILL) (6600 AND 6620 COMBINES)(454A, 653A) .....	130



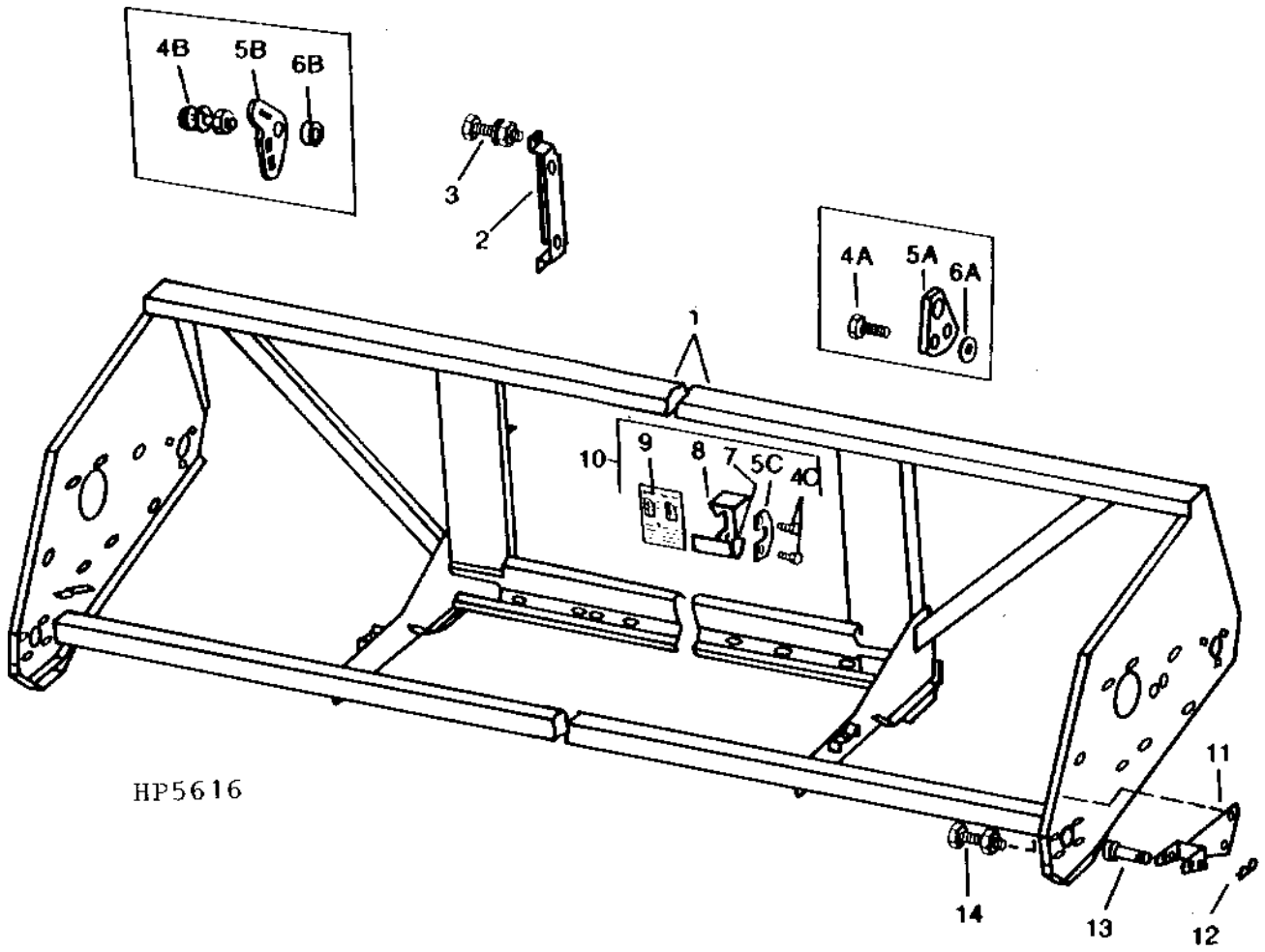
## ALPHABETICAL INDEX - CONTINUED

GRID		PAGE	GRID		PAGE
J5	SHIELDS, ROW UNIT DRIVE-L.H. (SIDEHILL) (653A) (6600 & 6620 COMBINES) .....	136	K14	SUNFLOWER ATTACHMENT ( -655099) .....	172
K11	SHIELDS, ROW-CROP DRIVE ( -575900) .....	169	K15	SUNFLOWER ATTACHMENT (655100- ) .....	173
K12	SHIELDS, ROW-CROP DRIVE (575901-655099) .....	170	J16	SWITCHES, SENSING (AUTO.HDR.HGT.CONTROL) ( -525350) .....	149
K13	SHIELDS, ROW-CROP DRIVE (655100- ) .....	171		T	
I17	SHIELDS, 653A LH DRIVE (685101- ) .....	122	G13	TIGHTENER, KNIFE DRIVES (655A, 853A)( -655099) .....	72
F22	SHOES, STUBBLE ( -655099) .....	55	G13	TIGHTENER, KNIFE DRIVES (453A, 454A) (653A, 654A)( -655099) .....	72
F23	SHOES, STUBBLE (655100- ) .....	56	G15	TIGHTENER, KNIFE DRIVES(454A, 653A) (654A, 853A) (655100- ) .....	74
J10	SIDEHILL - HEADER DRIVE SHAFT ( -615150) (6600/6620 COMBINES) .....	142		W	
J11	SIDEHILL-HEADER DRIVE SHAFT (615151-640700) (6600/6620 COMBINES) .....	143	J11	WALTERSCHIED HEADER DRIVE SHAFT, S.H. (615151-640700) (6600/6620 COMBINES) .....	143
J12	SIDEHILL, HEADER DRIVE SHAFT - WEASLER (645101- ) 9500SH COMBINE .....	144	J12	WEASLER HEADER DRIVE SHAFT - SIDEHILL (645101- ) 9500SH COMBINE .....	144
I7	SLIP CLUTCH, ROW UNIT DRIVE (854A, 1253A)( -630100) .....	112	J25	WIRING HARNESS (AUTO.HDR.HGT.CONTROL) ( -525350) .....	158
I20	SLIP CLUTCH, ROW UNIT DRIVE, L.H. (854A, 1253A)( -630100) .....	126	K1	WIRING HARNESS, DIAL-A-MATIC HEADER HGT (525351-615400) .....	159
G2	SPRING, FLOAT ( -655099) .....	60	K2	WIRING HARNESS, DIAL-A-MATIC HEADER HGT. CONTROL (615401-640100) .....	160
G3	SPRING, FLOAT (655100- ) .....	61			
H5	SPROCKET, CROSS AUGER BRACKETS ( -655099) .....	88			
H7	SPROCKET, CROSS AUGER BRACKETS (655100- ) .....	90			
G17	SPROCKET, ROTATING KNIFE AND DRIVES (854A, 1253A)( -630100) .....	76			
I20	SPROCKET, ROW UNIT DRIVE, L.H. (854A, 1253A)( -630100) .....	126			
I5	SPROCKET, ROW-UNIT DRIVE, R.H. (854A, 1253A)( -630100) .....	110			
I7	SPROCKETS, ROW UNIT DRIVE (854A, 1253A)( -630100) .....	112			
G11	STATIONARY KNIFE (454A, 653A) (654A, 853A)(655100- ) .....	70			
G9	STATIONARY KNIFE(453A, 454A, 653A) (654A, 655A, 853A)( -655099) .....	68			
E12	STRIPPER, MAIN FRAME ( -655099) (453A AND 454A) .....	16			
E14	STRIPPER, MAIN FRAME (655100- ) (454A) .....	18			
E22	STRIPPER, MAIN FRAME (575901-655399) (653A, 654A, 655A, 853A) .....	26			
E24	STRIPPER, MAIN FRAME (655400- ) (653A, 654A, 853A) .....	28			
F1	STRIPPER, MAIN FRAME (854A AND 1253A) ( -630100) .....	30			
F3	STRIPPER, MAIN FRAME (854A AND 1253A) ( -630100) .....	32			
K6	STUBBLE LIGHT ( -655099) .....	164			
K7	STUBBLE LIGHT (655100- ) .....	165			
K6	STUBBLE LIGHT HARNESS ( -655099) .....	164			
K7	STUBBLE LIGHT HARNESS (655100- ) .....	165			
F22	STUBBLE SHOES ( -655099) .....	55			
F23	STUBBLE SHOES (655100- ) .....	56			

MEMORANDA

MEMORANDA

**MAIN FRAME**  
(453A - ( -610150))  
(454A - ( -655099))  
HP5616 -UN-01JAN94



HP5616

## MAIN FRAME - CONTINUED

(453A - ( -610150))

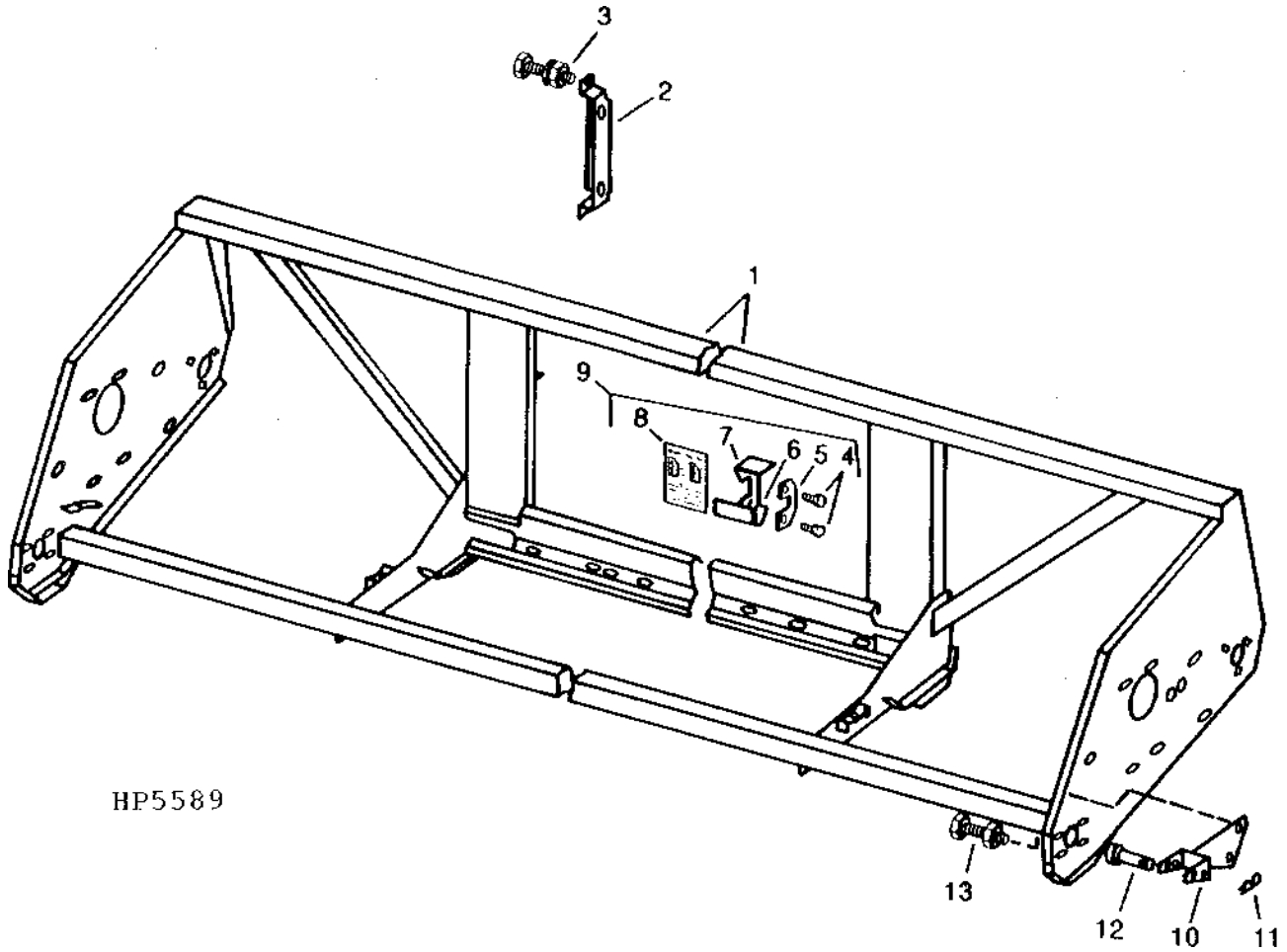
(454A - ( -655099))

KEY	PART NO.	PART NAME	QTY	SERIAL NO.	REMARKS
1	AH101467	FRAME	1	-525350	(SUB AH109673) NO LONGER AVAILABLE
	AH109673	FRAME	1	-575900	(SUB AH111361) NO LONGER AVAILABLE
	AH111361	FRAME	1		(453A) NO LONGER AVAILABLE
	AH101468	FRAME	1	-525350	(SUB AH109674)
	AH109674	FRAME	1	-575900	(SUB AH111362)
	AH111362	FRAME	1	-620133	(454A) (SUB AH121536)
	AH121536	FRAME	1	620134-630100	(454A) (SUB AH132339)
	AH132339	FRAME	1	-630122	(454A) (SUB AH135357)
	AH135357	FRAME	1	-640100	(454A) (SUB AH136229)
	AH136229	FRAME	1		(454A)
2	H88591	SUPPORT	1		(453A, -610100;454A, -610200) (SUB AH117531)
	AH117531	SUPPORT	1		R.H. (453A,610101- ;454A,610201- )
3	03H1540	BOLT	AR		5/16" X 3/4"
	A22698	NUT	AR		7.925 MM
4A	09H1587	BOLT	4	-620100	5/8" X 2"
	12H294	LOCK WASHER	4	-620100	5/8"
	14H1039	NUT	4	-620100	5/8"
4B	03H1629	BOLT	6	-630100	5/8" X 2-1/4"
	12H294	LOCK WASHER	6	-630100	5/8"
	14H760	NUT	6	-630100	5/8"
4C	19M7784	SCREW	2		(USE WITH QUIK-TACH OR NEW SERVICE FRAME)
5A	H91615	PLATE	2	-620100	
5B	H133619	BRACKET	1	-630100	R.H.
	H133620	BRACKET	1	-630100	L.H.
5C	H137143	PLATE	1		(USE WITH QUIK-TACH OR NEW SERVICE FRAME)
6A	24H1825	WASHER	4	-620100	11/16" X 1-1/2" X 0.194"
6B	H124261	SPACER	6	-630100	
7	.....	REINFORCEMENT	1		(USE WITH QUIK-TACH OR NEW SERVICE FRAME)
8	.....	PLATE	1		(USE WITH QUIK-TACH OR NEW SERVICE FRAME)
	.....	PLATE	1		(USE WITH QUIK-TACH OR NEW SERVICE FRAME)
9	H136751	DECAL	1		(INSTALLED ON L.H. SIDE OF BACKSHEET ONLY)
10	AH134684	PIN	1		R.H. (LATCH PIN ASSY)
	AH134685	PIN	1		L.H. (LATCH PIN ASSY)
11	AH93540	SUPPORT	2		
12	J16931	SPRING LOCKING PIN	2	-426350	
	M40461	SPRING LOCKING PIN	2	426351-	
13	C1099E	PIN	2		DRILLED
14	19H1936	CAP SCREW	4		3/8" X 3/4"
	12H304	LOCK WASHER	4		3/8"
	14H812	NUT	4		3/8"

# E10

50A SERIES ROW-CROP HEADS

MAIN FRAME  
(454A) (655100- )  
HP5589 -UN-01JAN94



# E11

**MAIN FRAME - CONTINUED**  
**(454A) (655100- )**

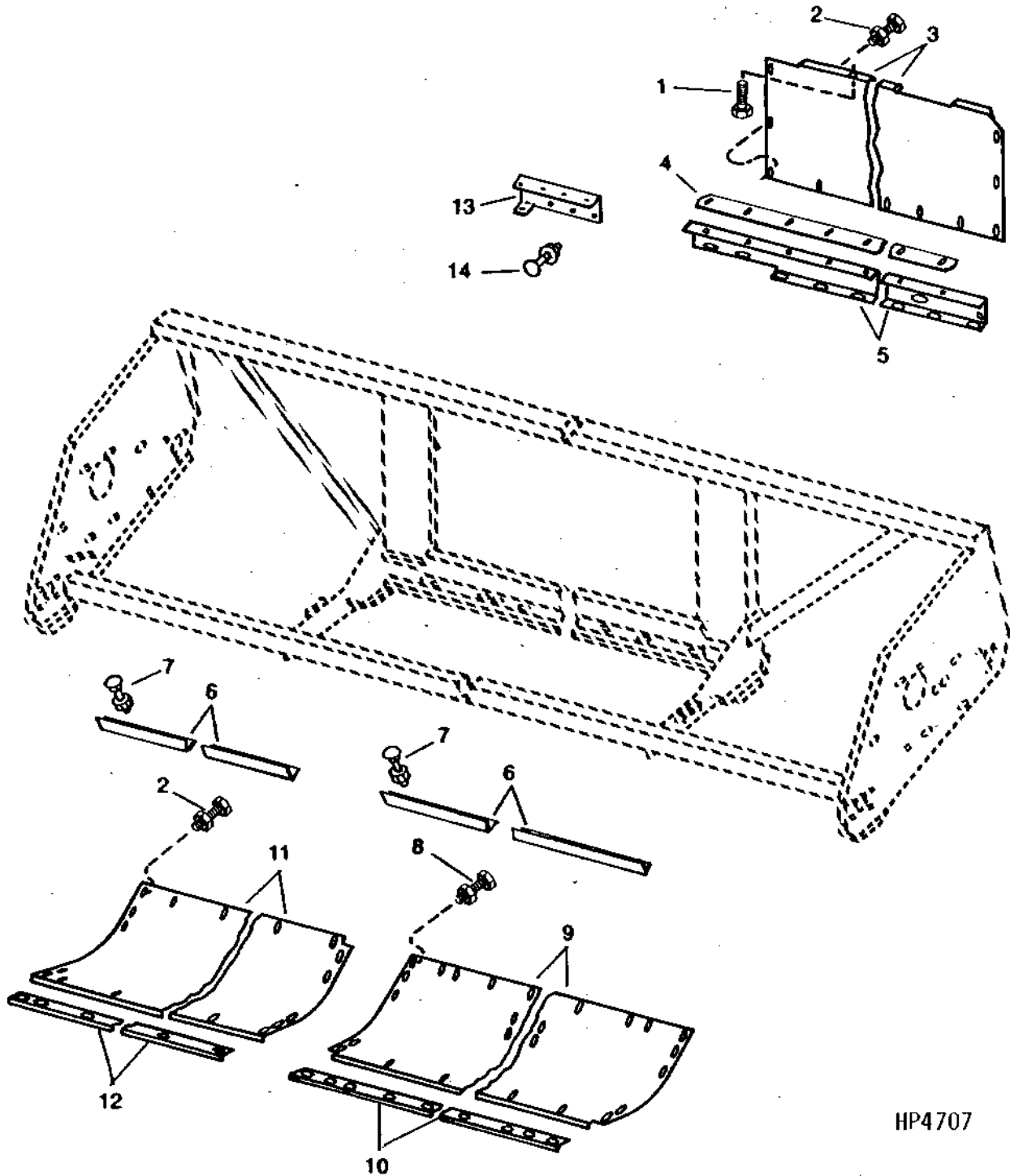
KEY	PART NO.	PART NAME	QTY	SERIAL NO.	REMARKS
1	AH136229	FRAME	1		
2	AH117531	SUPPORT	1	R.H.	
3	03M7184	BOLT	AR	M8 X 20	
	14M7298	FLANGE NUT	AR	M8	
4	19M7784	SCREW	2	(USE WITH QUIK-TACH OR NEW SERVICE FRAME)	
5	H137143	PLATE	1	(USE WITH QUIK-TACH OR NEW SERVICE FRAME)	
6	.....	REINFORCEMENT	1	(USE WITH QUIK-TACH OR NEW SERVICE FRAME)	
7	.....	PLATE	1	(USE WITH QUIK-TACH OR NEW SERVICE FRAME)	
	.....	PLATE	1	(USE WITH QUIK-TACH OR NEW SERVICE FRAME)	
8	H136751	DECAL	1	(INSTALLED ON L.H. SIDE OF BACKSHEET ONLY)	
9	AH134684	PIN	1	R.H. (LATCH PIN ASSY)	
	AH134685	PIN	1	L.H. (LATCH PIN ASSY)	
10	AH93540	SUPPORT	2		
11	M40461	SPRING LOCKING PIN	2		
12	C1099E	PIN	2	DRILLED	
13	19M7784	SCREW	4	M10 X 20	
	12H304	LOCK WASHER	4	3/8"	
	14M7296	FLANGE NUT	4	M10	

# E12

50A SERIES ROW-CROP HEADS

## SHEETS, STRIPPERS AND REINFORCEMENT ON MAIN FRAME

(453A - (-610150))  
(454A - (-655099))  
HP4707 -UN-01JAN94



HP4707



## SHEETS, STRIPPERS AND REINFORCEMENT ON MAIN FRAME - CONTINUED

(453A - ( -610150))

(454A - ( -655099))

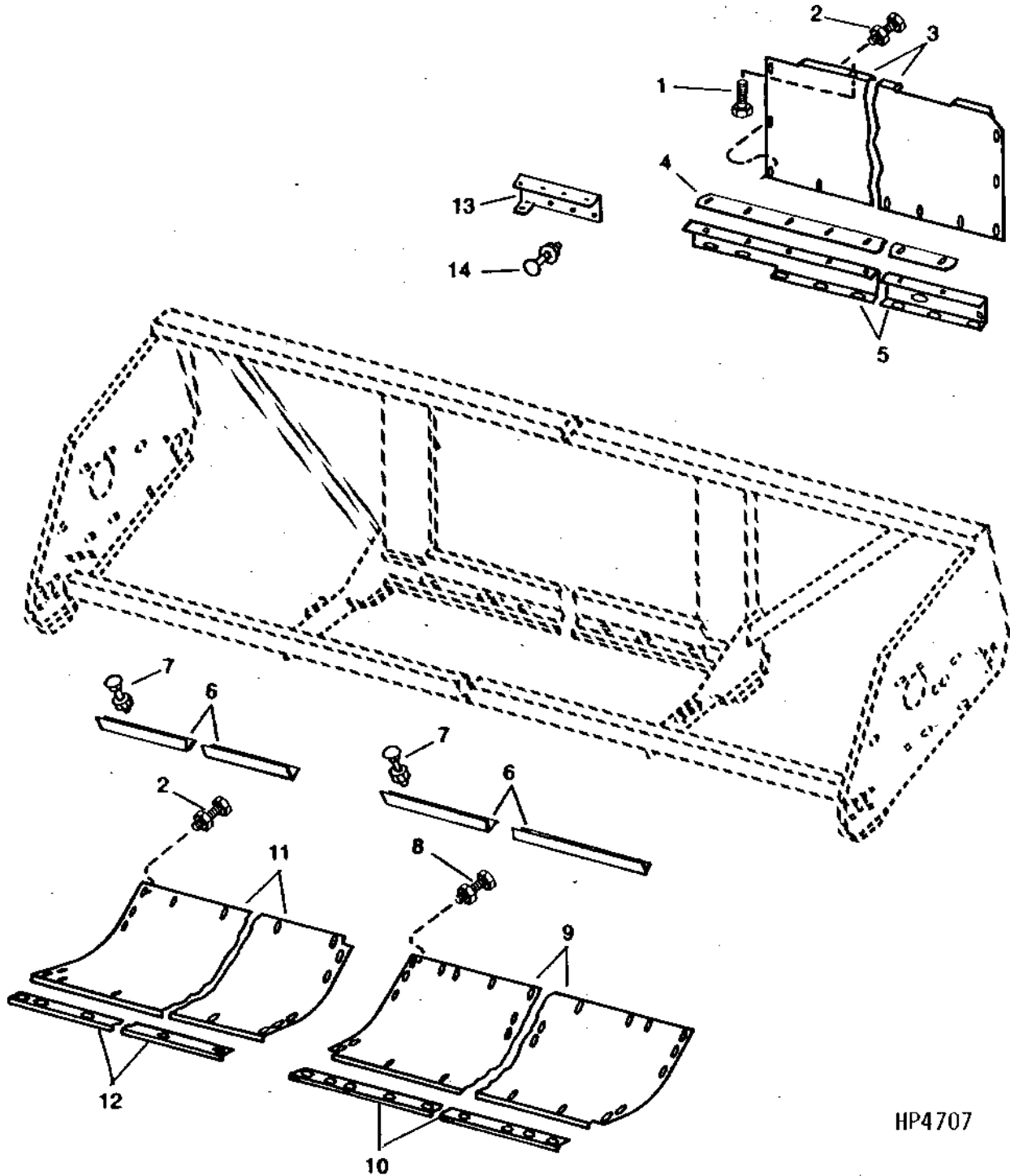
KEY	PART NO.	PART NAME	QTY	SERIAL NO.	REMARKS
1	H65108	SCREW	2		
2	03H1540	BOLT	AR	5/16" X 3/4"	
	A22698	NUT	AR	7.925 MM (5/16")	
3	H88685	SHEET	1		R.H. (453A)
	H96713	SHEET	1	-640100	R.H. (454A) (SUB H141774)
	H141774	SHEET	1		R.H. (454A)
	H88686	SHEET	1	-525350	(SUB H111544)
	H111544	SHEET	1		L.H. (453A)
	H96714	SHEET	1	-525350	(SUB H111545)
	H111545	SHEET	1	-640100	L.H. (454A) (SUB H141775)
	H141775	SHEET	1		L.H. (454A)
4	H135900	STRIPPER	2	620134-	(454A)
5	H88687	STRIPPER	1		R.H. (453A) CUT TO FIT, (SUB H134194)
	H134194	STRIPPER	1		R.H. (453A)
	H96710	STRIPPER	1	-620133	R.H. (454A) (SUB H134192)
	H134192	STRIPPER	1	620134-	R.H. (454A) (SUB H134196) CUT TO FIT
	H88688	STRIPPER	1		L.H. (453A) CUT TO FIT, (SUB H134195)
	H134195	STRIPPER	1		L.H. (453A)
	H96711	STRIPPER	1	-620133	L.H. (454A) (SUB H134193)
	H134193	STRIPPER	1	620134-	L.H. (454A) (SUB H134197) CUT TO FIT
6	H105161	STRIPPER	2		(454A)
7	03H1540	BOLT	13		(454A)
	A22698	NUT	13		7.925 MM (5/16")
8	03H1524	BOLT	AR		5/16" X 1"
	A22698	NUT	AR		7.925 MM (5/16")
9	H88585	SHEET	1	-575900	CENTER (453A)
	H113302	SHEET	1	575901-	CENTER (453A)
	H96712	SHEET	1	-575900	CENTER (454A)
	H113303	SHEET	1	575901-620133	CENTER (454A) (SUB H134204)
	H134204	SHEET	1	-640100	CENTER (454A) (SUB H142095)
	H142095	SHEET	1		(454A)
10	H88587	REINFORCEMENT	1	-575900	CENTER (453A) (NO LONGER AVAILABLE)
	H113291	REINFORCEMENT	1	575901-	CENTER (453A)
	H96707	REINFORCEMENT	1	-575900	CENTER (454A)
	H113292	REINFORCEMENT	1	575901-	CENTER (454A)
11	H88689	SHEET	1	-575900	R.H. (453A) (NO LONGER AVAILABLE)
	H96715	SHEET	1	-575900	R.H. (454A)
	H113304	SHEET	1	575901-	R.H. (454A)
	H88690	SHEET	1	-575900	L.H. (453A) (NO LONGER AVAILABLE)
	H96716	SHEET	1	-575900	L.H. (454A)
	H113305	SHEET	1	575901-	L.H. (454A)
12	H88691	REINFORCEMENT	2	-575900	(453A) (NO LONGER AVAILABLE)
	H96708	REINFORCEMENT	1	-575900	R.H. (454A)
	H113293	REINFORCEMENT	1	575901-	R.H. (454A)
	H96709	REINFORCEMENT	1	-575900	L.H. (454A) (NO LONGER AVAILABLE)
	H113294	REINFORCEMENT	1	575901-	L.H. (454A)
13	H134218	STRIPPER	1		R.H. (EXTENSION)
	H134219	STRIPPER	1		L.H. (EXTENSION)
14	03H1500	BOLT	4		3/8" X 1"
	E55662	FLANGE NUT	4		3/8"

# E14

50A SERIES ROW-CROP HEADS

SHEETS, STRIPPERS AND REINFORCEMENT ON MAIN FRAME

(454A) (655100- )  
HP4707 -UN-01JAN94



HP4707

# E15

50A SERIES ROW-CROP HEADS

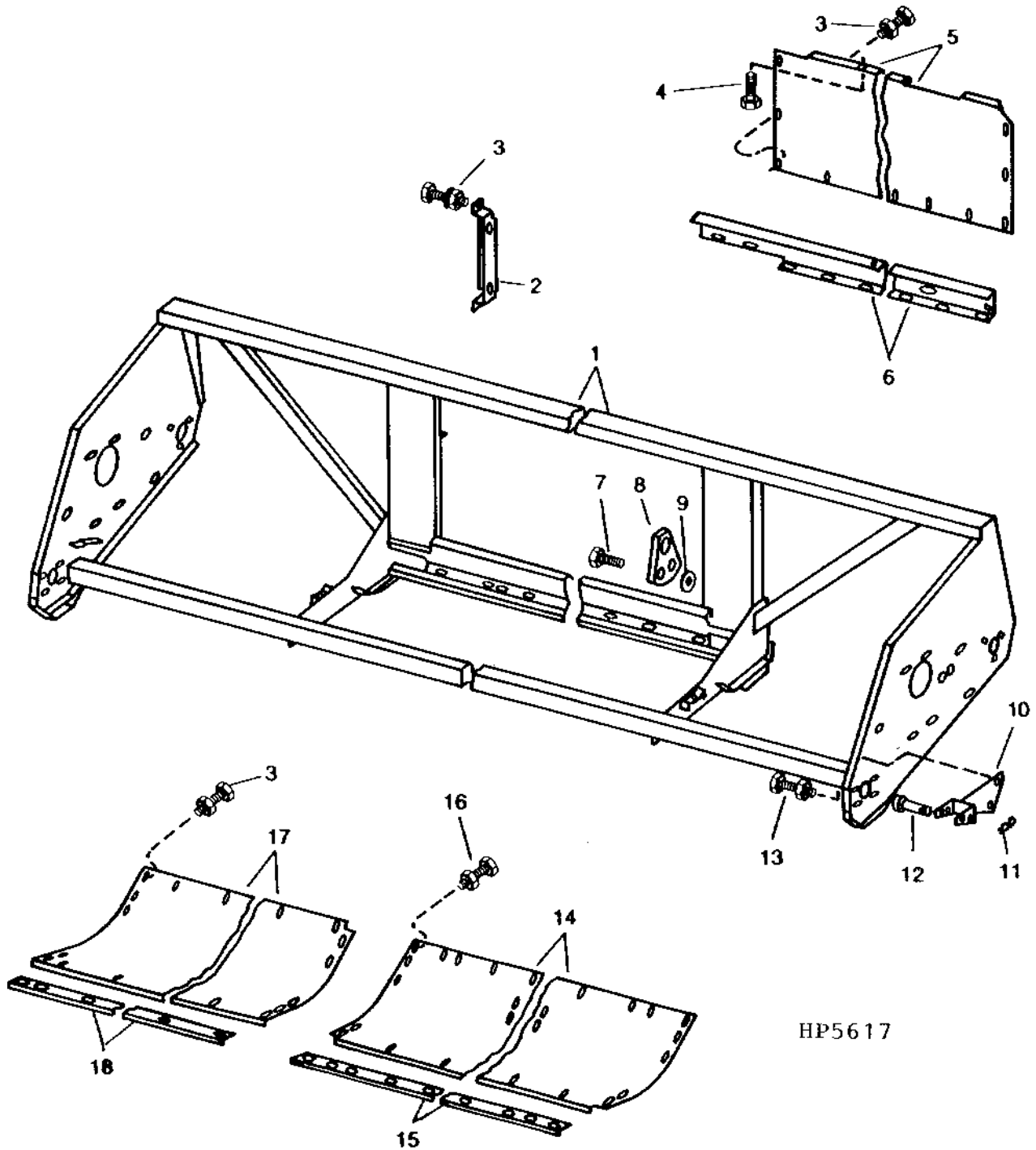
**SHEETS, STRIPPERS AND REINFORCEMENT ON MAIN FRAME - CONTINUED  
(454A) (655100- )**

KEY	PART NO.	PART NAME	QTY	SERIAL NO.	REMARKS
1	37M7083	SCREW	2		M8 X 12
2	03M7184	BOLT	AR		M8 X 20
	14M7298	FLANGE NUT	AR		M8
3	H141774	SHEET	1		R.H.
	H141775	SHEET	1		L.H.
4	H135900	STRIPPER	2		
5	H134197	STRIPPER	1		L.H. CUT TO FIT
6	H105161	STRIPPER	2		
7	03M7184	BOLT	13		
	14M7298	FLANGE NUT	13		M8
8	03M7185	BOLT	AR		M8 X 25
	14M7298	FLANGE NUT	AR		M8
9	H142095	SHEET	1		
10	H113292	REINFORCEMENT	1		CENTER
11	H113304	SHEET	1		R.H.
	H113305	SHEET	1		L.H.
12	H113293	REINFORCEMENT	1		R.H.
	H113294	REINFORCEMENT	1		L.H.
13	H134218	STRIPPER	1		R.H. (EXTENSION)
	H134219	STRIPPER	1		L.H. (EXTENSION)
14	03M7191	BOLT	4		M10 X 25
	14M7296	FLANGE NUT	4		M10

# E16

50A SERIES ROW-CROP HEADS

MAIN FRAME  
(653A, 654A, 655A, AND 853A)  
(-575900)  
HP5617 -UN-01JAN94



HP5617

# E17

50A SERIES ROW-CROP HEADS

**MAIN FRAME - CONTINUED**  
**(653A, 654A, 655A, AND 853A)**  
**( -575900)**

KEY	PART NO.	PART NAME	QTY	SERIAL NO.	REMARKS	
1	AH101470	FRAME	1	-525350	(SUB AH109676)	
	AH109676	FRAME	1	-575900	(SUB AH111363)	
	AH111363	FRAME	1		(653A) (SUB AH121537)	
	AH101471	FRAME	1	-525350	(SUB AH109677)	
	AH109677	FRAME	1	-575900	(SUB AH111364)	
	AH111364	FRAME	1	-575900	(654A) (SUB AH122163)	
	AH122163	FRAME	1		(654A) (SUB AH121538)	
	AH101473	FRAME	1	-525350	(SUB AH109679)	
	AH109679	FRAME	1	-575900	(655A AND 853A) (SUB AH112884 OR AH111365)	
2	AH112884	FRAME	1		(655A) (SUB AH121122)	
	AH111365	FRAME	1		(853A) (SUB AH121539)	
2	H88591	SUPPORT	1		R.H.	
3	03H1540	BOLT	AR		5/16" X 3/4"	
	A22698	NUT	AR		7.925 MM (5/16")	
4	H65108	SCREW	AR		(4 USED-653A; 8 USED-654A; 10 USED-655A AND 853A)	
5	H96736	SHEET	1		R.H. (653A)	
	H94134	SHEET	1		R.H. (654A)	
	H92231	SHEET	1		R.H. (655A AND 853A)	
	H96737	SHEET	1	-525350	(SUB H111547)	
	H111547	SHEET	1		L.H. (653A)	
	H94135	SHEET	1	-525350	(SUB H111548)	
	H111548	SHEET	1		L.H. (654A)	
	H92196	SHEET	1	-525350	(SUB H111550)	
	H111550	SHEET	1		L.H. (655A AND 853A)	
	6	H96734	STRIPPER	1	-620383	R.H. (653A) (SUB H134194)
		H134194	STRIPPER	1	620384-	
		H94136	STRIPPER	1	-620332	R.H. (654A) (SUB H134196)
H134196		STRIPPER	1	620333-		
H92175		STRIPPER	1		R.H. (655A AND 853A) (SUB H134198)	
H96735		STRIPPER	1	-620383	L.H. (653A) (SUB H134195)	
H134195		STRIPPER	1	620384-		
H94137		STRIPPER	1	-620332	L.H. (654A) (SUB H134197)	
H134197		STRIPPER	1	620333-		
H92179		STRIPPER	1		L.H. (655A AND 853A) (SUB H134199)	
7	09H1587	BOLT	4		5/8" X 2"	
	12H294	LOCK WASHER	4		5/8"	
	14H1039	NUT	4		5/8"	
8	H91615	PLATE	2			
9	24H1825	WASHER	4		11/16" X 1-1/2" X 0.194"	
10	AH93540	SUPPORT	2			
11	J16931	SPRING LOCKING PIN	2	-426350		
	M40461	SPRING LOCKING PIN	2	426351-		
12	C1099E	PIN	2			
13	19H1936	CAP SCREW	4		3/8" X 3/4"	
	12H304	LOCK WASHER	4		3/8"	
	14H812	NUT	4		3/8"	
14	H96712	SHEET	1		(653A)	
	H91864	SHEET	1		(654A, 655A, AND 853A)	
15	H96707	REINFORCEMENT	1		(653A)	
	H91863	REINFORCEMENT	1		(654A, 655A, AND 853A)	
16	03H1524	BOLT	AR		5/16" X 1"	
	A22698	NUT	AR		7.925 MM (5/16")	
17	H96738	SHEET	1		R.H. (653A)	
	H94138	SHEET	1		R.H. (654A)	
	H92279	SHEET	1		R.H. (655A AND 853A)	
	H96739	SHEET	1		L.H. (653A)	
	H94139	SHEET	1		L.H. (654A)	
	H92275	SHEET	1		L.H. (655A AND 853A)	
18	H96732	REINFORCEMENT	1		R.H. (653A) (NO LONGER AVAILABLE)	
	H94140	REINFORCEMENT	1		R.H. (654A) (NO LONGER AVAILABLE)	
	H92290	REINFORCEMENT	1		R.H. (655A AND 853A)	
	H96733	REINFORCEMENT	1		L.H. (653A)	
	H94141	REINFORCEMENT	1		L.H. (654A) (NO LONGER AVAILABLE)	
	H92286	REINFORCEMENT	1		L.H. (655A AND 853A)	

# E18

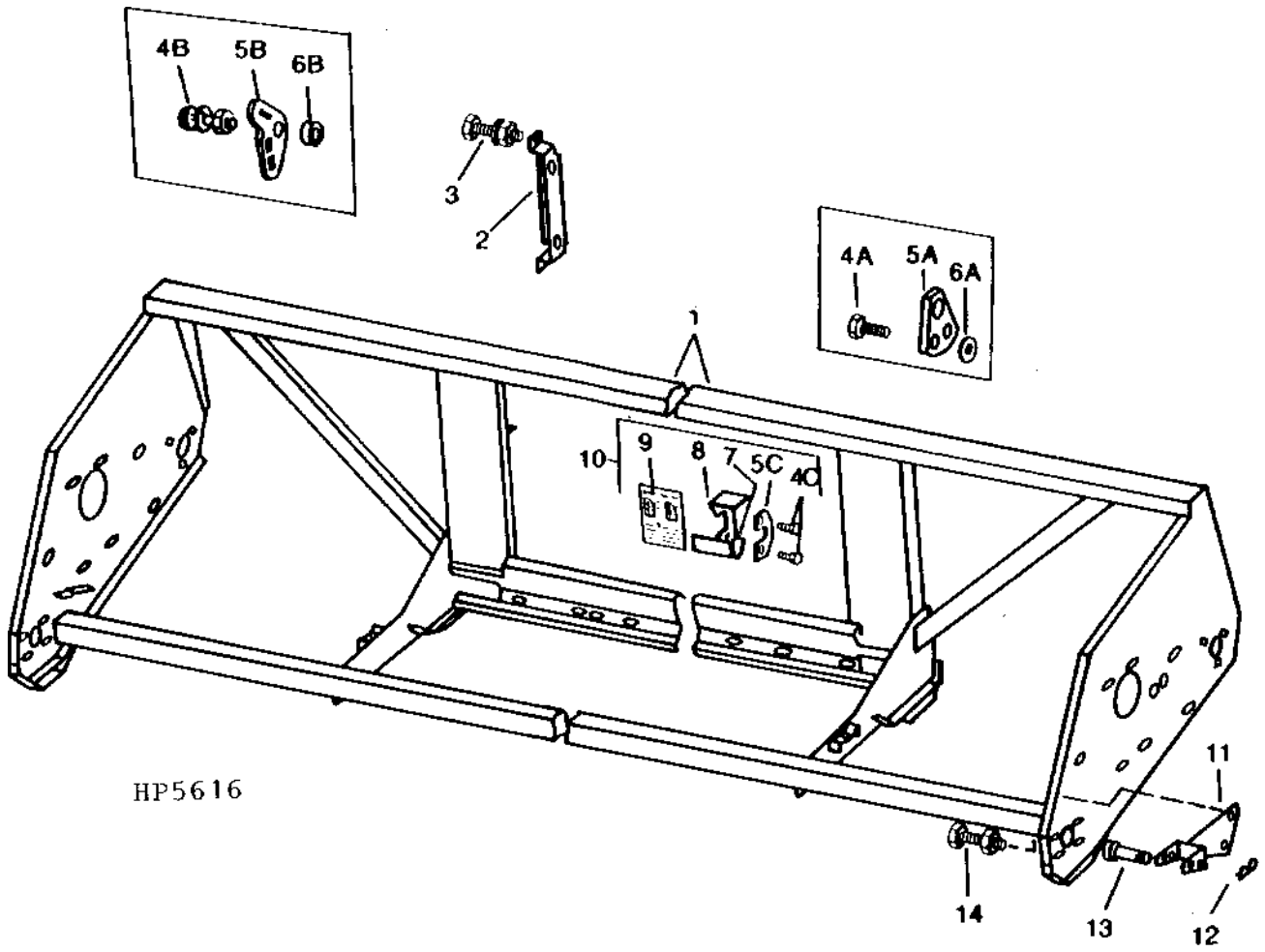
50A SERIES ROW-CROP HEADS

## MAIN FRAME

(655A - (575901-610450)

(653A, 654A, AND 853A - (575901-655399))

HP5616 -UN-01JAN94



# E19

50A SERIES ROW-CROP HEADS

**MAIN FRAME - CONTINUED**

(655A - (575901-610450))

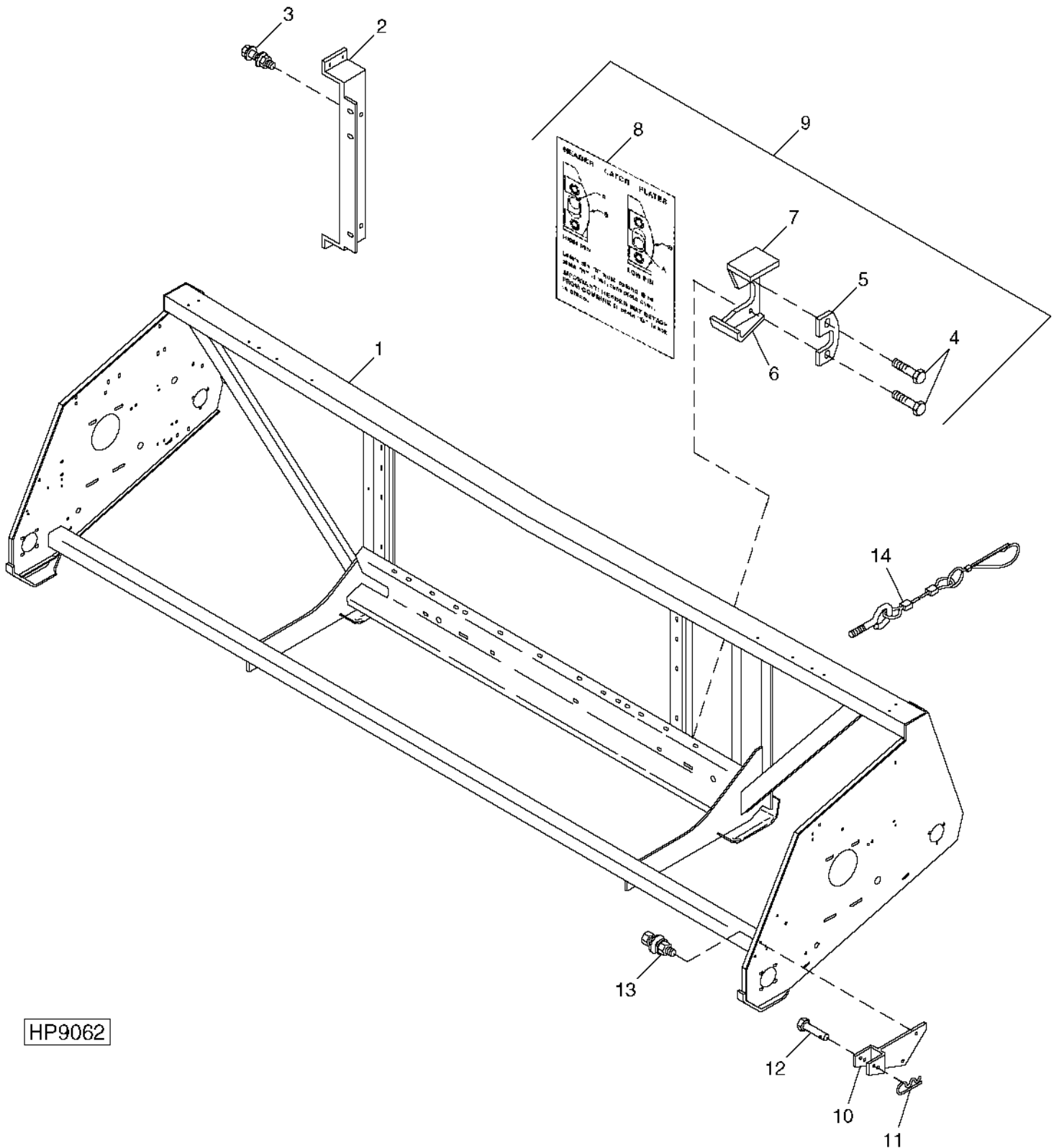
(653A, 654A, AND 853A - (575901-655399))

KEY	PART NO.	PART NAME	QTY	SERIAL NO.	REMARKS
1	AH111363	FRAME	1	-620364	(653A) (SUB AH121537)
	AH121537	FRAME	1	620365-630200	(653A) (SUB AH132340)
	AH132340	FRAME	1	-630356	(653A) (SUB AH134882)
	AH134882	FRAME	1	-640200	(653A) (SUB AH136230)
	AH136230	FRAME	1		(653A) (SUB AH141281)
	AH141281	FRAME	1	645101-	
	AH122163	FRAME	1	-620333	(654A) (SUB FOR AH111364) (SUB AH121538)
	AH121538	FRAME	1	620334-630300	(654A) (SUB AH132341)
	AH132341	FRAME	1	-630317	(654A) (SUB AH134881)
	AH134881	FRAME	1	-640300	(654A) (SUB AH136231)
2	AH136231	FRAME	1		(654A)
	AH112884	FRAME	1	-620488	(655A) (SUB AH121122)
	AH121122	FRAME	1	620489-630100	(655A) (SUB AH132342)
	AH132342	FRAME	1		(655A)
	AH111365	FRAME	1	-620488	(853A) (SUB AH121539)
	AH121539	FRAME	1	620489-630400	(853A) (SUB AH132343)
	AH132343	FRAME	1	-630505	(853A) (SUB AH134879)
	AH134879	FRAME	1	-640400	(853A) (SUB AH136232)
	AH136232	FRAME	1		(853A)
	2	H88591	SUPPORT	1	-610300
	AH117531	SUPPORT	1		
3	03H1540	BOLT	AR		5/16" X 3/4"
	A22698	NUT	AR		7.925 MM (5/16")
4A	09H1587	BOLT	4	-620100	5/8" X 2"
	12H294	LOCK WASHER	4	-620100	5/8"
	14H1039	NUT	4	-620100	5/8"
4B	03H1629	BOLT	6	-630300	5/8" X 2-1/4"
	12H294	LOCK WASHER	6	-630300	5/8"
	14H760	NUT	6	-630300	5/8"
4C	19M7784	SCREW	2		M10 X 20 (USE WITH QUIK-TACH OR NEW SERVICE FRAME)
5A	H91615	PLATE	2	-620100	
5B	H133619	BRACKET	1	-630300	R.H.
	H133620	BRACKET	1	-630300	L.H.
5C	H137143	PLATE	1		(USE WITH QUIK-TACH OR NEW SERVICE FRAME)
6A	24H1825	WASHER	4	-620100	11/16" X 1-1/2" X 0.194"
6B	H124261	SPACER	6	-630300	
7	.....	REINFORCEMENT	1		(USE WITH QUIK-TACH OR NEW SERVICE FRAME)
8	.....	PLATE	1		(USE WITH QUIK-TACH OR NEW SERVICE FRAME)
	.....	PLATE	1		(USE WITH QUIK-TACH OR NEW SERVICE FRAME)
9	H136751	DECAL	1		(INSTALLED ON L.H. SIDE OF BACKSHEET ONLY)
10	AH134684	PIN	1		R.H. (LATCH PIN ASSY)
	AH134685	PIN	1		L.H. (LATCH PIN ASSY)
11	AH93540	SUPPORT	2		
12	M40461	SPRING LOCKING PIN	2		
13	C1099E	PIN	2		
	19H1936	CAP SCREW	4		3/8" X 3/4"
	12H304	LOCK WASHER	4		3/8"
	14H812	NUT	4		3/8"

# E20

50A SERIES ROW-CROP HEADS

MAIN FRAME  
(653A, 654A AND 853A)  
(655400- )  
HP9062 -UN-16SEP99



HP9062



# E21

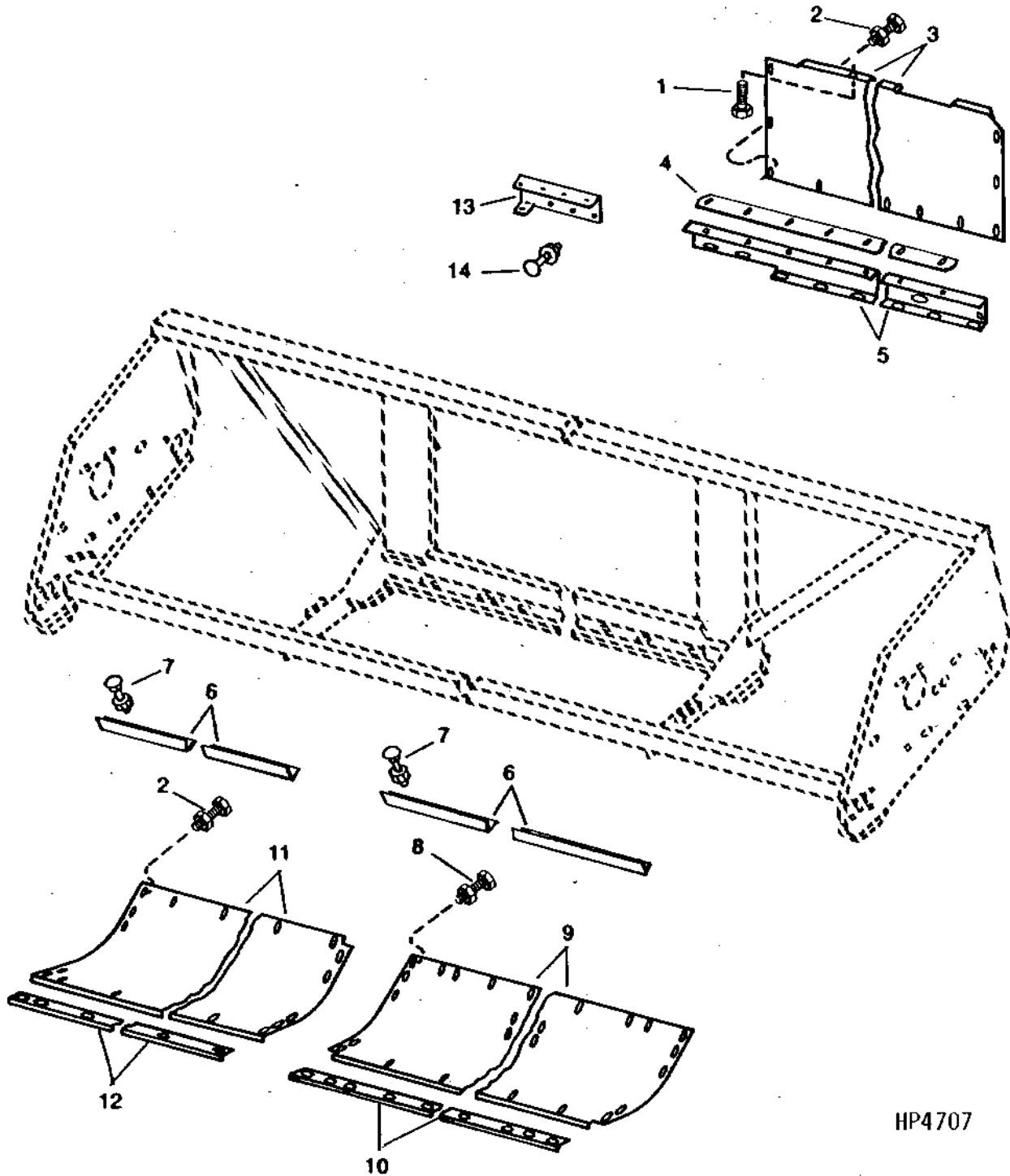
**MAIN FRAME - CONTINUED**  
**(653A, 654A, AND 853A)**  
**(655400- )**

KEY	PART NO.	PART NAME	QTY	SERIAL NO.	REMARKS
1	AH141281	FRAME	1	-685100	(653A) SUB AH162428
	AH162428	MAIN FRAME	1	685101-	
	AH136231	FRAME	1	-685100	(654A) SUB AH162429
	AH162429	MAIN FRAME	1	685101-	
	AH136232	FRAME	1	-685100	(853A) SUB AH162430
	AH162430	FRAME	1	685101-	
2	AH117531	SUPPORT	1		
3	03M7184	BOLT	AR		M8 X 20
	14M7298	FLANGE NUT	AR		M8
4	19M7784	SCREW	2		M10 X 20 (USE WITH QUIK-TACH OR NEW SERVICE
					FRAME)
5	H137143	PLATE	1		(USE WITH QUIK-TACH OR NEW SERVICE FRAME)
6	.....	REINFORCEMENT	1		(USE WITH QUIK-TACH OR NEW SERVICE FRAME)
7	.....	PLATE	1		(USE WITH QUIK-TACH OR NEW SERVICE FRAME)
	.....	PLATE	1		(USE WITH QUIK-TACH OR NEW SERVICE FRAME)
8	H136751	DECAL	1		(INSTALLED ON L.H. SIDE OF BACKSHEET ONLY)
9	AH134684	PIN	1		R.H. (LATCH PIN ASSY)
	AH134685	PIN	1		L.H. (LATCH PIN ASSY)
10	AH93540	SUPPORT	2		
11	M40461	SPRING LOCKING PIN	2		
12	C1099E	PIN	2		
13	19M7784	SCREW	4		M10 X 20
	12H304	LOCK WASHER	4		3/8"
	14M7296	FLANGE NUT	4		M10
14	AH143319	CABLE	2		(FOR TELESCOPING BACKSHAFT)
	14M7296	FLANGE NUT	4		M10

# E22

50A SERIES ROW-CROP HEADS

SHEETS, STRIPPERS AND REINFORCEMENTS ON MAIN FRAME  
(653A, 654A, 655A AND 853A)  
(575901-655399)  
HP4707 -UN-01JAN94



HP4707

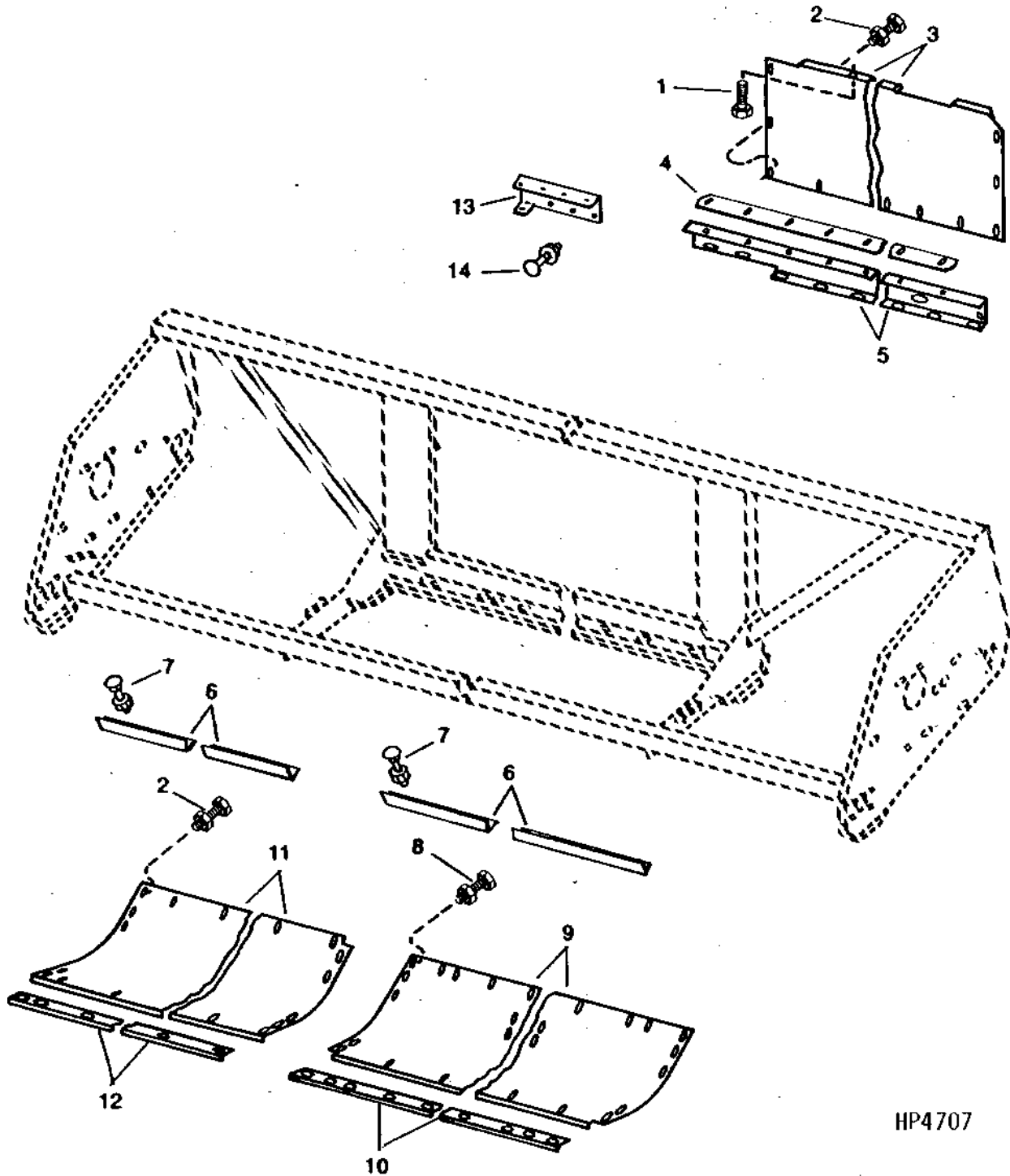
**SHEETS, STRIPPERS AND REINFORCEMENT ON MAIN FRAME - (CONTINUED)**  
**(653A, 654A, 655A AND 853A)**  
**(575901-655399)**

KEY	PART NO.	PART NAME	QTY	SERIAL NO.	REMARKS
1	H65108	SCREW	AR		(4 USED-653A,8 USED-654A, 10 USED-655A,843A)
2	03H1540	BOLT	AR		5/16" X 3/4"
	A22698	NUT	AR		7.925 MM (5/16")
3	H96736	SHEET	1	-640200	R.H. (653A) (SUB H141776)
	H141776	SHEET	1		R.H. (653A) (SUB H147580)
	H94134	SHEET	1	-640300	R.H. (654A) (SUB H141778)
	H141778	SHEET	1		R.H. (654A)
	H92231	SHEET	1	-640400	R.H. (655A AND 853A) (SUB H141780)
	H141780	SHEET	1		R.H. (853A)
	H111547	SHEET	1	-640200	L.H. (653A) (SUB H141777)
	H141777	SHEET	1		L.H. (653A) (SUB H147581)
	H111548	SHEET	1	-640300	L.H. (654A) (SUB H141779)
	H141779	SHEET	1		L.H. (654A)
	H111550	SHEET	1	-640400	L.H. (655A AND 853A) (SUB H141781)
	H141781	SHEET	1		L.H. (853A)
4	H131552	STRIPPER	2	620365-	(653A)
	H135901	STRIPPER	2	620334-	(654A)
	H131555	STRIPPER	2	620489-	(655A AND 853A)
5	H96734	STRIPPER	1	-620364	R.H. (653A) (SUB H134194)
	H134194	STRIPPER	1	620365-	R.H. (653A) (SUB H147578)
	H94136	STRIPPER	1	-620333	R.H. (654A) (SUB H134196)
	H134196	STRIPPER	1	620334-	R.H. (654A)
	H92175	STRIPPER	1	-620488	R.H. (655A AND 853A) (SUB H134198)
	H134198	STRIPPER	1	620489-	R.H. (655A AND 853A)
	H96735	STRIPPER	1	-620364	L.H. (653A) (SUB H134195)
	H134195	STRIPPER	1	620365-	L.H. (653A) (SUB H147579)
	H94137	STRIPPER	1	-620333	L.H. (654A) (SUB H134197)
	H134197	STRIPPER	1	620334-	L.H. (654A)
	H92179	STRIPPER	1	-620488	L.H. (655A AND 853A) (SUB H134199)
	H134199	STRIPPER	1	620489-	L.H. (655A AND 853A)
6	H105161	STRIPPER	2		(653A)
	H105163	STRIPPER	2		(654A)
	H105165	STRIPPER	2		(655A AND 853A)
7	03H1540	BOLT	AR		5/16" X 3/4" (653A, 19 USED; 654A, 28 USED; 655A AND 853A, 32 USED)
	A22698	NUT	AR		7.925 MM (5/16")
8	03H1524	BOLT	AR		5/16" X 1"
	A22698	NUT	AR		7.925 MM (5/16")
9	H113303	SHEET	1	-620364	(653A) (SUB H134204)
	H134204	SHEET	1	-640100	(653A) (SUB H142095)
	H142095	SHEET	1		(653A)
	H127045	SHEET	1		(654A,-620333;655A,853A,-620488) (SUB FOR H113308) (SUB H134205)
	H134205	SHEET	1	-640100	(654A,655A,853A) (SUB H142096)
	H142096	SHEET	1		(654A, 853A)
10	H113292	REINFORCEMENT	1		(653A)
	H127046	REINFORCEMENT	1		(654A, 655A, AND 853A) (SUB FOR H113297)
11	H113306	SHEET	1		R.H. (653A)
	H113309	SHEET	1		R.H. (654A)
	H113311	SHEET	1		R.H. (655A AND 853A)
	H113307	SHEET	1		L.H. (653A)
	H113310	SHEET	1		L.H. (654A)
	H113312	SHEET	1		L.H. (655A AND 853A)
12	H113295	REINFORCEMENT	1		R.H. (653A)
	H113298	REINFORCEMENT	1		R.H. (654A)
	H113300	REINFORCEMENT	1		R.H. (655A AND 853A)
	H113296	REINFORCEMENT	1		L.H. (653A)
	H113299	REINFORCEMENT	1		L.H. (654A)
	H113301	REINFORCEMENT	1		L.H. (655A AND 853A)
13	H134218	STRIPPER	1		R.H. (EXTENSION)
	H134219	STRIPPER	1		L.H. (EXTENSION)
14	03H1500	BOLT	4		3/8" X 1"
	E55662	FLANGE NUT	4		3/8"

# E24

50A SERIES ROW-CROP HEADS

SHEETS, STRIPPERS AND REINFORCEMENTS ON MAIN FRAME  
(653A, 654A AND 853A)  
(655400- )  
HP4707 -UN-01JAN94



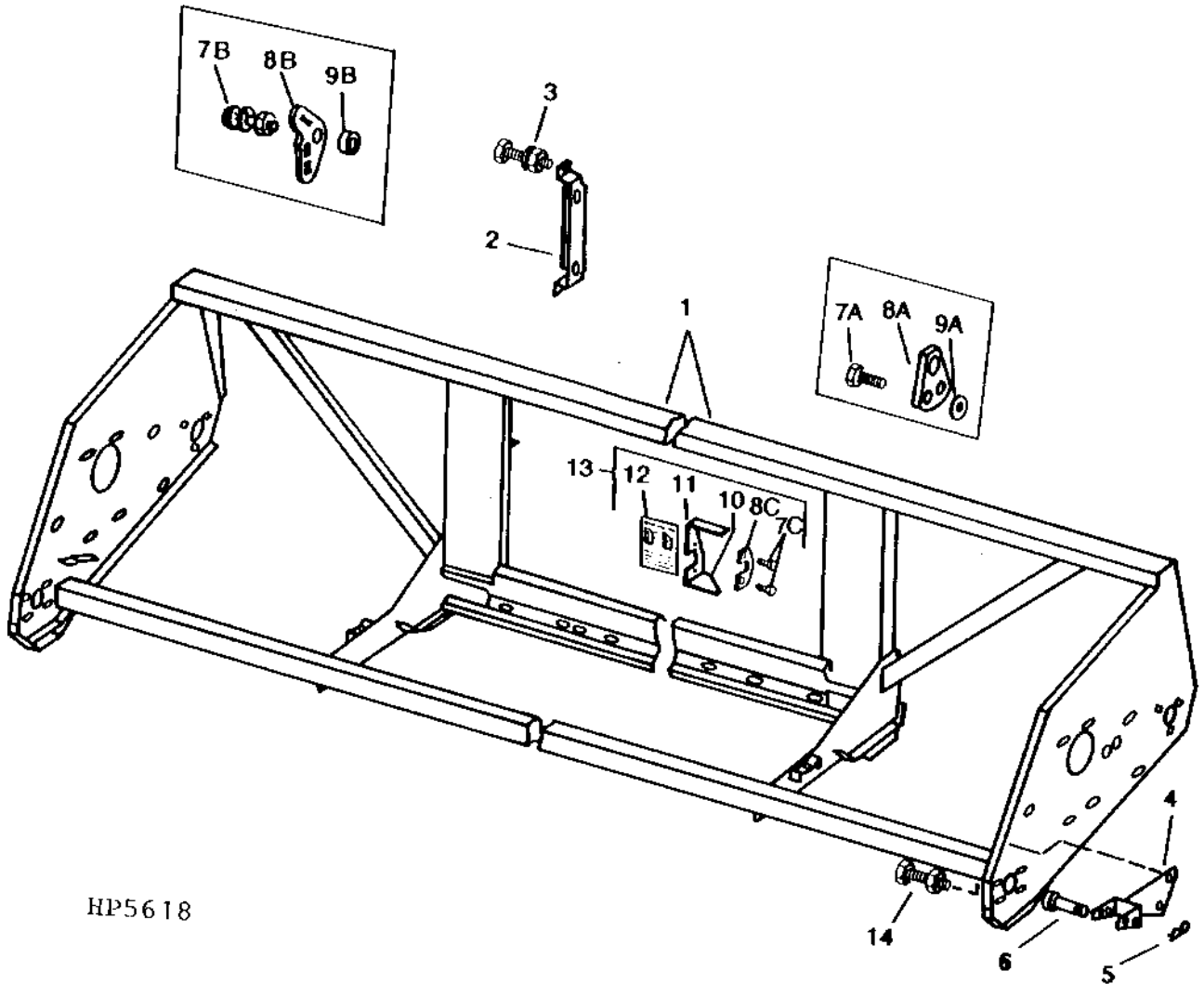
HP4707

SHEETS, STRIPPERS AND REINFORCEMENT ON MAIN FRAME - (CONTINUED)  
 (653A, 654A, AND 853A)  
 (655400- )

KEY	PART NO.	PART NAME	QTY	SERIAL NO.	REMARKS
1	37M7087	SCREW	AR	M10 X 25, (4 USED-653A,8 USED-654A, 10 USED-843A)	
2	03M7184	BOLT	AR	M8 X 20	
	14M7298	FLANGE NUT	AR	M8	
3	H147580	SHEET	1	R.H. (653A)	
	H141778	SHEET	1	R.H. (654A)	
	H141780	SHEET	1	R.H. (853A)	
	H171293	SHEET	1	L.H. (653A) SUB FOR H147581	
	H171294	SHEET	1	L.H. (654A) SUB FOR H141779	
	H171295	SHEET	1	L.H. (853A) SUB FOR H141781	
4	H131552	STRIPPER	2	(653A)	
	H135901	STRIPPER	2	(654A)	
	H131555	STRIPPER	2	(853A)	
5	H147578	STRIPPER	1	R.H. (653A)	
	H134196	STRIPPER	1	R.H. (654A)	
	H134198	STRIPPER	1	R.H. (853A)	
	H147579	STRIPPER	1	L.H. (653A)	
	H134197	STRIPPER	1	L.H. (654A)	
	H134199	STRIPPER	1	L.H. (853A)	
6	H105161	STRIPPER	2	(653A)	
	H105163	STRIPPER	2	(654A)	
	H105165	STRIPPER	2	(853A)	
7	03M7184	BOLT	AR	M8 X 20 (653A, 19 USED; 654A, 28 USED; 853A, 32 USED)	
	03M7185	BOLT	AR	M8 X 25	
8	14M7298	FLANGE NUT	AR	M8	
9	H142095	SHEET	1	(653A)	
	H142096	SHEET	1	(654A, 853A)	
10	H113292	REINFORCEMENT	1	(653A)	
	H127046	REINFORCEMENT	1	(654A AND 853A)	
11	H113306	SHEET	1	R.H. (653A)	
	H113309	SHEET	1	R.H. (654A)	
	H113311	SHEET	1	R.H. (853A)	
	H113307	SHEET	1	L.H. (653A)	
	H113310	SHEET	1	L.H. (654A)	
	H113312	SHEET	1	L.H. (853A)	
12	H113295	REINFORCEMENT	1	R.H. (653A)	
	H113298	REINFORCEMENT	1	R.H. (654A)	
	H113300	REINFORCEMENT	1	R.H. (853A)	
	H113296	REINFORCEMENT	1	L.H. (653A)	
	H113299	REINFORCEMENT	1	L.H. (654A)	
	H113301	REINFORCEMENT	1	L.H. (853A)	
13	H134218	STRIPPER	1	R.H. (EXTENSION)	
	H134219	STRIPPER	1	L.H. (EXTENSION)	
14	03M7191	BOLT	4	M10 X 25	
	14M7296	FLANGE NUT	4	M10	

# F1

MAIN FRAME  
(854A AND 1253A) ( -630100)  
HP5618 -UN-01JAN94



HP5618

# F2

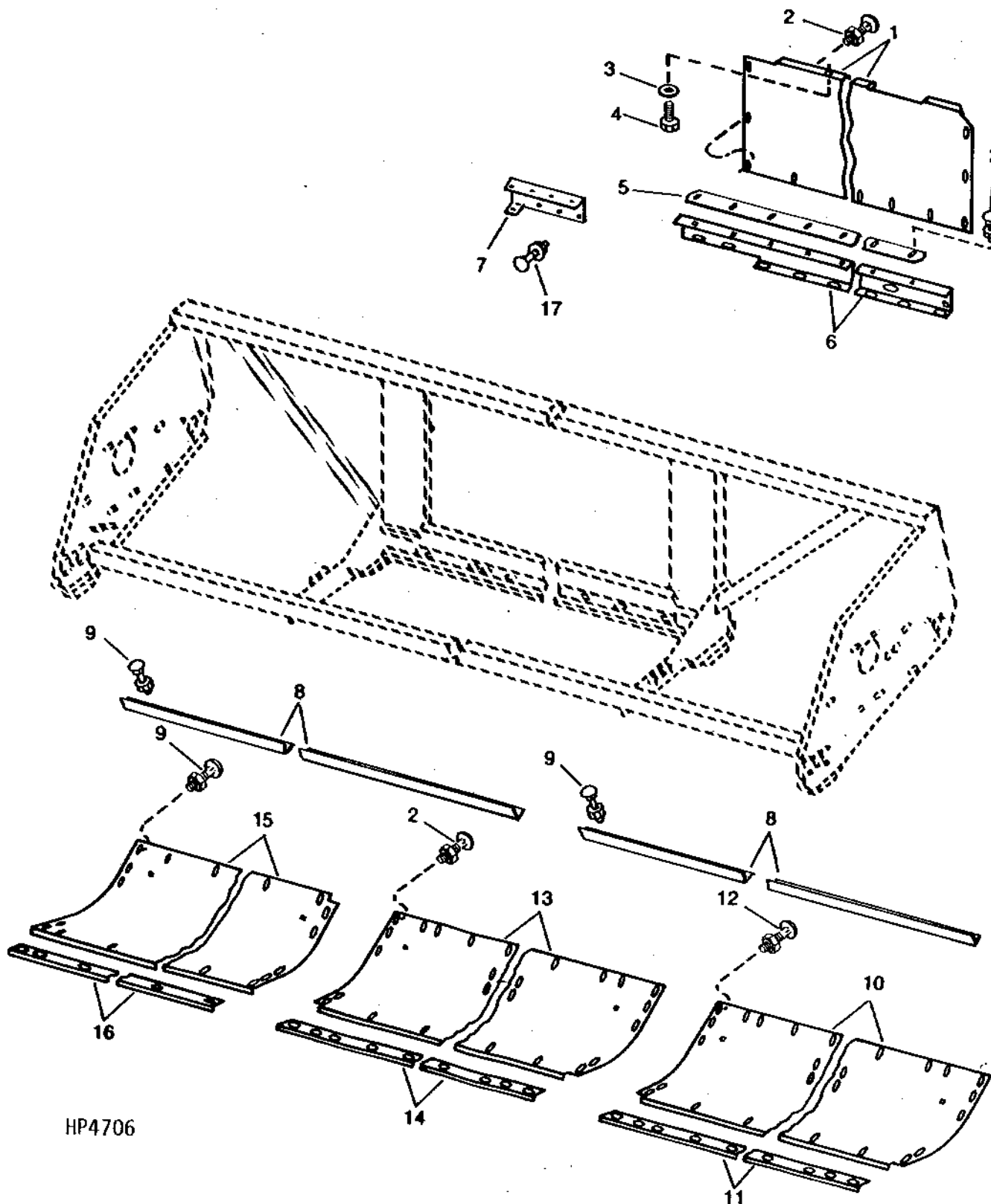
**MAIN FRAME - (CONTINUED)**  
**(854A AND 1253A) ( -630100)**

KEY	PART NO.	PART NAME	QTY	SERIAL NO.	REMARKS
1	AH107966	FRAME	1	-620463	(854A) (SUB AH121119)
	AH121119	FRAME	1	620464-	(854A) (SUB AH132344)
	AH132344	FRAME	1		(854A)
	AH107967	FRAME	1	-620550	(1253A) (SUB AH121540)
	AH121540	FRAME	1	620551-	(1253A) (SUB AH132345)
	AH132345	FRAME	1		(1253A)
2	H88591	SUPPORT	1		(854A, -610550;1253A, -610600) (SUB AH117531)
	AH117531	SUPPORT	1		R.H. (854A,610551- ;1253A,610601- )
3	03H1540	BOLT	AR		7.925 X 19.050 MM (5/16" X 3/4")
	A22698	NUT	AR		7.925 MM (5/16")
4	AH93540	SUPPORT	2		
5	M40461	SPRING LOCKING PIN	2		
6	C1099E	PIN	2		
7A	09H1587	BOLT	4	-620100	5/8" X 2"
	12H294	LOCK WASHER	4	-620100	5/8"
	14H1039	NUT	4	-620100	5/8"
7B	03H1629	BOLT	6		5/8" X 2-1/4"
	12H294	LOCK WASHER	6		5/8"
	14H760	NUT	6		5/8"
8A	H91615	PLATE	2	-620100	
8B	H133619	BRACKET	1		R.H.
	H133620	BRACKET	1		L.H.
8C	H137143	PLATE	1		(USE WITH QUIK-TACH OR NEW SERVICE FRAME)
9A	24H1825	WASHER	4	-620100	11/16" X 1-1/2" X 0.194"
9B	H124261	SPACER	6		
10	.....	REINFORCEMENT	1		(USE WITH QUIK-TACH OR NEW SERVICE FRAME)
11	.....	PLATE	1		(USE WITH QUIK-TACH OR NEW SERVICE FRAME)
	.....	PLATE	1		(USE WITH QUIK-TACH OR NEW SERVICE FRAME)
12	H136751	DECAL	1		(INSTALLED ON L.H. SIDE OF BACKSHEET ONLY)
13	AH134683	PIN	2		(1 EACH - R.H. AND L.H.) (LATCH PIN ASSY)
	19H1936	CAP SCREW	4		9.525 X 19.050 MM (3/8" X 3/4")
	12H304	LOCK WASHER	4		3/8"
	14H812	NUT	4		9.525 MM (3/8")

## SHEETS, STRIPPERS AND REINFORCEMENTS ON MAIN FRAME

(854A AND 1253A) (-630100)

HP4706 -UN-01JAN94



HP4706



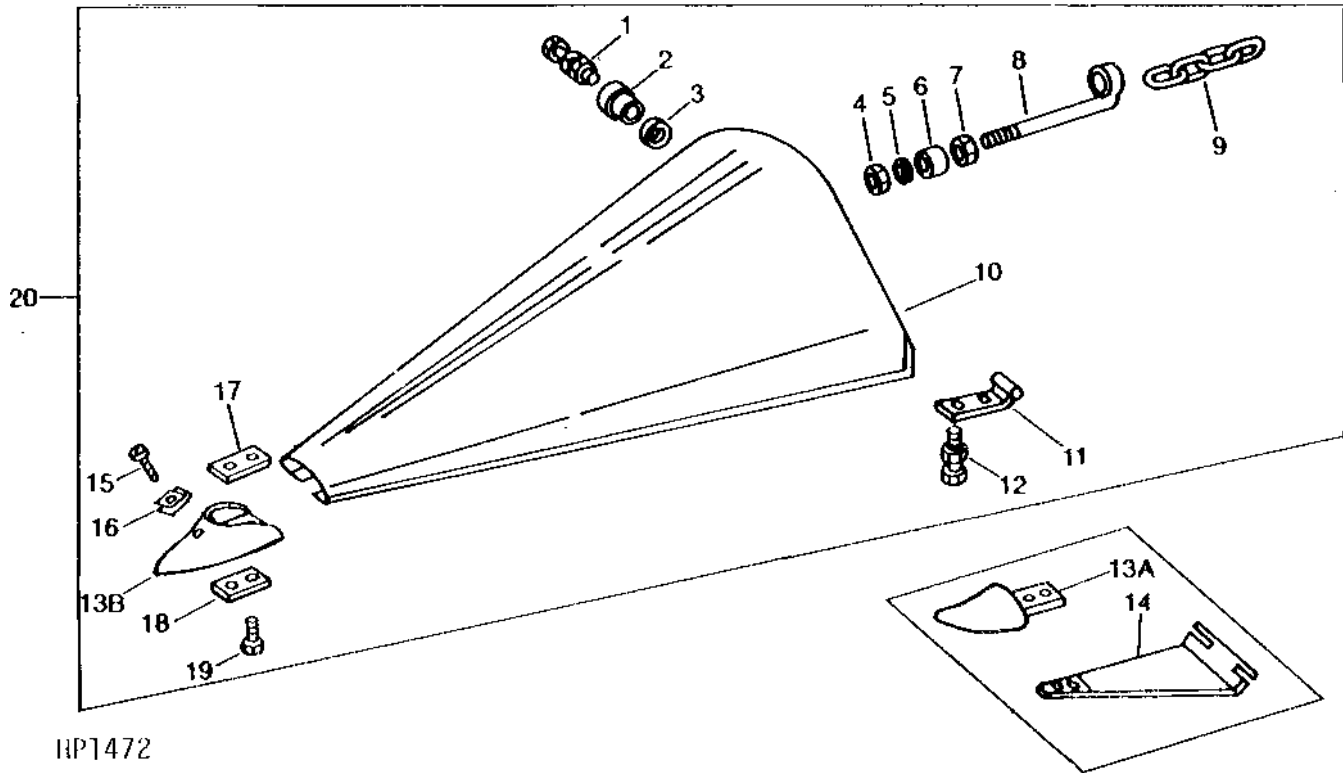
**SHEETS, STRIPPERS AND REINFORCEMENT ON MAIN FRAME - (CONTINUED)**  
**(854A AND 1253A) ( -630100)**

KEY	PART NO.	PART NAME	QTY	SERIAL NO.	REMARKS
1	H105873	SHEET	1		R.H., BACK (854A)
	H105875	SHEET	1		R.H., BACK (1253A)
	H105874	SHEET	1		L.H., BACK (854A)
2	H105876	SHEET	1		L.H., BACK (1253A)
	03H1540	BOLT	AR		7.925 X 19.050 MM
	A22698	NUT	AR		7.925 MM
3	24H1224	WASHER	AR		8.738 X 25.400 X 1.600 MM, (12 USED - 854A AND 14 USED - 1253A)
4	H76139	SCREW	AR		(12 USED - 854A AND 14 USED -1253A)
5	H131556	STRIPPER	2	620464-	(854A)
	H131557	STRIPPER	2	620551-	(1253A)
6	H105892	STRIPPER	1	-620463	R.H. (854A) (SUB H134200)
	H134200	STRIPPER	1	620464-	R.H. (854A) (SUB H134202) CUT TO FIT
	H105867	STRIPPER	1	-620550	R.H. (1253A) (SUB H134202)
	H134202	STRIPPER	1	620551-	R.H. (1253A)
7	H105893	STRIPPER	1	-620463	L.H. (854A) (SUB H134201)
	H134201	STRIPPER	1	620464-	L.H. (854A) (SUB H134203) CUT TO FIT
	H105868	STRIPPER	1	-620550	L.H. (1253A) (SUB H134203)
	H134203	STRIPPER	1	620551-	L.H. (1253A)
8	H134218	STRIPPER	1		R.H. (EXTENSION)
	H134219	STRIPPER	1		L.H. (EXTENSION)
	H105166	STRIPPER	2		(854A)
9	H105168	STRIPPER	2	-640400	(1253A) (SUB H145025)
	H145025	STRIPPER	2		
	03H1540	BOLT	AR		7.925 X 19.050 MM (22 USED-854A; 28 USED-1253A)
10	A22698	NUT	AR		7.925 MM
	H105895	SHEET	1		L.H., BOTTOM (854A)
11	H105872	SHEET	1		L.H., BOTTOM (1253A)
	H105854	REINFORCEMENT	1		L.H., BOTTOM (854A)
12	H105856	REINFORCEMENT	1		L.H., BOTTOM (1253A)
	03H1524	BOLT	AR		7.925 X 25.400 MM
	A22698	NUT	AR		7.925 MM
13	H105870	SHEET	1	-620550	CENTER, BOTTOM, (SUB H134206)
	H134206	SHEET	1		CENTER, BOTTOM
14	H105852	REINFORCEMENT	1		CENTER, BOTTOM
15	H105894	SHEET	1		R.H., BOTTOM (854A)
	H105871	SHEET	1		R.H., BOTTOM (1253A)
16	H105853	REINFORCEMENT	1		R.H., BOTTOM (854A)
	H105855	REINFORCEMENT	1		R.H., BOTTOM (1253A)
17	03H1500	BOLT	4		9.525 X 25.400 MM
	E55662	FLANGE NUT	4		9.525 MM

## OUTER GATHERER POINTS

(-655099)

HP1472 -UN-01JAN94



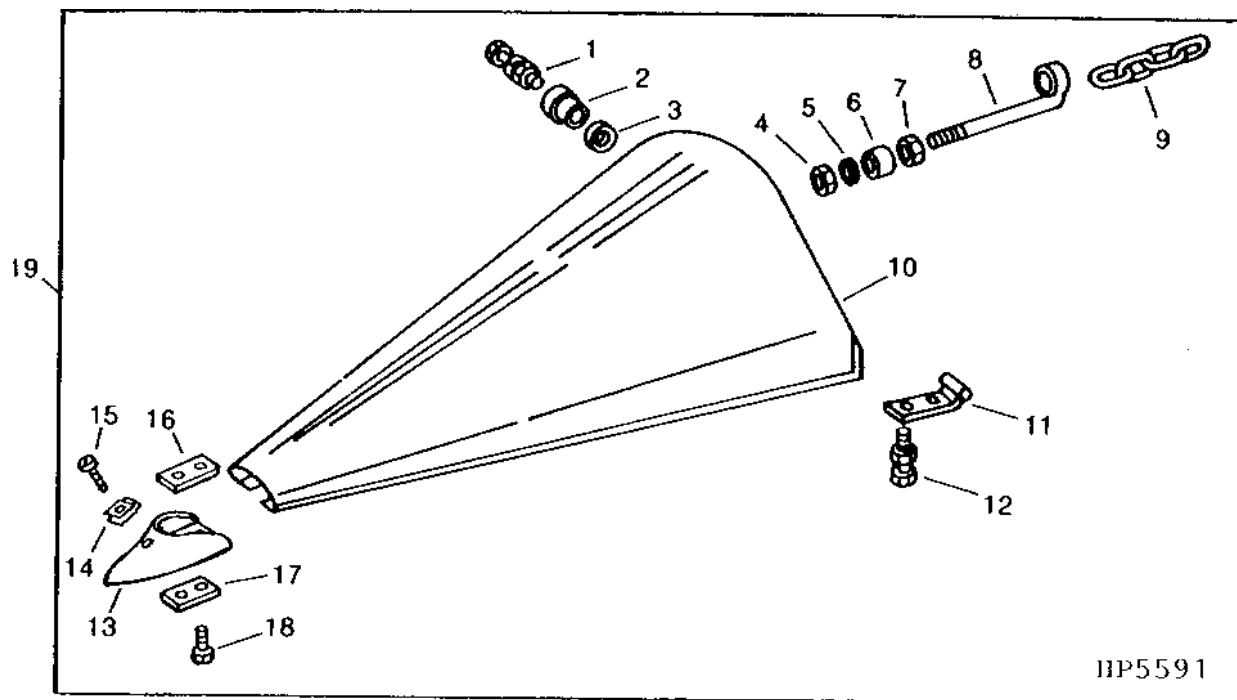
KEY	PART NO.	PART NAME	QTY	SERIAL NO.	REMARKS
1	03H1842	BOLT	2		7/16" X 2"
	12H293	LOCK WASHER	2		7/16"
	14H813	NUT	2		7/16"
2	H88704	BUSHING	2		
3	24H1327	WASHER	2		15/32" X 1-1/8" X 7/64"
4	C13443	LOCK NUT	2		11.125 MM (7/16") (SUB K40006)
	K40006	LOCK NUT	2		11.125 MM (7/16")
5	24H1327	WASHER	2		15/32" X 1-1/8" X 7/64"
6	28H1884	SPACER	2		
7	14H813	NUT	2		7/16"
8	H89211	HOOK BOLT	2		
9	AH102723	LINK CHAIN	2		
10	AH89835	GATHERER POINT	1	-525350	R.H. (SUB AH109666)
	AH109666	GATHERER POINT	1		R.H.
	AH89836	GATHERER POINT	1	-525350	(SUB AH109667)
	AH109667	GATHERER POINT	1		L.H.
11	AN102372	HINGE	1		R.H.
	AN102373	HINGE	1		L.H.
12	N10214	SELF-LOCKING SCREW	4		
	E55662	FLANGE NUT	4		
13A	N103631	SHOE	2	-525350	
13B	H102827	SHOE	2	525351-	
14	H85104	SKID PLATE	2	-525350	
15	21H993	SCREW	2	525351-	1/4" X 3/4"
	12H297	LOCK WASHER	2	525351-	1/4"
16	H102554	NUT	2	525351-	
17	AH108835	STRAP	2	525351-	
18	H102844	STRAP	2	525351-	
19	N10214	SELF-LOCKING SCREW	4	-525350	(SUB H83567, THIS APPLICATION)
	H83567	SCREW	2		
20	AH108657	GATHERER POINT	1	525351-	L.H. (453A, 454A, 653A, 654A, 655A AND 853A)
	AH108658	GATHERER POINT	1	525351-	R.H. (453A, 454A, 653A, 654A, 655A AND 853A)

# F6

50A SERIES ROW-CROP HEADS

## OUTER GATHERER POINTS

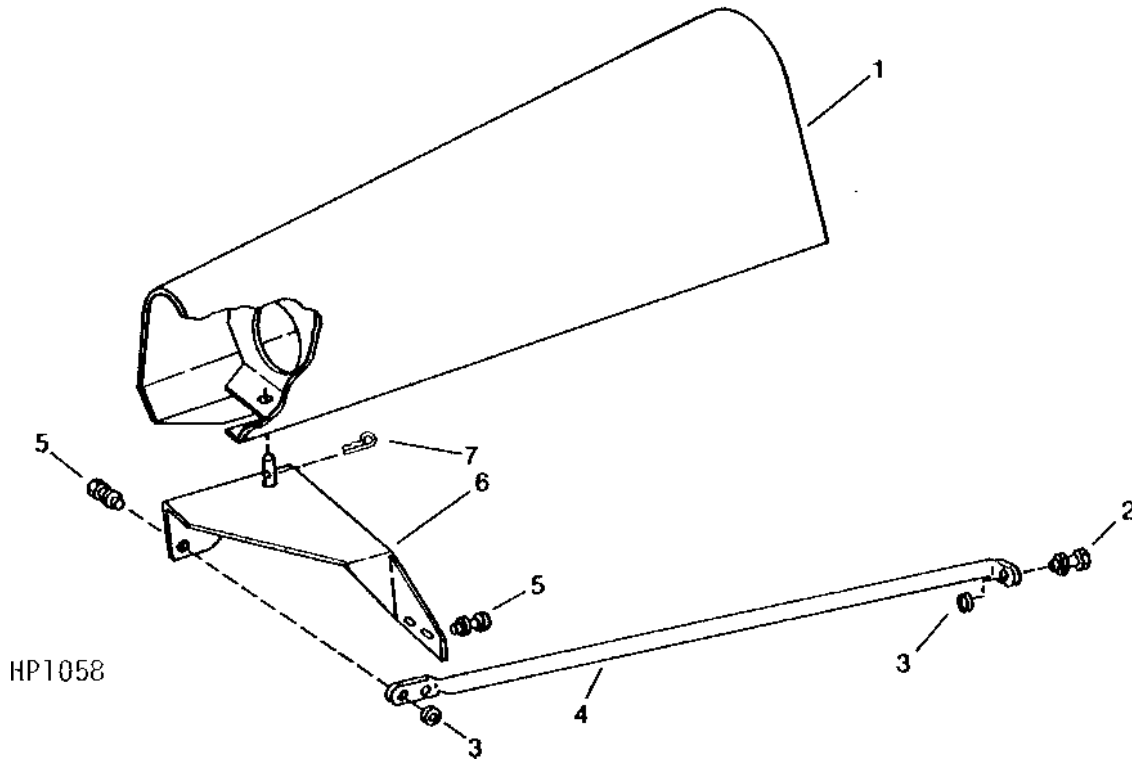
(655100- )  
HP5591 -UN-01JAN94



KEY	PART NO.	PART NAME	QTY	SERIAL NO.	REMARKS
1	03H1842	BOLT	2	7/16" X 2"	
	12H293	LOCK WASHER	2	7/16"	
	14H813	NUT	2	7/16"	
2	H88704	BUSHING	2		
3	24H1327	WASHER	2	15/32" X 1-1/8" X 7/64"	
4	K40006	LOCK NUT	2	11.125 MM (7/16")	
5	24H1327	WASHER	2	15/32" X 1-1/8" X 7/64"	
6	28H1884	SPACER	2		
7	14H813	NUT	2	7/16"	
8	H89211	HOOK BOLT	2		
9	AH102723	LINK CHAIN	2		
10	AH109666	GATHERER POINT	1	R.H.	
	AH109667	GATHERER POINT	1	L.H.	
11	AN102372	HINGE	1	R.H.	
	AN102373	HINGE	1	L.H.	
12	37M7080	SCREW	4	M10 X 30	
	E55662	FLANGE NUT	4		
	H102827	SHOE	2		
14	21H993	SCREW	2	1/4" X 3/4"	
	12H297	LOCK WASHER	2	1/4"	
15	H102554	NUT	2		
16	AH108835	STRAP	2		
17	H102844	STRAP	2		
18	37M7080	SCREW	2		
19	AH108657	GATHERER POINT	1	L.H. (454A, 653A, 654A AND 853A)	
	AH108658	GATHERER POINT	1	R.H. (454A, 653A, 654A AND 853A)	

**OUTER GATHERER SHEETS**

(-655099)  
 HP1058 -UN-01JAN94

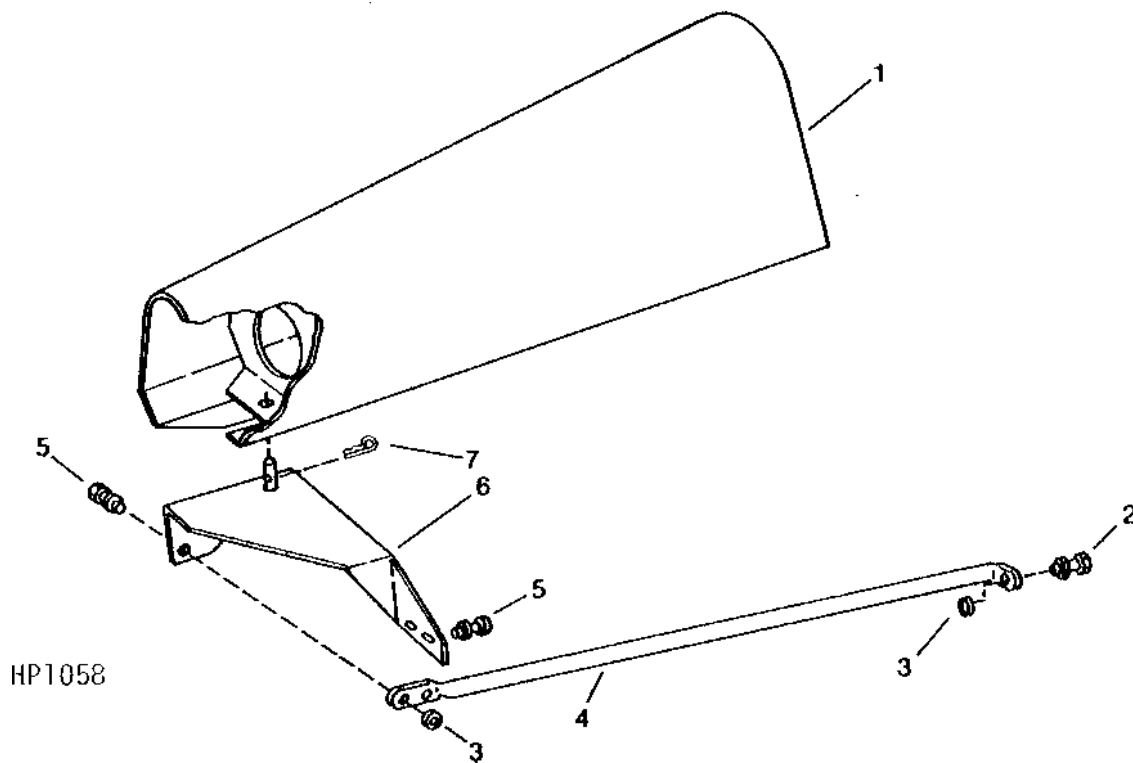


KEY	PART NO.	PART NAME	QTY	SERIAL NO.	REMARKS
1	AH101613	SHIELD	1	L.H.	
	AH101612	SHIELD	1	R.H.	
2	19H1765	CAP SCREW	2	3/8" X 1-3/4"	
	12H304	LOCK WASHER	2	3/8"	
	14H812	NUT	2	3/8"	
3	24H1305	WASHER	10	13/32" X 13/16" X 0.065"	
4	H88978	BRACE	2	(453A, -610100;454A, -610200;653A, -610300; 654A, -610400;655A, -610450;853A, -610500; 854A, -610550;1253A, -610600) (SUB AH117530)	
5	AH117530	BRACE	2		
	03H1500	BOLT	10	3/8" X 1"	
	12H304	LOCK WASHER	10	3/8"	
	14H812	NUT	10	3/8"	
6	AH101614	SUPPORT	1	R.H.	
	AH101615	SUPPORT	1	L.H.	
7	J16931	SPRING LOCKING PIN	2	-426350	
	M40461	SPRING LOCKING PIN	2	426351-	

# F8

**OUTER GATHERER SHEETS**

(655100- )  
 HP1058 -UN-01JAN94



KEY	PART NO.	PART NAME	QTY	SERIAL NO.	REMARKS
1	AH101613	SHIELD	1	L.H.	
	AH101612	SHIELD	1	R.H.	
2	03M7190	BOLT	2	M10 X 20	
	12H304	LOCK WASHER	2	3/8"	
	14M7296	FLANGE NUT	2	M10	
3	24H1305	WASHER	10	13/32" X 13/16" X 0.065"	
4	AH117530	BRACE	2		
5	03M7191	BOLT	10	M10 X 25	
	12H304	LOCK WASHER	10	3/8"	
	14M7296	FLANGE NUT	10	M10	
6	AH101614	SUPPORT	1	R.H.	
	AH101615	SUPPORT	1	L.H.	
7	M40461	SPRING LOCKING PIN	2		

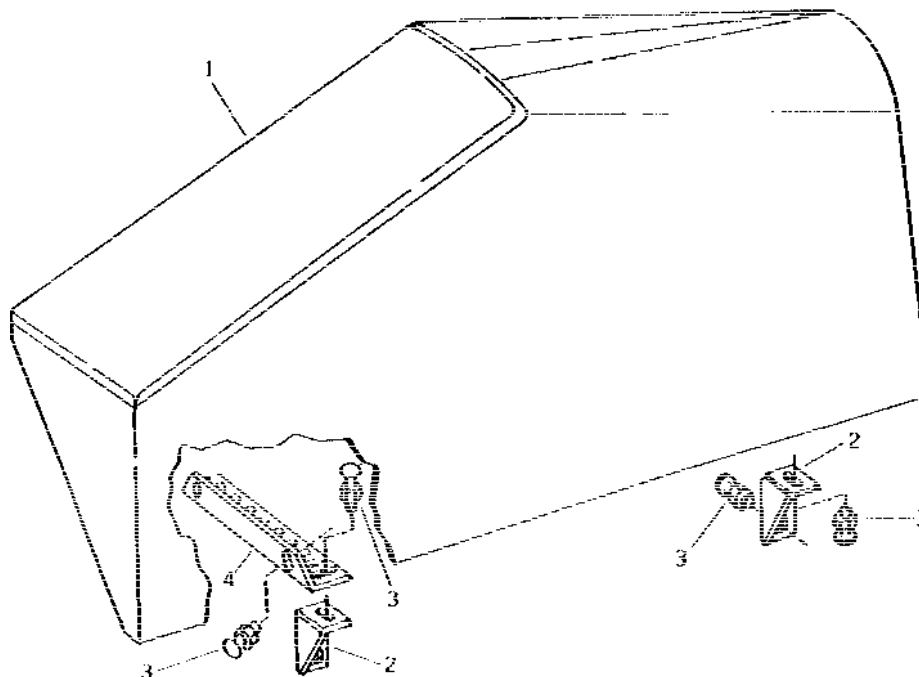
---

MEMORANDA

**OUTER GATHERER SHIELDS**

(-655099)

H32970 -UN-01JAN94



H32970

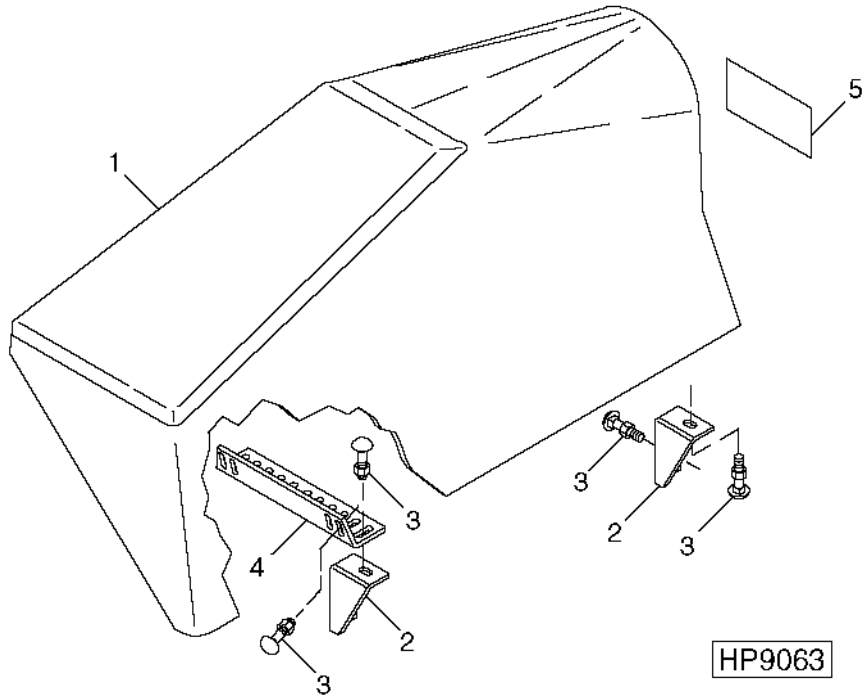
KEY	PART NO.	PART NAME	QTY	SERIAL NO.	REMARKS
1	AH102872	SHIELD	1		R.H.
	AH102873	SHIELD	1		L.H.
2	H88717	BRACKET	4		
3	03H1540	BOLT	16		5/16" X 3/4"
	A22698	NUT	1		7.925 MM (5/16")
4	H88715	BRACKET	1	-630900	(SUB H140125) R.H.
	H88716	BRACKET	1	-630900	(SUB H140125) L.H.
	H140125	BRACKET	2		

# F10

50A SERIES ROW-CROP HEADS

## OUTER GATHERER SHIELDS

(655100- )  
HP9063 -UN-21DEC99



KEY	PART NO.	PART NAME	QTY	SERIAL NO.	REMARKS
1	AH102872	SHIELD	1	R.H.	
	AH102873	SHIELD	1	L.H.	
2	H88717	BRACKET	4		
3	03M7184	BOLT	16	M8 X 20	
	14M7298	FLANGE NUT	1	M8	
4	H140125	BRACKET	2		
5	JD5920	REFLECTOR	1	RED	



MEMORANDA

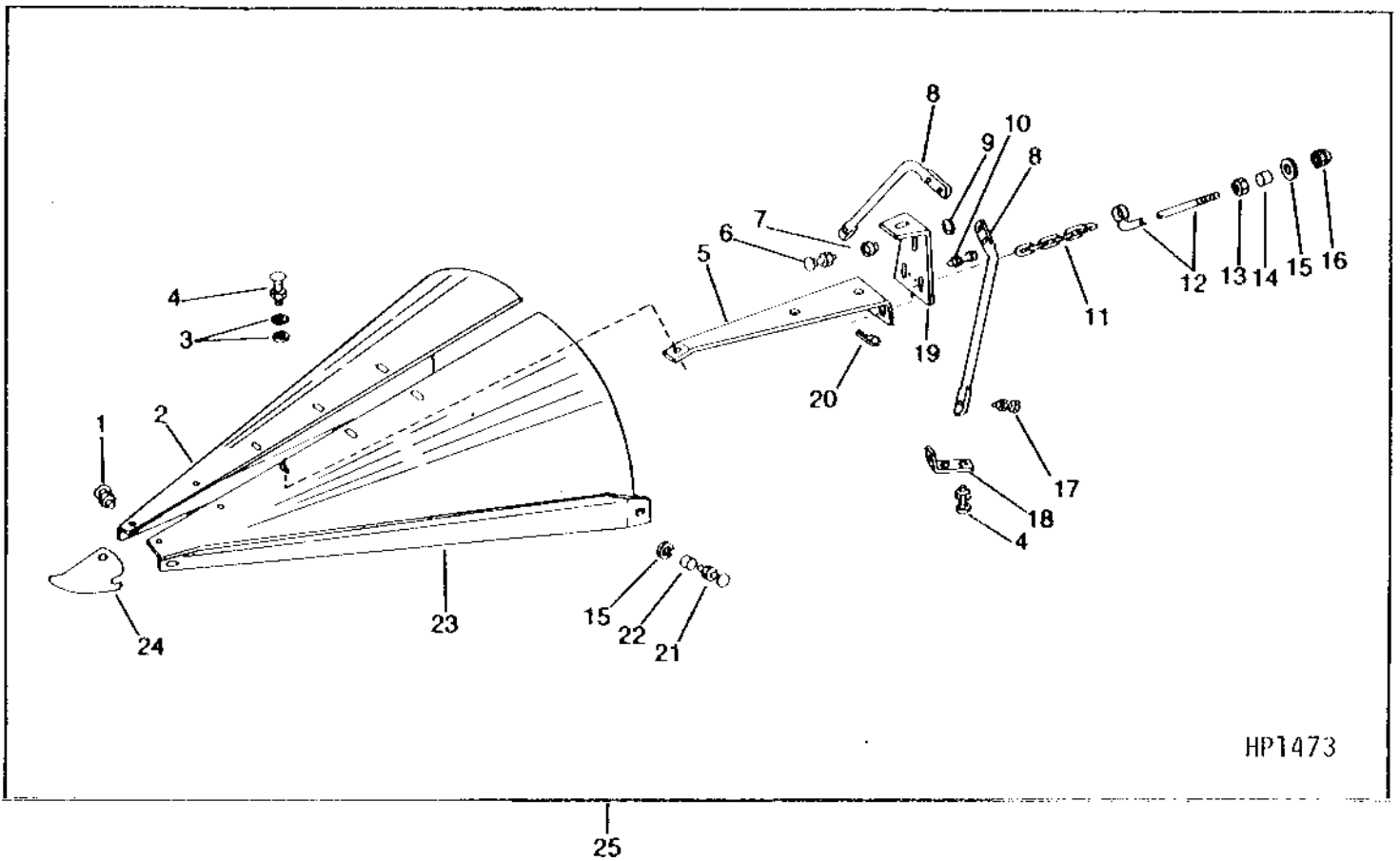
# F11

50A SERIES ROW-CROP HEADS

## CENTER GATHERER POINTS

(-655099)

HP1473 -UN-01JAN94



HP1473

# F12

50A SERIES ROW-CROP HEADS

**CENTER GATHERER POINTS - CONTINUED**  
( -655099)

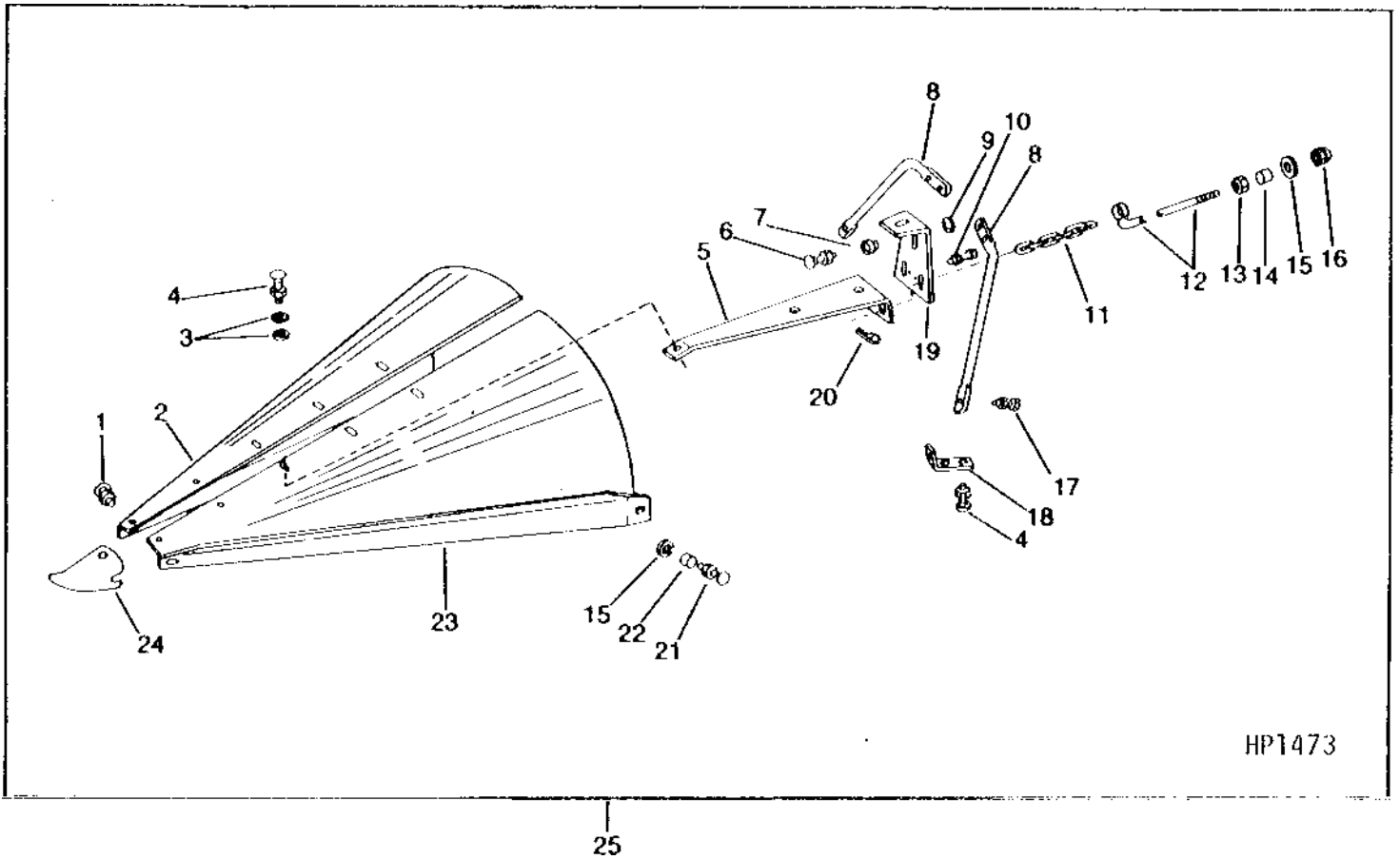
KEY	PART NO.	PART NAME	QTY	SERIAL NO.	REMARKS
1	03H1519	BOLT	3		3/8" X 1"
	E55662	FLANGE NUT	3		3/8"
2	AH89838	SHEET	1		R.H. (454A, 654A, 655A AND 854A)
	AH89840	SHEET	1		R.H. (453A, 653A, 853A AND 1253A)
3	24H1307	WASHER	AR		13/32" X 1" X 1/16", (453A, 653A, 853A AND 1253A - 6 USED; 454A, 654A, 655A AND 854A - 8 USED)
4	03H1709	BOLT	AR		5/16" X 1", (453A, 653A, 853A AND 1253A - 8 USED; 454A, 654A, 655A AND 854A - 9 USED)
	A22698	NUT	AR		7.925 MM (5/16") (453A, 653A, 853A AND 1253A - 8 USED; 454A, 654A, 655A AND 854A - 9 USED)
5	H101653	REINFORCEMENT	1		
6	03H2020	BOLT	1		3/8" X 2"
	12H304	LOCK WASHER	1		3/8"
	14H812	NUT	1		3/8"
7	H93355	BUSHING	1		
8	H93916	TUBE	2		(453A, 653A, 853A AND 1253A)
	H93917	TUBE	2		(454A, 654A, 655A AND 854A)
9	24H1305	WASHER	1		13/32" X 13/16" X 0.065"
10	19H1900	CAP SCREW	2		5/16" X 3/4"
	12H303	LOCK WASHER	2		5/16"
	14H785	NUT	2		5/16"
11	AH102723	LINK CHAIN	1		40 LINKS
12	H89211	HOOK BOLT	1		
13	14H813	NUT	1		7/16"
14	28H1689	SPACER	1		3/8" X 5/8"
15	24H1327	WASHER	3		15/32" X 1-1/8" X 7/64"
16	C13443	LOCK NUT	1		11.125 MM (7/16") (SUB K40006)
	K40006	LOCK NUT	1		11.125 MM (7/16")
17	03H1765	BOLT	2		3/8" X 3/4"
	E55662	FLANGE NUT	2		3/8"
18	H88724	BRACE	1		R.H.
	H88725	BRACE	1		L.H.
19	H101652	SUPPORT	1		
20	28316	SPRING LOCKING PIN	1		
21	03H1842	BOLT	2		7/16" X 2"
	12H293	LOCK WASHER	2		7/16"
	14H813	NUT	2		7/16"
22	H88704	BUSHING	2		
23	AH89837	SHEET	1		L.H. (454A, 654A, 655A AND 854A)
	AH89839	SHEET	1		L.H. (453A, 653A, 853A AND 1253A)
24	H84480	SHOE	1	-525350	
	H101321	SHOE	1	525351-625600	(SUB H135290)
	H135290	SHOE	1		
25	AH108659	GATHERER POINT	1	-625600	(453A, 653A, 853A AND 1253A) (SUB AH129768)
	AH129768	GATHERER POINT	1		(653A AND 853A)
	AH108660	GATHERER POINT	1	-625600	(454A, 654A, 655A, AND 854A) (SUB AH129769)
	AH129769	GATHERER POINT	1		(454A, 654A AND 655A)

NOTE: QUANTITIES SHOWN ARE FOR ONE CENTER GATHERER POINT ASSEMBLY.

# F13

## CENTER GATHERER POINTS

(655100- )  
HP1473 -UN-01JAN94



# F14

50A SERIES ROW-CROP HEADS

**CENTER GATHERER POINTS - CONTINUED**  
(655100- )

KEY	PART NO.	PART NAME	QTY	SERIAL NO.	REMARKS
1	03M7191	BOLT	3	M10 X 25	
	14M7296	FLANGE NUT	3	M10	
2	AH89838	SHEET	1	R.H. (454A AND 654A)	
	AH89840	SHEET	1	R.H. (653A, 853A)	
3	24H1307	WASHER	AR	13/32" X 1" X 1/16", (653A, 853A - 6 USED; 454A, 654A - 8 USED)	
4	03H1709	BOLT	AR	5/16" X 1", (653A, 853A - 8 USED; 454A, 654A - 9 USED)	
	A22698	NUT	AR	5/16", (653A, 853A - 8 USED; 454A, 654A - 9 USED)	
5	H101653	REINFORCEMENT	1		
6	03M7196	BOLT	1	M10 X 50	
	12H304	LOCK WASHER	1	3/8"	
	14M7296	FLANGE NUT	1	M10	
7	H93355	BUSHING	1		
8	H93916	TUBE	2	(653A, 853A)	
	H93917	TUBE	2	(454A, 654A)	
9	24H1305	WASHER	1	13/32" X 13/16" X 0.065"	
10	19M7866	SCREW	2	M8 X 20	
	12H303	LOCK WASHER	2	5/16"	
	14M7298	FLANGE NUT	2	M8	
11	AH102723	LINK CHAIN	1	40 LINKS	
12	H89211	HOOK BOLT	1		
13	14H813	NUT	1	7/16"	
14	28H1689	SPACER	1	3/8" X 5/8"	
15	24H1327	WASHER	3	15/32" X 1-1/8" X 7/64"	
16	K40006	LOCK NUT	1	11.125 MM (7/16")	
17	19M7784	SCREW	2	M10 X 20	
	14M7296	FLANGE NUT	2	M10	
18	H88724	BRACE	1	R.H.	
	H88725	BRACE	1	L.H.	
19	H101652	SUPPORT	1		
20	28316	SPRING LOCKING PIN	1		
21	03H1842	BOLT	2	7/16" X 2"	
	12H293	LOCK WASHER	2	7/16"	
	14H813	NUT	2	7/16"	
22	H88704	BUSHING	2		
23	AH89837	SHEET	1	L.H. (454A, 654A)	
	AH89839	SHEET	1	L.H. (653A, 853A)	
24	H135290	SHOE	1		
25	AH129768	GATHERER POINT	1	(653A AND 853A)	
	AH129769	GATHERER POINT	1	(454A, 654A)	

NOTE: QUANTITIES SHOWN ARE FOR ONE CENTER GATHERER POINT ASSEMBLY.

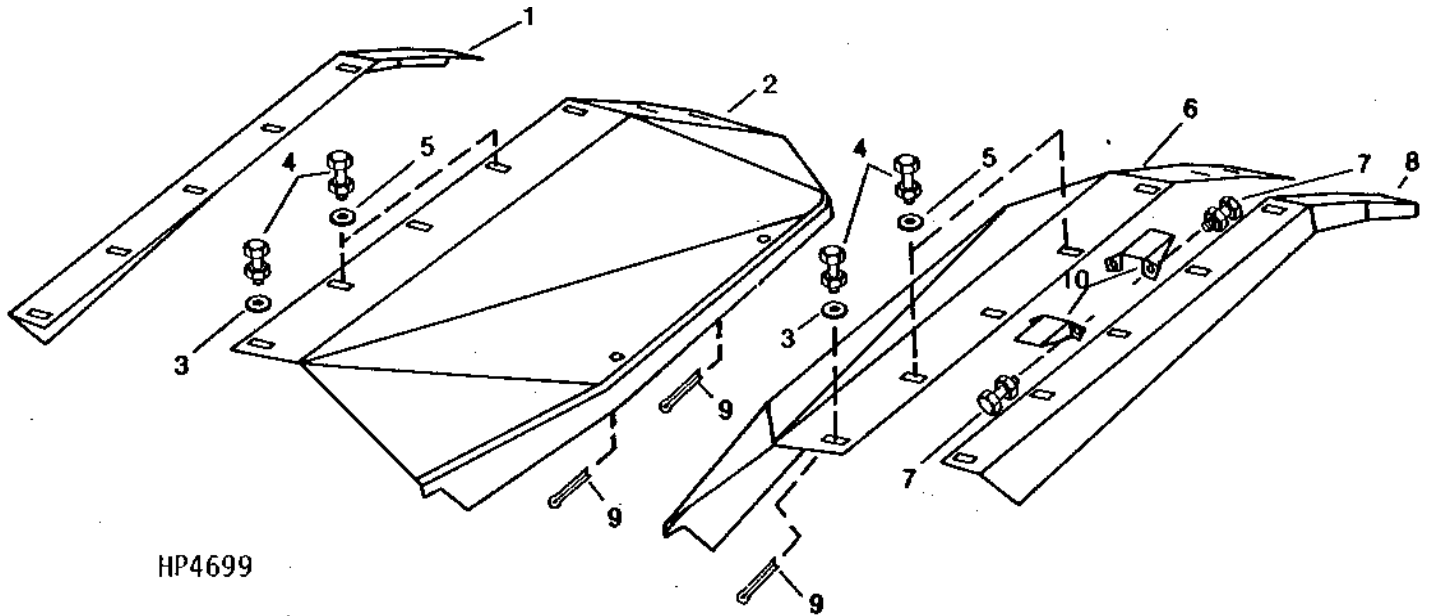
MEMORANDA

# F15

50A SERIES ROW-CROP HEADS

## CENTER GATHERER SHIELDS

(-655099)  
HP4699 -UN-01JAN94



HP4699

KEY	PART NO.	PART NAME	QTY	SERIAL NO.	REMARKS
1	AH96932	BRACKET	1		(30 IN.) R.H. (453A, 653A, 853A, 854A AND 1253A)
	AH137697	BRACKET	1		(40 IN.) (INCLUDES BRACKET AND COVER) R.H. (454A, 654A, 655A, 854A AND 1253A)
2	AH98159	COVER	1		(30 IN.) R.H. (453A, 653A, 853A AND 1253A)
	AH137697	COVER	1		(40 IN.) (INCLUDES BRACKET AND COVER) R.H. (454A, 654A, 655A, AND 854A)
3	24H1307	WASHER	14		13/32" X 1" X 1/16"
4	03H1765	BOLT	14		3/8" X 3/4"
	E55662	FLANGE NUT	14		
5	24H1162	WASHER	4		17/32" X 1-1/4" X 0.060"
6	AH98158	COVER	1		(30 IN.) L.H. (453A, 653A, 853A AND 1253A)
	AH137699	COVER	1		(40 IN.) L.H. (454A, 654A, 655A AND 854A) (INCLUDES COVER AND BRACKET)
7	19H1900	CAP SCREW	8		5/16" X 3/4"
	12H303	LOCK WASHER	8		5/16"
	14H785	NUT	8		5/16"
8	AH96931	BRACKET	1		(30 IN.) L.H. (453A, 653A, 853A, 854A AND 1253A)
	AH137699	BRACKET	1		(40 IN.) L.H. (INCLUDES BRACKET AND COVER) (454A, 654A, 655A, 854A AND 1253A)
9	11M7100	COTTER PIN	4		6.300 X 80 MM
10	AH98166	CLIP	2	-625104	FRONT
	AH104862	CLIP	4		FRONT AND REAR

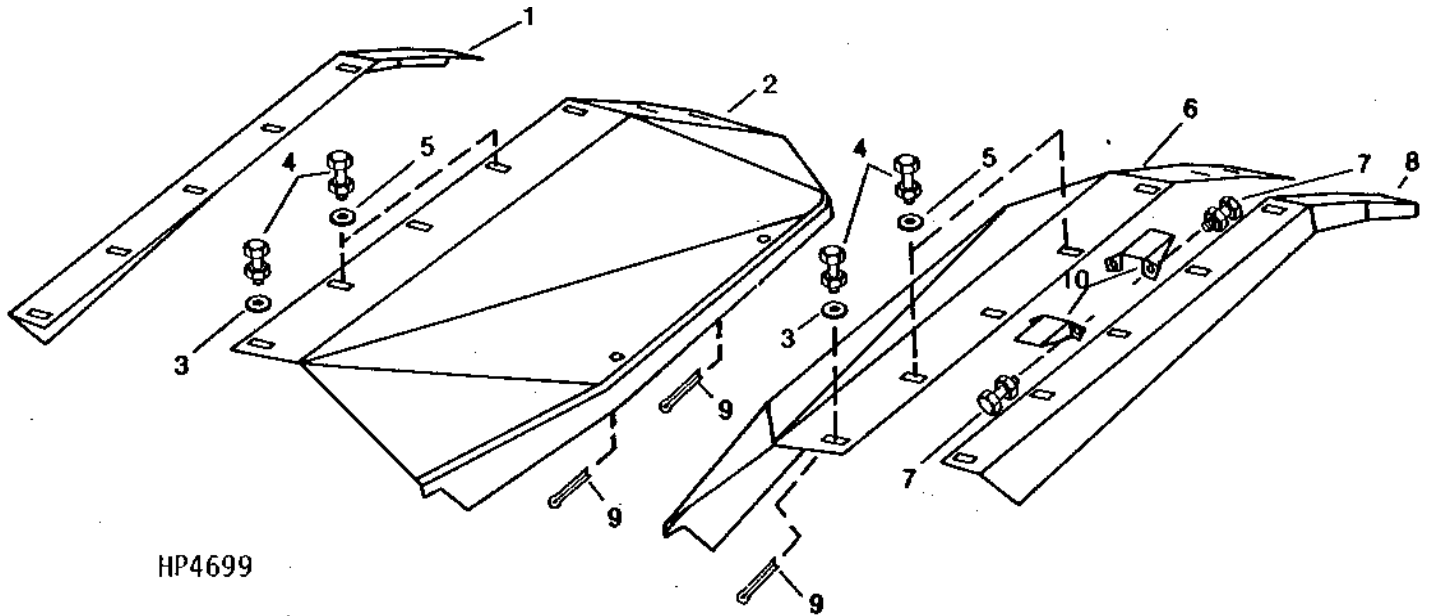
NOTE: QUANTITIES SHOWN ARE FOR ONE CENTER GATHERER SHIELD ASSEMBLY.

# F16

50A SERIES ROW-CROP HEADS

## CENTER GATHERER SHIELDS

(655100- )  
HP4699 -UN-01JAN94



HP4699

KEY	PART NO.	PART NAME	QTY	SERIAL NO.	REMARKS
1	AH96932	BRACKET	1	-6APR98	(30 IN.) R.H. (653A AND 853A)
	AH137697	BRACKET	1		(40 IN.) R.H. (INCLUDES BRACKET AND COVER) (454A, 654A)
2	H163662	ANGLE	1	6APR98-	(30 IN.) R.H. (653 AND 853)
	AH98159	COVER	1		(30 IN.) R.H. (653A, 853A)
	AH137697	COVER	1		(40 IN.) R.H. (454A, 654A)(INCLUDES COVER AND BRACKET)
3	24H1307	WASHER	14		13/32" X 1" X 1/16"
4	03M7190	BOLT	14		M10 X 20
	14M7296	FLANGE NUT	14		
5	24H1162	WASHER	4		17/32" X 1-1/4" X 0.060"
	AH98158	COVER	1		(30 IN.) L.H. (653A, 853A)
6	AH98158	COVER	1		(40 IN.) L.H. (454A, 654A)(INCLUDES COVER AND BRACKET)
	AH137699	COVER	1		
7	03M7184	BOLT	8		M8 X 20
	12H303	LOCK WASHER	8		5/16"
	14M7296	FLANGE NUT	8		M10
8	AH96931	BRACKET	1	-6APR98	L.H. (653A, 853A)
	AH137699	BRACKET	1		(40 IN.) L.H. (INCLUDES BRACKET AND COVER) (454A, 654A)
	H163663	ANGLE	1	6APR98-	(30 IN.) L.H. (653 AND 853)
9	11M7100	COTTER PIN	4		6.300 X 80 MM
10	AH104862	CLIP	4		FRONT AND REAR

NOTE: QUANTITIES SHOWN ARE FOR ONE CENTER GATHERER SHIELD ASSEMBLY.



MEMORANDA

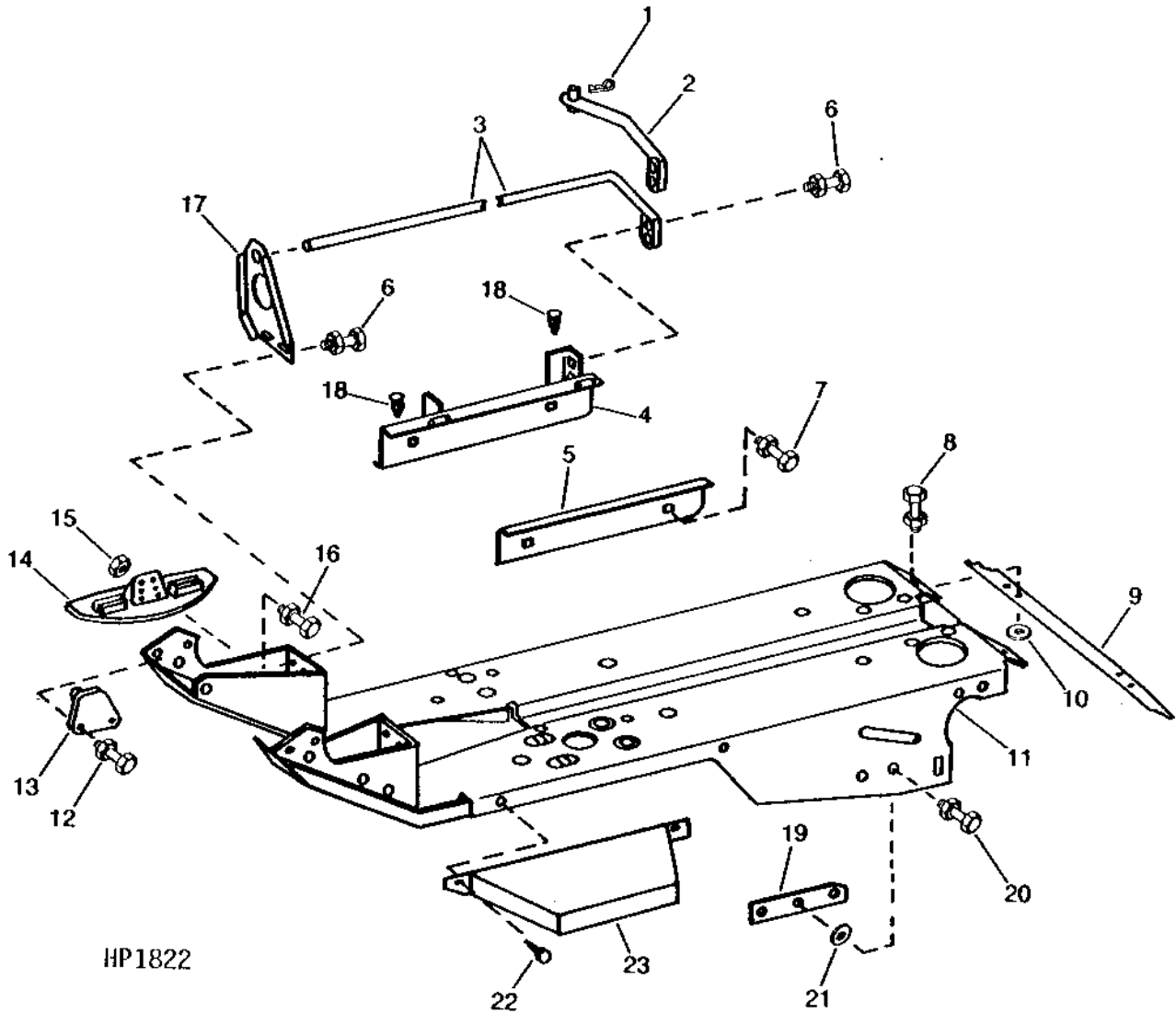
# F17

50A SERIES ROW-CROP HEADS

## ROW UNIT FRAME AND BRACKETS

(-655099)

HP1822 -UN-01JAN94



HP1822

# F18

50A SERIES ROW-CROP HEADS

**ROW UNIT FRAME AND BRACKETS - CONTINUED**  
( -655099)

KEY	PART NO.	PART NAME	QTY	SERIAL NO.	REMARKS
1	J16931	SPRING LOCKING PIN	2		
2	AH101616	SUPPORT	1		R.H., OUTER
	AH101617	SUPPORT	1		L.H., OUTER
3	AH103310	BRACKET	1		R.H., REAR (453A, 653A, 853A AND 1253A)
	AH103311	BRACKET	1		L.H., REAR (453A, 653A, 853A AND 1253A)
	AH103312	BRACKET	1	-635100	R.H., REAR (454A, 654A, 655A AND 854A) (SUB AH136555)
	AH136555	BRACKET	1		R.H., REAR (454A, 654A)
	AH103313	BRACKET	1	-635100	L.H., REAR (454A, 654A, 655A AND 854A) (SUB AH136556)
	AH136556	BRACKET	1		L.H., REAR (454A, 654A)
4	AH101216	RAIL	1	-576676	(SUB AH113784)
	AH113784	RAIL	1		R.H.
5	H101464	STRIP	1		R.H.
6	03H1500	BOLT	AR		3/8" X 1"
	E55662	FLANGE NUT	AR		3/8"
7	10H1026	BOLT	2		3/8" X 1"
	12H304	LOCK WASHER	2		3/8"
	14H812	NUT	2		3/8"
8	03H1500	BOLT	2		3/8" X 1"
	E55662	FLANGE NUT	2		3/8"
9	H88621	SEAL	1		(453A)(9 FT 4 INCH)
	H88622	SEAL	1		(454A)(11 FT 10 INCH)
	H88624	SEAL	1		(653A)(14 FT 4 INCH)
	H94111	SEAL	1		(654A)(17 FT 8 INCH)
	H114855	SEAL	1		(655A)(20 FT)
	H92331	SEAL	1		(853A)(19 FT 4 INCH)
	H106104	SEAL	1	576616-	(854A)(24 FT 10 INCH)
	H106105	SEAL	1	576616-	(1253A)(30 FT 5 INCH)
10	24H1312	WASHER	2		13/32" X 1-3/8" X 0.105"
11	AH101361	FRAME	AR		(453A, -610100;454A, -610200;653A, -610300; 654A, -610400;655A, -610450; AND 853A, -610500) (SUB AH118832)
	AH118832	FRAME	AR		
	AH108394	FRAME	AR		(854A, -610500; 1253A, -610600) (SUB AH118833)
	AH118833	FRAME	AR		
12	19H1732	CAP SCREW	2		3/8" X 1-1/4"
	12H304	LOCK WASHER	2		3/8"
	14H812	NUT	2		3/8"
13	H101296	BRACKET	1		
14	AH102528	SKID PLATE	1	-635000	(SUB AH123019) R.H.
	AH123019	SKID PLATE	1		R.H.
	AH102529	SKID PLATE	1	-635000	L.H. (SUB AH123020)
	AH123020	SKID PLATE	1		L.H.
15	E55662	FLANGE NUT	4		9.525 MM (3/8")
16	19H1731	CAP SCREW	4		3/8" X 1"
	12H304	LOCK WASHER	4		3/8"
17	H103477	PLATE	2		FRONT, (453A, 653A, 853A AND 1253A)
	H103479	PLATE	2	-635100	FRONT (454A, 654A, 655A AND 854A) (SUB H142184)
	H142184	PLATE	2		FRONT (454A, 654A)
18	H88188	SCREW	2		SELF-TAPPING
	H88188	SCREW	4	576616-	(854A AND 1253A)
19	H113905	STRAP	1		
20	N10214	SELF-LOCKING SCREW	4		
	E55662	FLANGE NUT	4		3/8"
21	24H1307	WASHER	AR		13/32" X 1" X 1/16"
22	H76139	SCREW	2	576616-	(854A AND 1253A)
23	H95938	SHIELD	1	576616-	(854A AND 1253A)

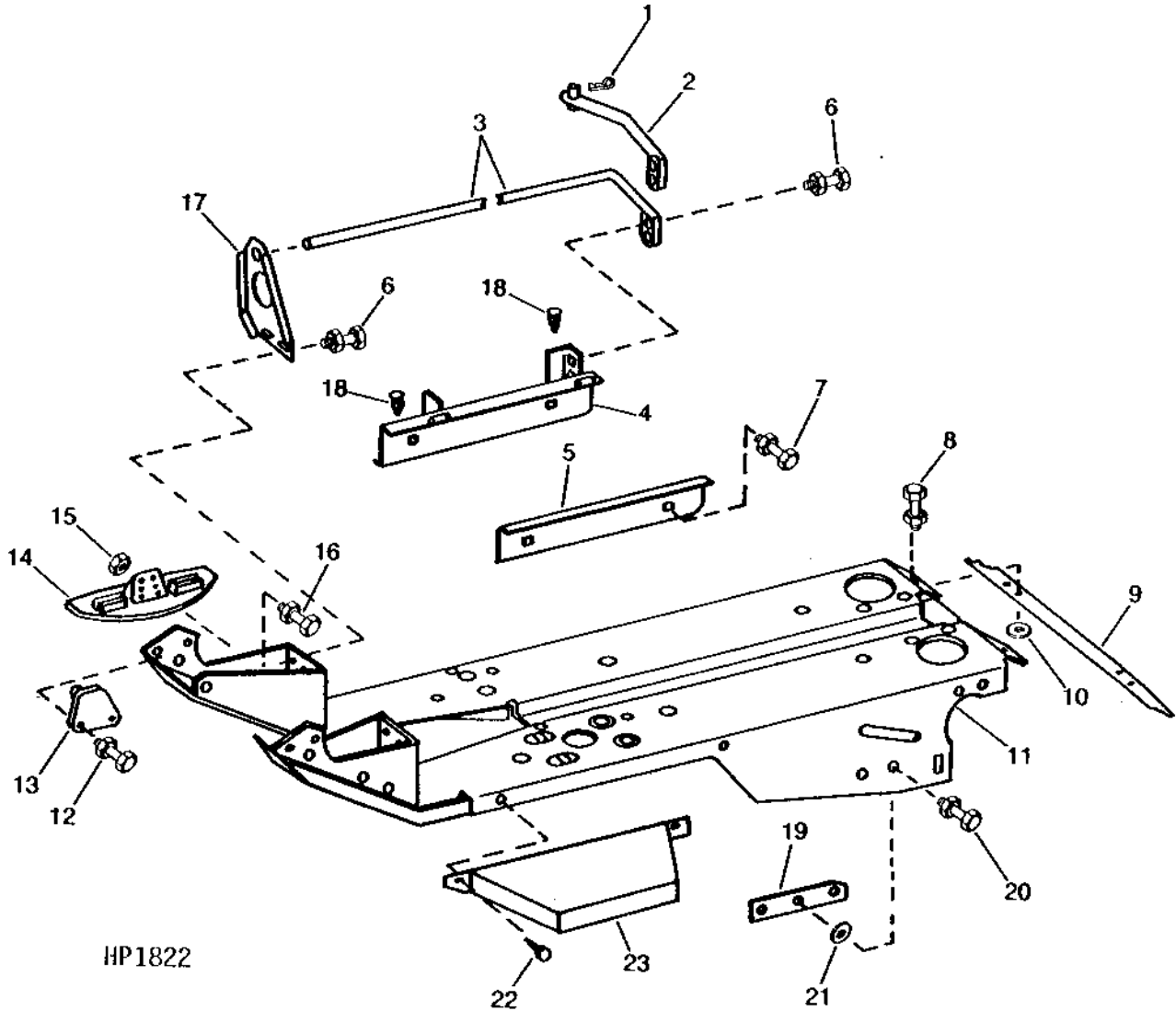
NOTE: QUANTITIES SHOWN ARE FOR 1-ROW ROW-CROP UNIT.

# F19

50A SERIES ROW-CROP HEADS

## ROW UNIT FRAME AND BRACKETS

(655100- )  
HP1822 -UN-01JAN94



HP1822

# F20

50A SERIES ROW-CROP HEADS

**ROW UNIT FRAME AND BRACKETS - CONTINUED**  
(655100- )

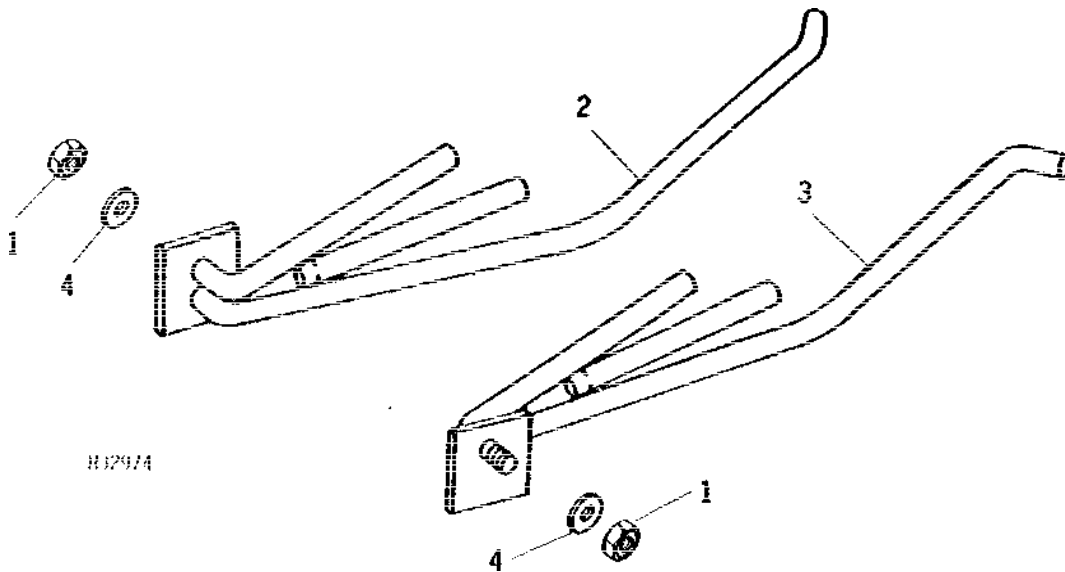
KEY	PART NO.	PART NAME	QTY	SERIAL NO.	REMARKS
1	J16931	SPRING LOCKING PIN	2		
2	AH101616	SUPPORT	1	R.H., OUTER	
	AH101617	SUPPORT	1	L.H., OUTER	
3	AH103310	BRACKET	1	R.H., REAR (653A, 853A)	
	AH103311	BRACKET	1	L.H., REAR (653A, 853A)	
	AH136555	BRACKET	1	R.H., REAR (454A, 654A)	
	AH136556	BRACKET	1	L.H., REAR (454A, 654A)	
4	AH113784	RAIL	1	R.H.	
5	H101464	STRIP	1	R.H.	
6	03M7190	BOLT	AR	M10 X 20	
	14M7296	FLANGE NUT	AR	M10	
7	03M7191	BOLT	2	M10 X 25	
	12H304	LOCK WASHER	2	3/8"	
	14M7298	FLANGE NUT	2	M8	
8	03M7191	BOLT	2	M10 X 25	
	14M7296	FLANGE NUT	2	M10	
9	H88622	SEAL	1	(454A) (11 FT 10 INCH)	
	H88624	SEAL	1	(653A)(14 FT 4 INCH)	
	H94111	SEAL	1	(654A)(17 FT 8 INCH)	
	H92331	SEAL	1	(853A)(19 FT 4 INCH)	
10	24H1312	WASHER	2	13/32" X 1-3/8" X 0.105"	
11	AH143120	FRAME	AR		
12	19M7786	SCREW	2	M10 X 30	
	12H304	LOCK WASHER	2	3/8"	
	14M7274	NUT	2	M10	
13	H149164	SPRING	1		
14	AH123019	SKID PLATE	1	R.H.	
	AH123020	SKID PLATE	1	L.H.	
15	14M7296	FLANGE NUT	4	M10	
16	03M7191	BOLT	4	M10 X 25	
	12H304	LOCK WASHER	4	3/8"	
17	H103477	PLATE	2	FRONT, (653A, 853A)	
	H142184	PLATE	2	FRONT (454A, 654A)	
18	H88188	SCREW	2	SELF-TAPPING	
	37M7087	SCREW	4	M10 X 25	
19	H113905	STRAP	1		
20	03M7184	BOLT	4	M8 X 20	
	14M7296	FLANGE NUT	4	M10	
21	24H1307	WASHER	AR	13/32" X 1" X 1/16"	
22	37M7058	SCREW	2	M8 X 20	
23	H95938	SHIELD	1		

NOTE: QUANTITIES SHOWN ARE FOR 1-ROW ROW-CROP UNIT.

# F21

50A SERIES ROW-CROP HEADS

**ROCK DEFLECTORS**  
H32974 -UN-01JAN94



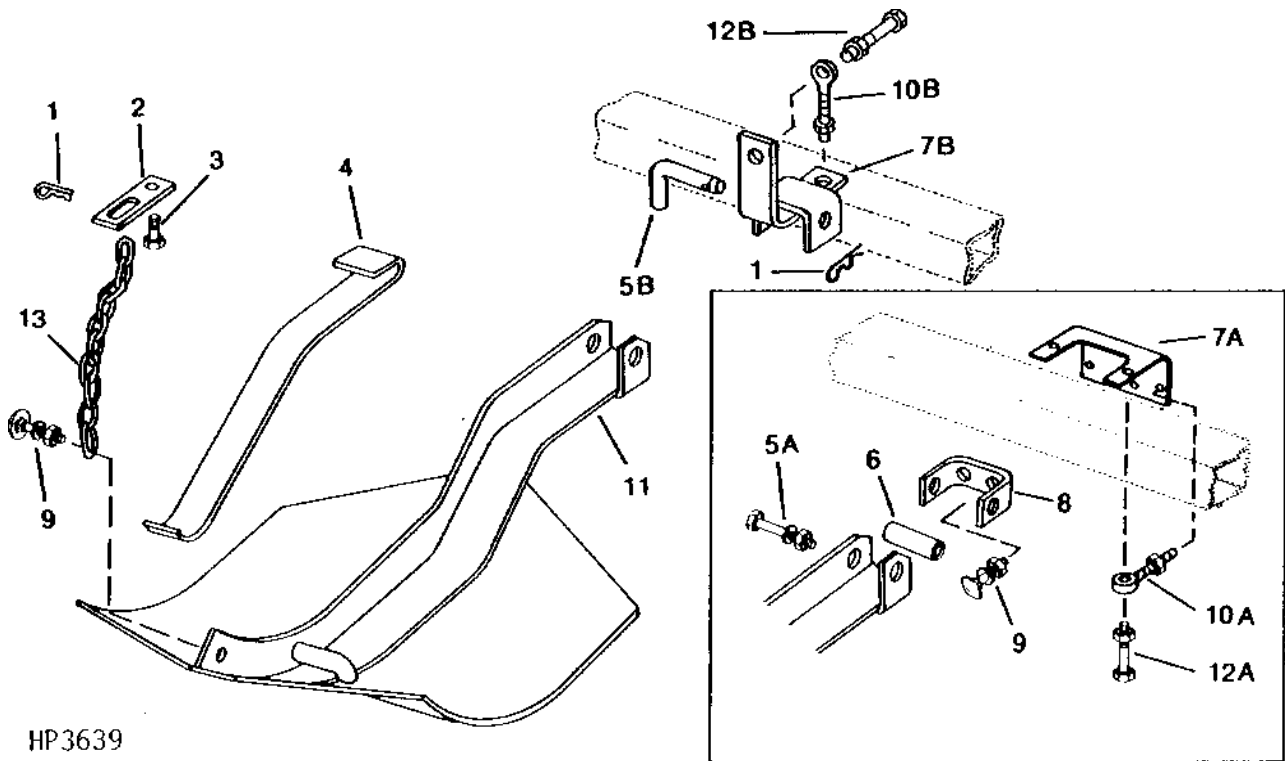
KEY	PART NO.	PART NAME	QTY	SERIAL NO.	REMARKS
1	14H812	NUT	2	3/8"	
	12H304	LOCK WASHER	2	3/8"	
2	AH94159	DEFLECTOR	1	R.H.	
3	AH94160	DEFLECTOR	1	L.H.	
4	24H1305	WASHER	2	13/32" X 13/16" X 0.065"	

# F22

50A SERIES ROW-CROP HEADS

## STUBBLE SHOES

(-655099)  
HP3639 -UN-01JAN94



HP3639

KEY	PART NO.	PART NAME	QTY	SERIAL NO.	REMARKS
1	A3581R	SPRING LOCKING PIN	2	-635000	
	A3581R	SPRING LOCKING PIN	4		
2	H95476	STRAP	2	-575900	(SUB H113789)
	H113789	SUPPORT	2		
3	19H1905	CAP SCREW	2		5/16" X 1"
	A22698	NUT	2		7.925 MM (5/16")
4	H95478	SPRING	2	-525350	(SUB H109119)
	H109119	SPRING	2		
5A	19H1828	CAP SCREW	2	-635000	7/16" X 4"
	12H293	LOCK WASHER	2	-635000	7/16"
	14H813	NUT	2	-635000	7/16"
5B	B13153	PIN	2	635001-635718	
	N219240	PIN	2	635719-	
6	28H1535	SPACER	2	-635000	3/8" X 2-3/4"
7A	H101783	BRACKET	2	-635000	
7B	AH122351	BRACKET	2		
8	H95475	SUPPORT	2	-635000	
9	03H1557	BOLT	6	-635000	3/8" X 1-1/4"
	03H1557	BOLT	2	635001-	3/8" X 1-1/4"
	E55662	FLANGE NUT	6	-635000	9.525 MM (3/8")
	E55662	FLANGE NUT	2	635001-	3/8"
10A	J15524	EYEBOLT	4	-635000	
	12H304	LOCK WASHER	4	-635000	3/8"
	14H812	NUT	4	-635000	3/8"
10B	H88538	EYEBOLT	2	635001-	
	12H294	LOCK WASHER	2	635001-	5/8"
	14H760	NUT	2	635001-	5/8"
11	AH94725	SKID PLATE	2		
12A	19H1925	CAP SCREW	4	-635000	3/8" X 4-1/4"
	12H304	LOCK WASHER	4	-635000	3/8"
	14H812	NUT	4	-635000	3/8"
12B	19H2076	CAP SCREW	2	635001-	5/8" X 5"
	12H294	LOCK WASHER	2	635001-	5/8"
	14H760	NUT	2	635001-	5/8"
13	AH94195	LINK CHAIN	2		22 LINKS

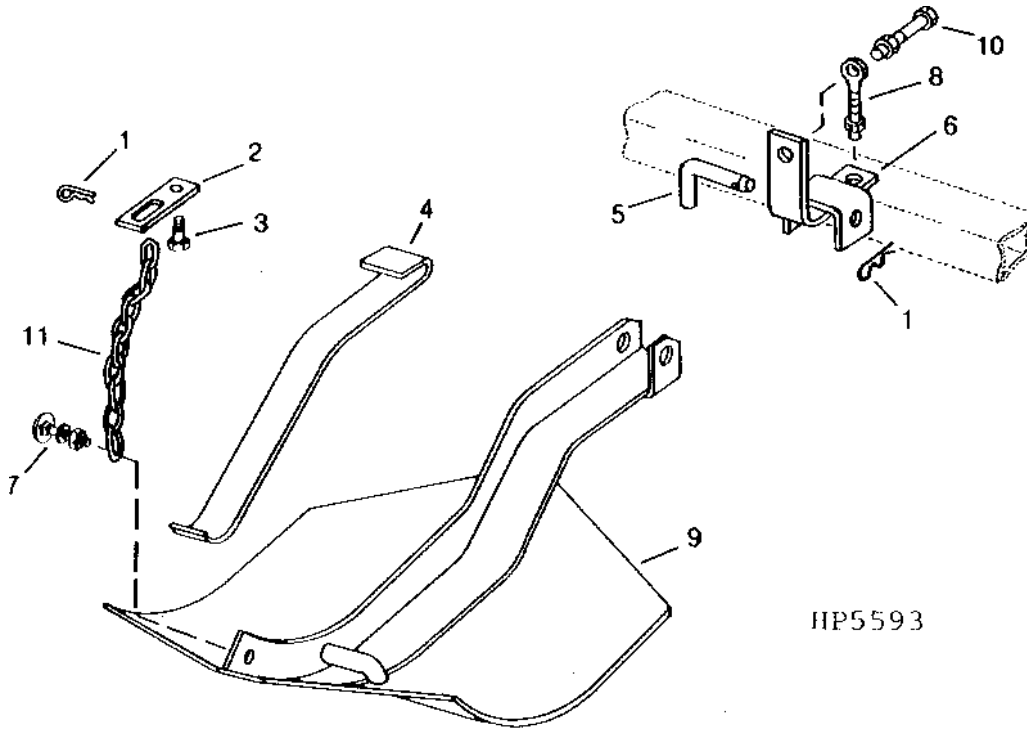
BH79236 (COMPLETE GOODS) STUBBLE SHOES

# F23

50A SERIES ROW-CROP HEADS

## STUBBLE SHOES

(655100- )  
HP5593 -UN-01JAN94



HP5593

KEY	PART NO.	PART NAME	QTY	SERIAL NO.	REMARKS
1	A3581R	SPRING LOCKING PIN	4		
2	H113789	SUPPORT	2		
3	19M7867	SCREW	2	M8 X 25	
	14M7298	FLANGE NUT	2	M8	
4	H109119	SPRING	2		
5	N219240	PIN	2		
6	AH122351	BRACKET	2		
7	03M7192	BOLT	2	M10 X 30	
	24H1305	WASHER	1	13/32" X 13/16" X 0.065"	
	12H304	LOCK WASHER	1	3/8"	
	14M7296	FLANGE NUT	2	M10	
8	H88538	EYEBOLT	2		
	12H294	LOCK WASHER	2	5/8"	
	14H760	NUT	2	5/8"	
9	AH94725	SKID PLATE	2		
10	19M7830	SCREW	2	M16 X 150	
	12H294	LOCK WASHER	2	5/8"	
	14M7291	FLANGE NUT	2	M16	
11	AH94195	LINK CHAIN	2	22 LINKS	

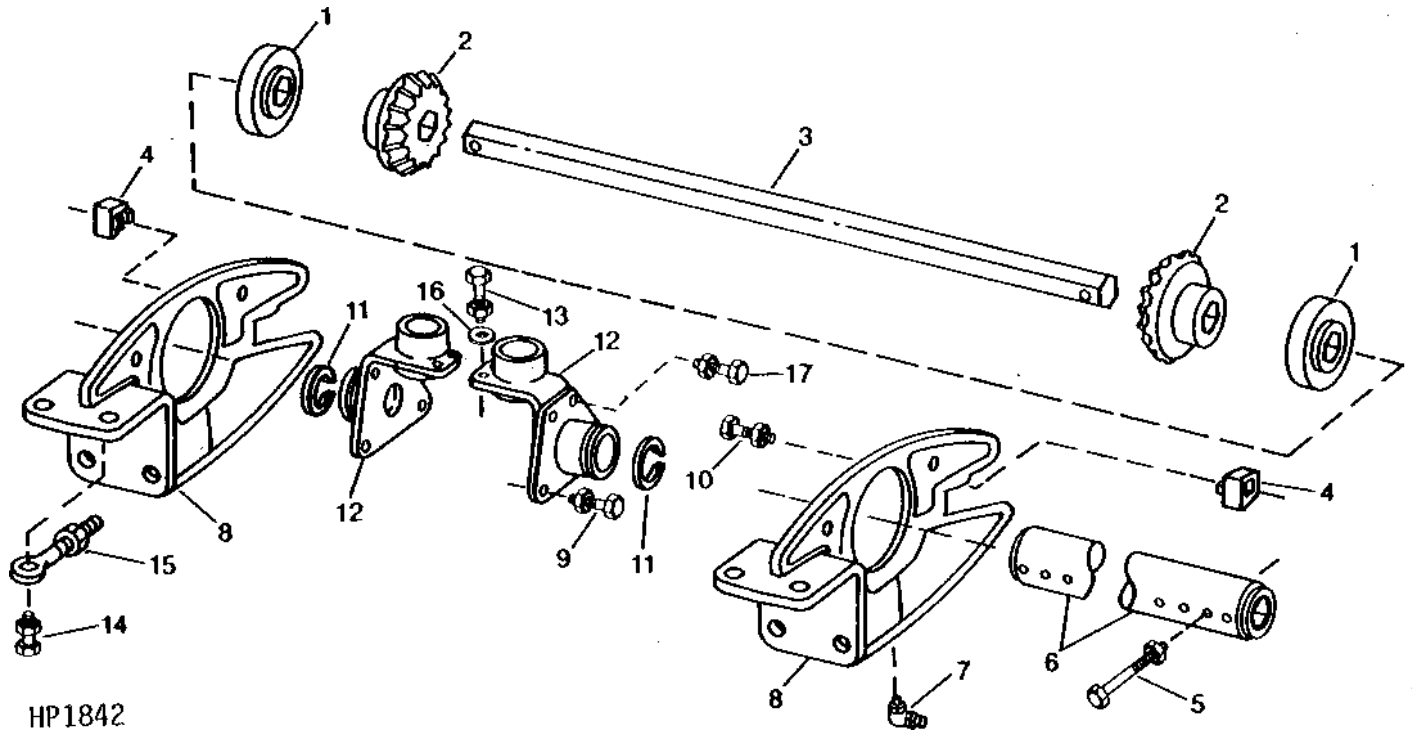
BH79236 (COMPLETE GOODS) STUBBLE SHOES



# F24

50A SERIES ROW-CROP HEADS

ROW UNIT DRIVE MOUNTING, SHAFT, AND COUPLER  
(453A, 454A, 653A, 654A, 655A AND 853A)  
(-655099)  
HP1842 -UN-01JAN94



HP1842

KEY	PART NO.	PART NAME	QTY	SERIAL NO.	REMARKS
1	JD9313	BALL BEARING	2		
2	N14393	GEAR	2		
3	H88603	BAR	1		DRIVE
4	H88425	STOP	2	-615560	LOCK, (SUB H113906)
	H113906	STOP	2		
5	19H1944	CAP SCREW	2		3/8" X 2-3/4"
	E50102	LOCK NUT	2		9.525 MM (3/8")
6	AH89630	COUPLING	1		(453A, 653A, 853A)
	AH89634	COUPLING	1		(454A, 654A AND 655A)
7	JD7788	LUBRICATION FITTING	2		
8	H101445	SUPPORT	2		
9	03H1557	BOLT	4	-575900	3/8" X 1-1/4"
	12H304	LOCK WASHER	4	-575900	3/8"
	14H732	NUT	4	-575900	3/8"
	03H1557	BOLT	2	575901-	3/8" X 1-1/4"
	E55662	FLANGE NUT	2	575901-	9.525 MM (3/8")
10	03H2113	BOLT	2		1/2" X 2"
	12H301	LOCK WASHER	2		1/2"
	14H1040	NUT	2		1/2"
11	H103474	SNAP RING	2		
12	H101446	HOUSING	2		
13	19H1731	CAP SCREW	4	-576110	3/8" X 1"
	19H1732	CAP SCREW	4	-576110	3/8" X 1-1/4"
	03H1500	BOLT	4	576111-	3/8" X 1"
	12H304	LOCK WASHER	4		3/8"
	14H812	NUT	4		3/8"
14	19H2076	CAP SCREW	2		5/8" X 5"
	12H294	LOCK WASHER	2		5/8"
	14H1039	NUT	2		5/8"
15	H88538	EYEBOLT	2		
	12H294	LOCK WASHER	2		5/8"
	14H1039	NUT	2		5/8"
	24H1682	WASHER	2		13/32" X 7/8" X 0.120"
17	03H1500	BOLT	4		3/8" X 1"
	E55662	FLANGE NUT	4		9.525 MM (3/8")

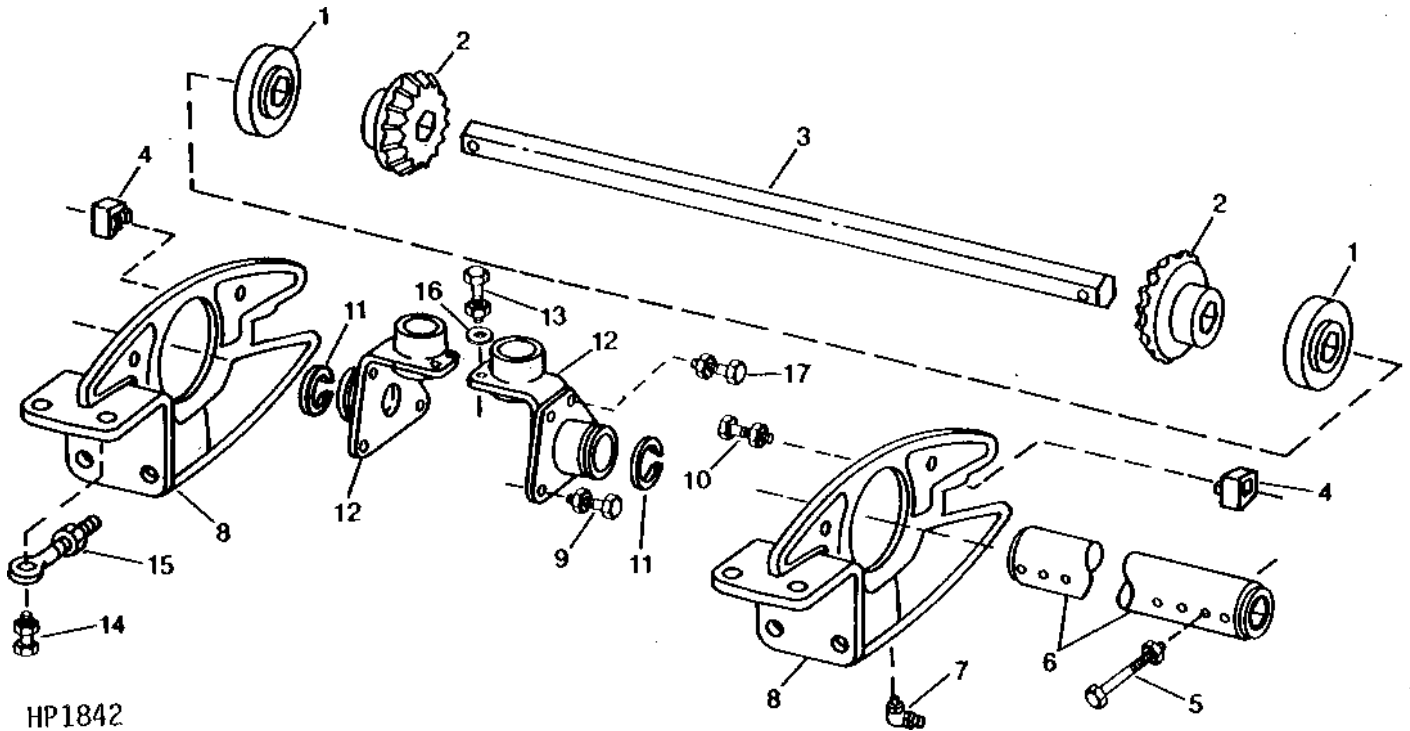
NOTE: QUANTITIES SHOWN ARE FOR 1-ROW ROW-CROP UNIT.

# F25

50A SERIES ROW-CROP HEADS

## ROW UNIT DRIVE MOUNTING, SHAFT, AND COUPLER (454A, 653A, 654A AND 853A)

(655100- )  
HP1842 -UN-01JAN94



HP1842

KEY	PART NO.	PART NAME	QTY	SERIAL NO.	REMARKS
1	JD9313	BALL BEARING	2		
2	N14393	GEAR	2		
3	H88603	BAR	1		DRIVE
4	H113906	STOP	2		
5	19M7811	SCREW	2		M10 X 90
	A51212	LOCK NUT	2		M10
6	AH89630	COUPLING	1		(653A, 853A)
	AH89634	COUPLING	1		(454A, 654A)
7	JD7788	LUBRICATION FITTING	2		
8	H101445	SUPPORT	2		
9	03M7192	BOLT	2		M10 X 30
	14M7296	FLANGE NUT	2		M10
10	03M7202	BOLT	2		M12 X 50
	12H301	LOCK WASHER	2		1/2"
	14M7299	FLANGE NUT	2		M12
11	H103474	SNAP RING	2		
12	H101446	HOUSING	2		
13	03M7191	BOLT	4		M10 X 25
	12H304	LOCK WASHER	4		3/8"
	14M7274	NUT	4		M10
14	19M7829	SCREW	2		M16 X 130
	12H294	LOCK WASHER	2		5/8"
	14M7276	NUT	2		M16
15	H88538	EYEBOLT	2		
	12H294	LOCK WASHER	2		5/8"
	14H1039	NUT	2		5/8"
16	24H1682	WASHER	2		13/32" X 7/8" X 0.120"
17	03M7191	BOLT	4		M10 X 25
	14M7296	FLANGE NUT	4		M10

NOTE: QUANTITIES SHOWN ARE FOR 1-ROW ROW-CROP UNIT.

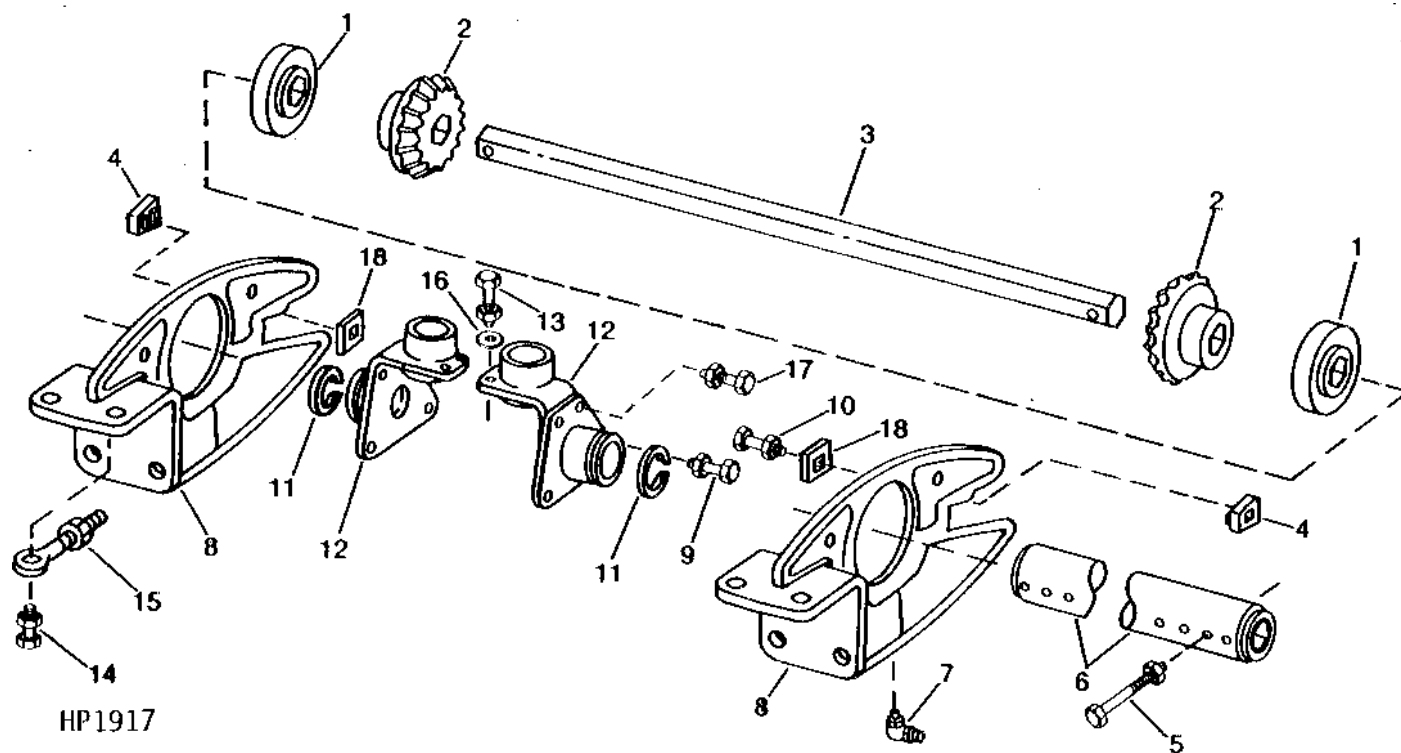
# G1

50A SERIES ROW-CROP HEADS

## ROW UNIT DRIVE MOUNTING, SHAFT, AND COUPLER

(854A AND 1253A) (-630100)

HP1917 -UN-01JAN94

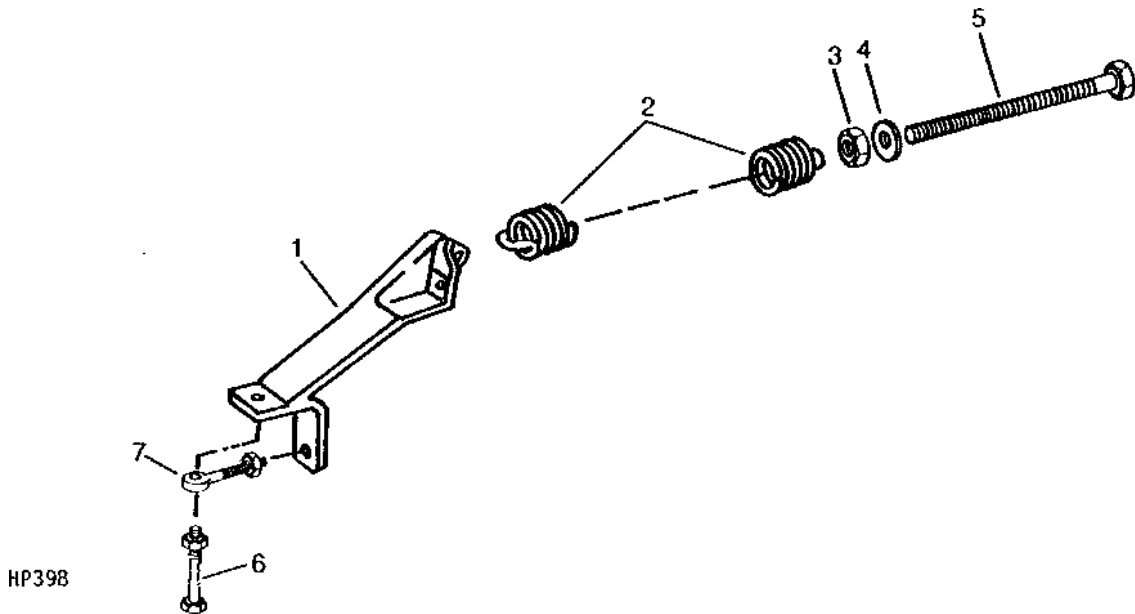


KEY	PART NO.	PART NAME	QTY	SERIAL NO.	REMARKS
1	AN102010	BEARING	2		
2	H109784	BEVEL GEAR	2		
3	H109785	BAR	AR		INNER (6 USED-854A; 10 USED-1253A)
4	H113906	STOP	2		LOCK
5	19H1974	CAP SCREW	2		12.700 X 69.850 MM (1/2" X 2-3/4")
	K40014	LOCK NUT	2		12.700 MM (1/2")
6	AH108470	TUBE	1		(854A)
	H114494	BUSHING	1		(1253A)
7	JD7797	LUBRICATION FITTING	2		
8	H109787	SUPPORT	2		
9	03H1746	BOLT	2		12.700 X 31.750 MM (1/2" X 1-1/4")
	12H301	LOCK WASHER	2		1/2"
	14H1040	NUT	2		12.700 MM (1/2")
10	03H2203	BOLT	2		12.700 X 57.150 MM (1/2" X 2-1/4")
	12H301	LOCK WASHER	2		1/2"
	14H1040	NUT	2		12.700 MM (1/2")
11	H109854	RING	2		
	H109786	HOUSING	2		
13	19H1732	CAP SCREW	4		9.525 X 31.750 MM (3/8" X 1-1/4")
	12H304	LOCK WASHER	4		3/8"
	14H812	NUT	4		9.525 MM (3/8")
14	19H2076	CAP SCREW	2		15.875 X 127 MM (5/8" X 5")
	12H294	LOCK WASHER	2		5/8"
	14H1039	NUT	2		15.875 MM (5/8")
15	H88538	EYEBOLT	2		
	12H294	LOCK WASHER	2		5/8"
	14H1039	NUT	2		5/8"
16	24H1682	WASHER	2		13/32" X 7/8" X 0.120"
17	03H1500	BOLT	4		9.525 X 25.400 MM (3/8" X 1")
	E55662	FLANGE NUT	4		9.525 MM (3/8")
18	H113907	STRAP	2		

NOTE: QUANTITIES SHOWN ARE FOR 1-ROW ROW-CROP UNIT.

**FLOAT SPRING AND MOUNTING**

(-655099)  
 HP398 -UN-01JAN94

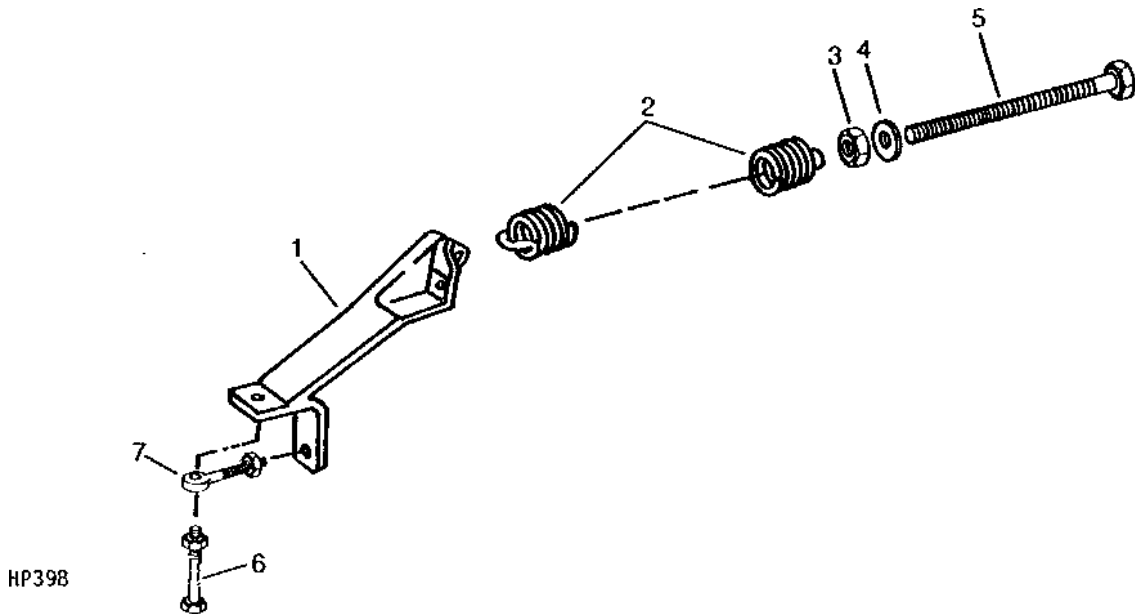


KEY	PART NO.	PART NAME	QTY	SERIAL NO.	REMARKS
1	H102442	BRACKET	1		
2	AH102712	SPRING ASSEMBLY	1		
3	14H821	NUT	1	5/8"	
4	N12679	WASHER	1		
5	H102883	BOLT	1		
6	19H2212	CAP SCREW	1	-625100	5/8" X 5-1/4"
	19H1923	CAP SCREW	1		5/8" X 5-1/2"
	12H294	LOCK WASHER	1		5/8"
	14H1039	NUT	1		5/8"
7	H88538	EYEBOLT	1		
	12H294	LOCK WASHER	1	5/8"	
	14H1039	NUT	1	5/8"	

NOTE: QUANTITIES SHOWN ARE FOR 1-ROW ROW-CROP UNIT.

**FLOAT SPRING AND MOUNTING**

(655100- )  
 HP398 -UN-01JAN94

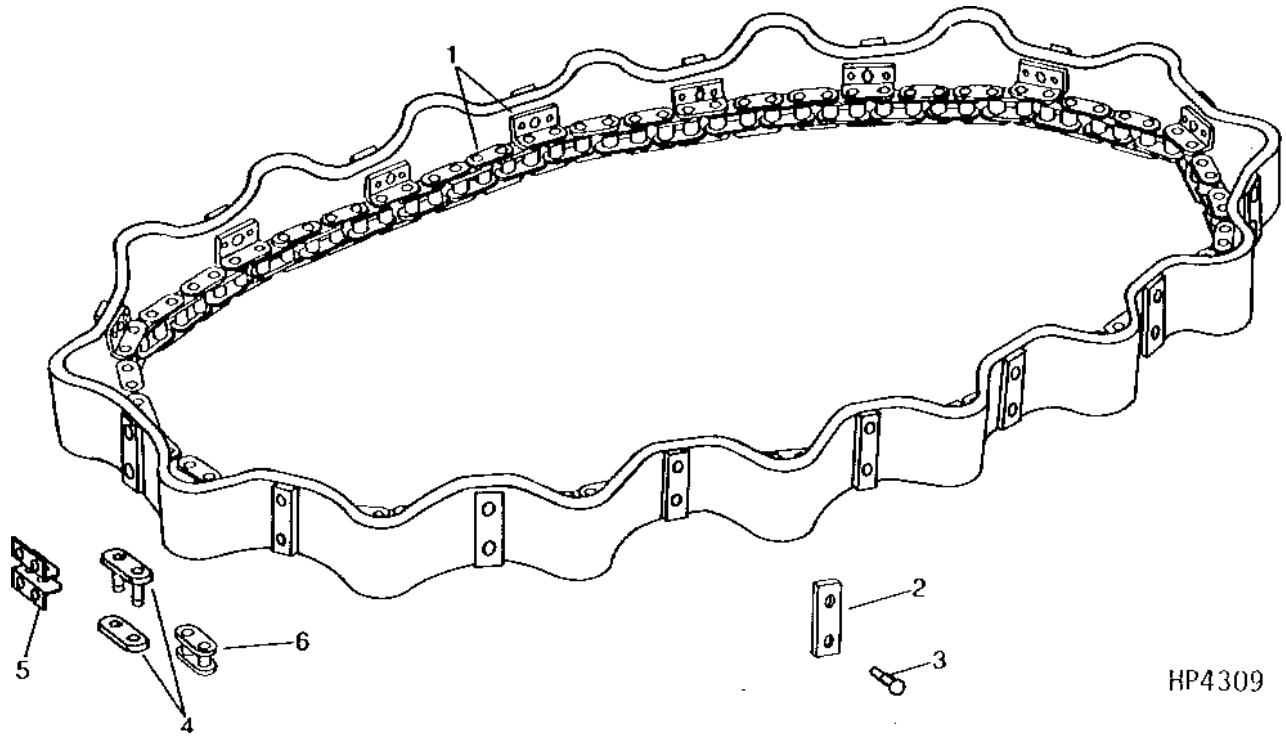


KEY	PART NO.	PART NAME	QTY	SERIAL NO.	REMARKS
1	H102442	BRACKET	1		
2	AH102712	SPRING ASSEMBLY	1		
3	14H821	NUT	1		5/8"
4	N12679	WASHER	1		
5	H102883	BOLT	1		
6	19M7830	SCREW	1		M16 X 150
	12H294	LOCK WASHER	1		5/8"
	14M7291	FLANGE NUT	1		M16
	19H1923	CAP SCREW	1	7APR97-	5/8" X 5-1/2", (454A, 653A, 654A AND 853A)
	14H760	NUT	1	7APR97-	5/8", (454A, 653A, 654A AND 853A)
7	H88538	EYEBOLT	1		
	12H294	LOCK WASHER	1		5/8"
	14H1039	NUT	1		5/8"

NOTE: QUANTITIES SHOWN ARE FOR 1-ROW ROW-CROP UNIT.

# G4

**GATHERER CHAIN**  
HP4309 -UN-01JAN94



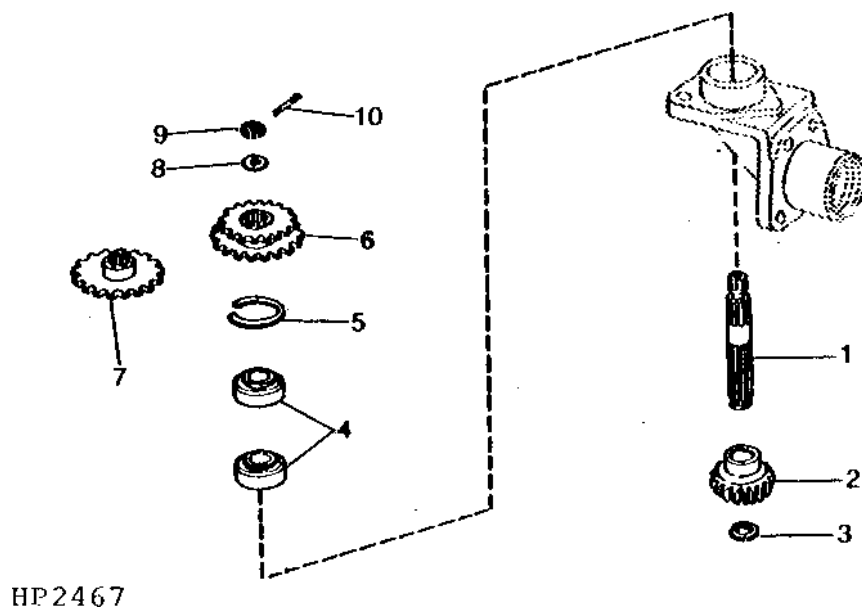
KEY	PART NO.	PART NAME	QTY	SERIAL NO.	REMARKS
1	AH101172	GATHERER CHAIN	2		(NON-CHROMED PINS)
	AE43059	GATHERER CHAIN	2		(CHROMED PINS)
	H101416	BELT	1	-526390	(EXCEPT SUB AE41605 FOR 4-ROW) (SUB E68688)
	E68688	BELTING	1		
2	H101417	STRAP	17		
3	E69313	RIVET	34		
4	AE38168	LINK	1		COUPLER
5	AE41741	LINK	1		BELT COUPLER
6	AE45615	CHAIN LINK	1		ROLLER

NOTE: QUANTITIES SHOWN ARE FOR 1-ROW ROW-CROP UNIT.

**GATHERER CHAIN DRIVE**

(-655099)

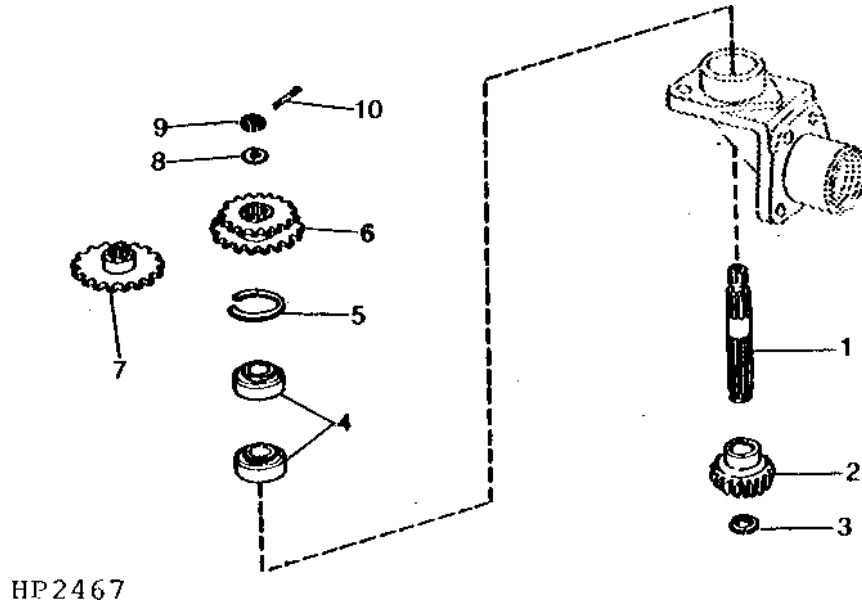
HP2467 -UN-01JAN94



KEY	PART NO.	PART NAME	QTY	SERIAL NO.	REMARKS
1	H102440	SHAFT	1	-427355	(SUB (2) H109048 AND H109050) R.H.
	H109050	SHAFT	1		R.H.
	H102441	SHAFT	1	-427355	(SUB (2) H109048 AND H109051) L.H.
	H109051	SHAFT	1		L.H.
2	H101668	GEAR	2		18 TEETH
3	E30743	SNAP RING	2	-427355	
	H109048	RING	2	427356-	
4	JD10091	BALL BEARING	4		
5	P42232	SNAP RING	2		
6	AH101340	CHAIN SPROCKET	1		11 TEETH AND 12 TEETH, L.H. (453A, 454A, 653A, 654A, 655A AND 853A)
	AH112724	CHAIN SPROCKET	1	-630100	11 TEETH AND 15 TEETH (854A AND 1253A)
7	AH101339	CHAIN SPROCKET	1		11 TEETH, R.H.
8	24H1393	WASHER	2		25/32" X 1-3/8" X 0.180"
	24H1399	WASHER	2	576616-630100	25/32" X 1-5/8" X 0.180", (854A AND 1253A)
9	J13155	NUT	2		SLOTTED
	14H902	NUT	2	576616-	3/4", SLOTTED
10	11M7083	COTTER PIN	2		3.200 X 50 MM

NOTE: QUANTITIES SHOWN ARE FOR 1-ROW ROW-CROP UNIT.

**GATHERER CHAIN DRIVE**

 (655100- )  
 HP2467 -UN-01JAN94


KEY	PART NO.	PART NAME	QTY	SERIAL NO.	REMARKS
1	H149665	SHAFT	1	R.H.	
	H149666	SHAFT	1	L.H.	
2	H101668	GEAR	2	18 TEETH	
3	H109048	RING	2		
4	JD10091	BALL BEARING	4		
5	P42232	SNAP RING	2		
6	AH101340	CHAIN SPROCKET	1	11 TEETH AND 12 TEETH, L.H. (454A, 653A, 654A AND 853A)	
	AH112724	CHAIN SPROCKET	1	11 TEETH AND 15 TEETH	
7	AH101339	CHAIN SPROCKET	1	11 TEETH, R.H.	
8	T19572	WASHER	2		
9	14M7211	NUT	2	M20	
10	11M7083	COTTER PIN	2	3.200 X 50 MM	

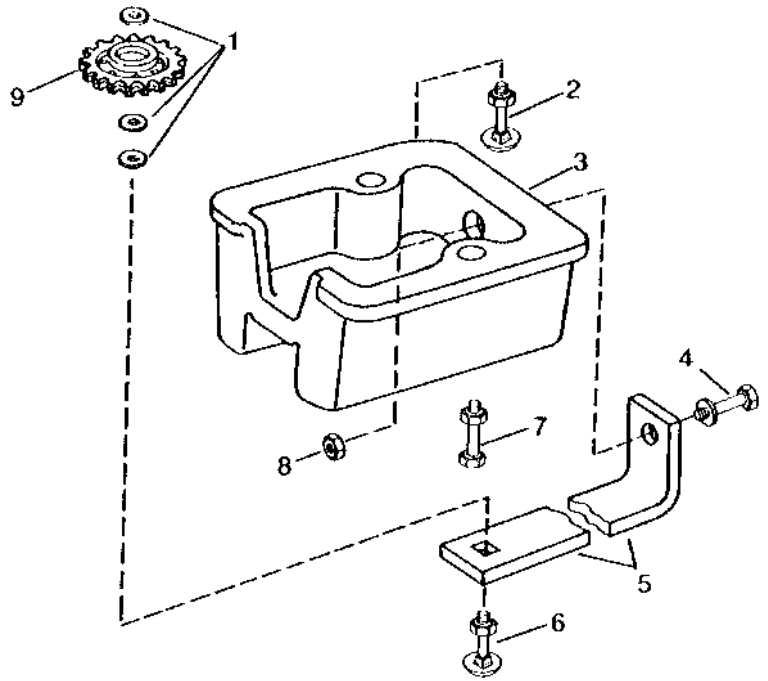
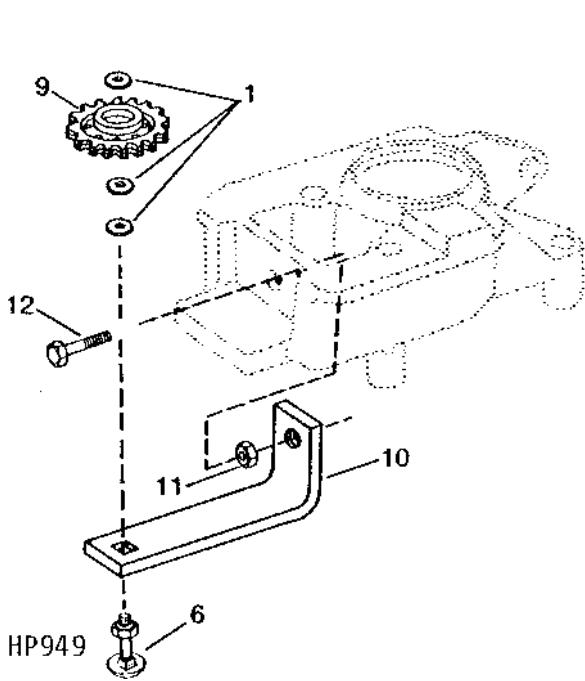
NOTE: QUANTITIES SHOWN ARE FOR 1-ROW ROW-CROP UNIT.



**RIGHT-HAND AND LEFT-HAND GATHERER CHAIN DRIVE IDLER**

(-655099)

HP949 -UN-01JAN94

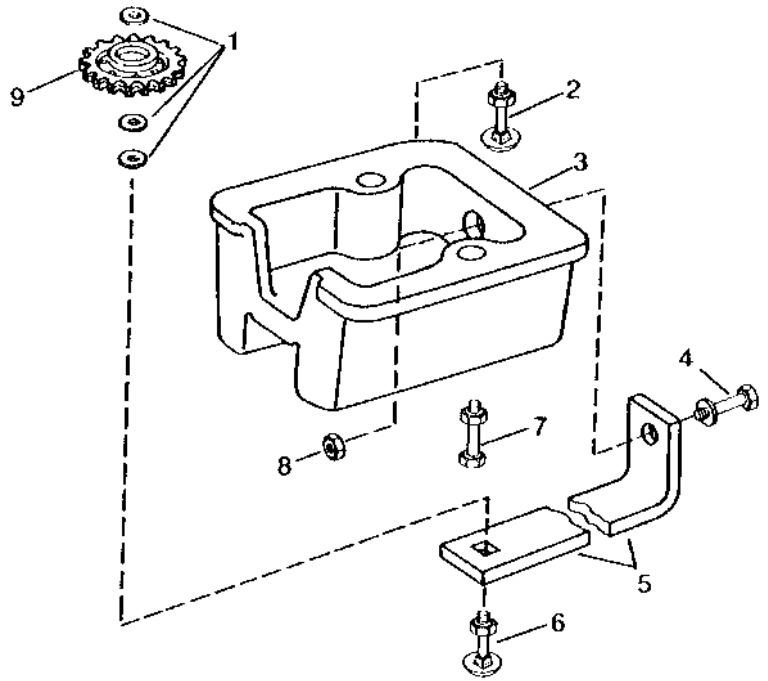
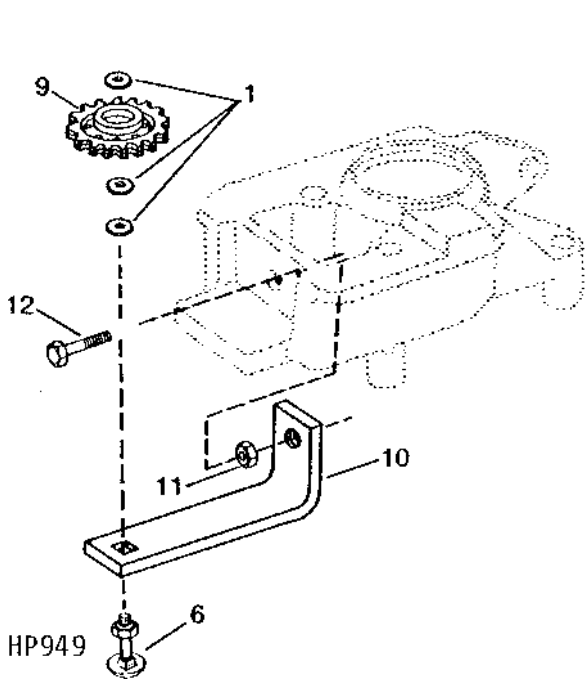


KEY	PART NO.	PART NAME	QTY	SERIAL NO.	REMARKS
1	24H1370	WASHER	6	21/32" X 1-3/8" X 0.134"	
2	03H1809	BOLT	1	3/8" X 4"	
	12H304	LOCK WASHER	1	3/8"	
	14H812	NUT	1	3/8"	
3	H101584	SUPPORT	1	-476350	(SUB H110400)
	H110400	SUPPORT	1		
4	19H2805	CAP SCREW	1	1/2" X 3-1/4"	
	14H826	NUT	1	1/2"	
5	H101643	STRAP	1	R.H.	
6	10H1043	BOLT	2	5/8" X 3"	
	12H294	LOCK WASHER	2	5/8"	
	14H1039	NUT	2	5/8"	
7	19H2023	CAP SCREW	1	3/8" X 3-1/4"	
	12H304	LOCK WASHER	1	3/8"	
	14H823	NUT	1	1/2"	
9	AH103303	CHAIN SPROCKET	2	11 TEETH, TIGHTENER	
10	H101642	STRAP	1	L.H.	
11	14H826	NUT	1	1/2"	
12	19H2420	CAP SCREW	1	1/2" X 2-1/2"	

NOTE: QUANTITIES SHOWN ARE FOR 1-ROW ROW-CROP UNIT.

**RIGHT-HAND AND LEFT-HAND GATHERER CHAIN DRIVE IDLER**

(655100- )  
 HP949 -UN-01JAN94



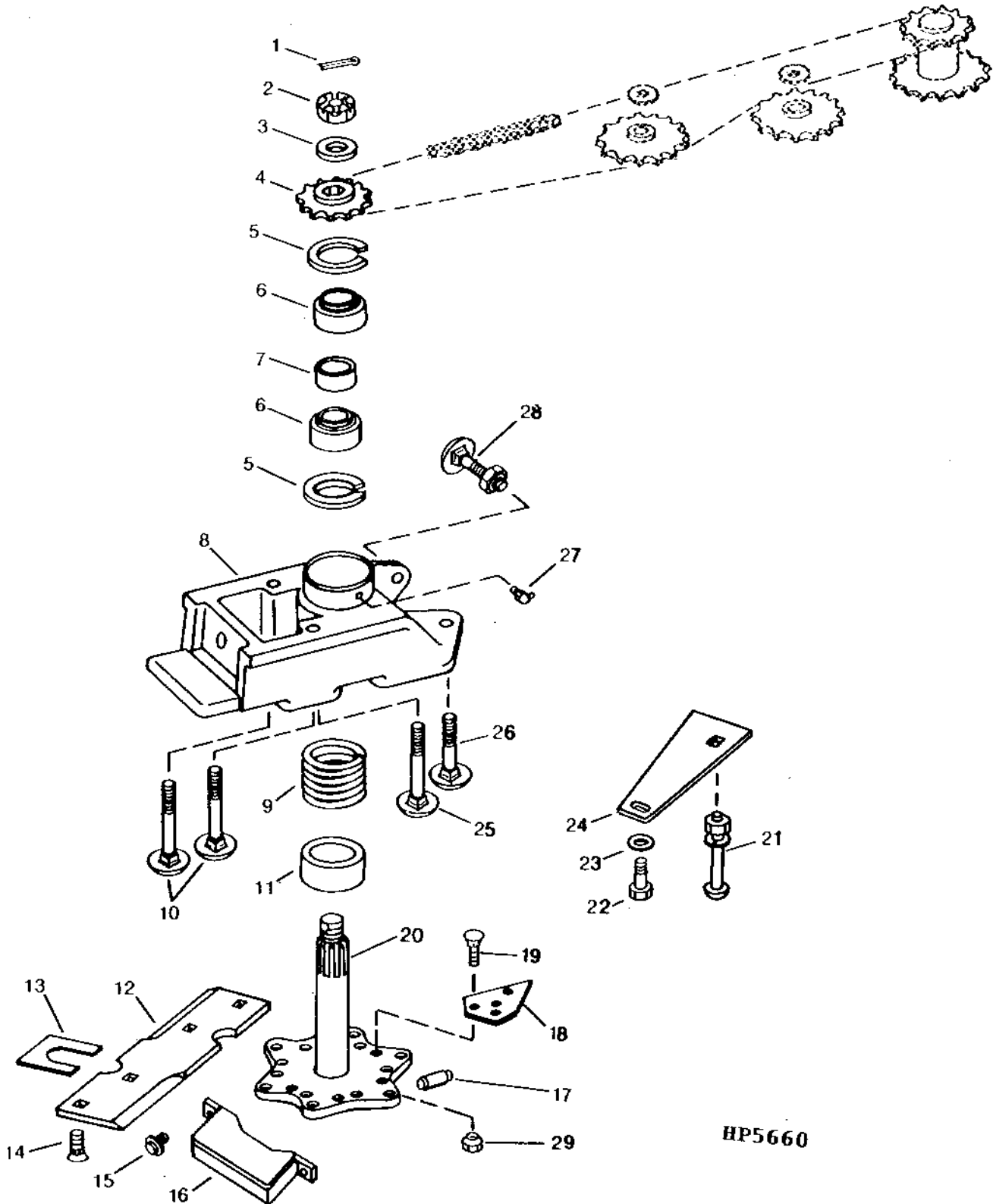
KEY	PART NO.	PART NAME	QTY	SERIAL NO.	REMARKS
1	24H1370	WASHER	6	21/32" X 1-3/8" X 0.134"	
2	03M7225	BOLT	1	M10 X 100	
	12H304	LOCK WASHER	1	3/8"	
3	14M7298	FLANGE NUT	1	M8	
	H149163	SUPPORT	1		
4	19M8079	CAP SCREW	1	M12 X 80	
	14M7275	NUT	1	M12	
5	H101643	STRAP	1	R.H.	
6	10H1043	BOLT	2	5/8" X 3"	
	12H294	LOCK WASHER	2	5/8"	
	14H1039	NUT	2	5/8"	
7	19M7810	SCREW	1	M10 X 80	
	12H304	LOCK WASHER	1	3/8"	
8	14M7299	FLANGE NUT	1	M12	
9	AH103303	CHAIN SPROCKET	2	11 TEETH, TIGHTENER	
10	H149161	STRAP	1	L.H.	
	14M7275	NUT	1	M12	
12	19M8540	CAP SCREW	1	M12 X 60	

NOTE: QUANTITIES SHOWN ARE FOR 1-ROW ROW-CROP UNIT.

---

MEMORANDA

**KNIFE AND BEARINGS**  
(453A, 454A, 653A, 654A, 655A AND 853A)  
(-655099)  
HP5660 -UN-01JAN94



# G10

50A SERIES ROW-CROP HEADS

**KNIFE AND BEARINGS - CONTINUED**  
**(453A, 454A, 653A, 654A, 655A AND 853A)**  
**( -655099)**

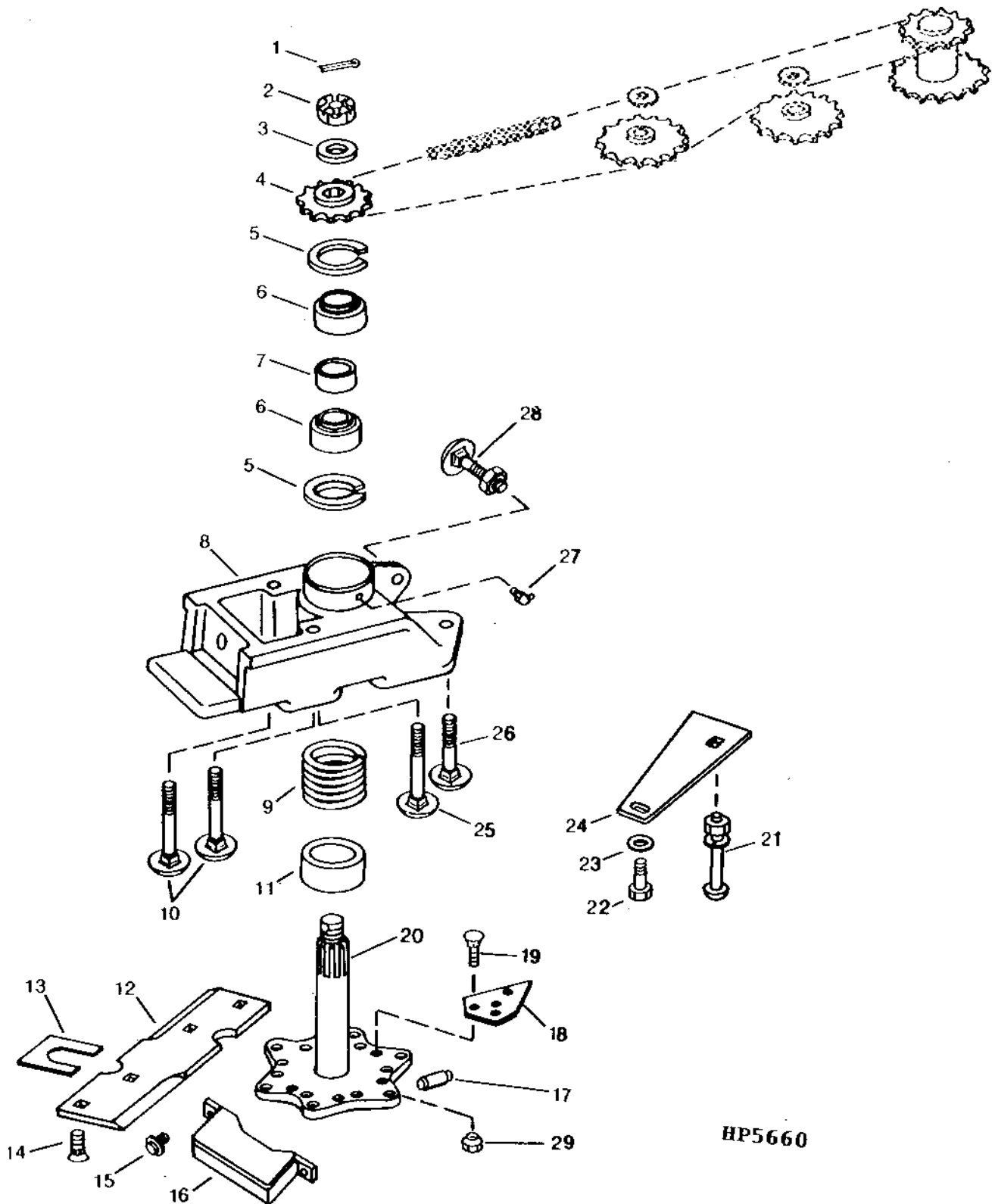
KEY	PART NO.	PART NAME	QTY	SERIAL NO.	REMARKS
1	11M7083	COTTER PIN	1		3.200 X 50 MM
2	J13155	NUT	1		19.050 MM (3/4") SLOTTED
3	24H1393	WASHER	1		25/32" X 1-3/8" X 0.180"
4	AH101671	CHAIN SPROCKET	1		12 TEETH, DRIVE (4 USED-453A (-610100), 454A (-610200);6 USED-653A (-610300), 654A (-610400),655A (-610450);8 USED-853A (-610500) (SUB AH117558)
	AH117558	CHAIN SPROCKET	1		12 TEETH, DRIVE (4 USED-453A, 454A; 6 USED-653A, 654A, 655A; 8 USED-853A)
	AH117552	CHAIN SPROCKET	1		12 TEETH, DRIVE (4 USED-453A (610101-), 454A (610201-);6 USED-653A (610301-), 654A (610401-),655A (610451-);8 USED-853A (610501-)
5	P42232	SNAP RING	2		
6	JD10092	BALL BEARING	2		
7	H101603	SPACER	1		
8	H110399	HOUSING	1		(4 USED-453A -610100, 454A -610200; 6 USED-653A -610300, 654A -610400, 655A -610450; 8 USED-853A -610500) (SUB FOR H101583) (SUB H121710)
	H121710	HOUSING	1		(4 USED-453A,454A; 6 USED-653A, 654A, 655A; 8 USED-853A) (SUB H149162)
9	H101601	SPRING	1		
10	03H1809	BOLT	2		3/8" X 4"
	12H304	LOCK WASHER	2		3/8"
	14H812	NUT	2		3/8"
11	H101602	SPACER	1		
12	H101606	STATIONARY KNIFE	1		(453A, -610100;454A, -610200; 653A, -610300; 654A, -610400;655A, -576738;853A, -610500) (SUB H121709)
	H121709	KNIFE	1		(454A, -630118; 653A, -630348; 654A, -630136; 853A, -630518) (SUB H139066)
	H139066	KNIFE	1		
13	H100293	STRAP	AR		
14	N103236	SCREW	1		12.700 X 25.400 MM (1/2" X 1") RECESSED SOCKET
	12H308	LOCK WASHER	1		1/2"
15	H76139	SCREW	2		SELF-TAPPING
16	H95938	SHIELD	1		
17	34H132	SPRING PIN	1		3/8" X 2"
18	H101607	SECTION	6	-640700	RIVET TYPE - NO LONGER USED
	H147109	KNIFE	6		BOLT ON TYPE
19	16H686	RIVET	18	-640700	1/4" X 7/8", NO LONGER USED
	H147110	BOLT	18		M6 X 23
20	AH103305	KNIFE	1	-640700	RIVET TYPE - (INCLUDES H101607 AND 16H686)
	AH101670	KNIFE	1	-655204	(USE WITH 14M7211, 24M7291 AND 11M7083) (SUB AH143503 AND 14M7211) BOLT ON TYPE
	AH143503	KNIFE	1		
21	10H1177	BOLT	1		3/8" X 4-1/2"
	12H304	LOCK WASHER	1		3/8"
	14H812	NUT	1		3/8"
22	19H1732	CAP SCREW	1		3/8" X 1-1/4"
	12H304	LOCK WASHER	1		3/8"
23	24H1682	WASHER	1		13/32" X 7/8" X 0.120"
24	H122345	PLATE	1		
25	10H1055	BOLT	1		1/2" X 4-1/2"
	12H301	LOCK WASHER	1		1/2"
	14H1040	NUT	1		1/2"
26	10H1237	BOLT	1		1/2" X 2-1/2"
	12H301	LOCK WASHER	1		1/2"
	14H1040	NUT	1		1/2"
27	JD7806	LUBRICATION FITTING	1		
28	10H1027	BOLT	1		3/8" X 1-1/4"
	12H304	LOCK WASHER	1		3/8"
	14H812	NUT	1		3/8"
29	14M7165	LOCK NUT	18	645101-	M6

NOTE: QUANTITIES SHOWN ARE FOR 1-ROW ROW-CROP UNIT.

# G11

50A SERIES ROW-CROP HEADS

KNIFE AND BEARINGS  
(454A, 653A, 654A AND 853A)  
(655100- )  
HP5660 -UN-01JAN94



HP5660

# G12

50A SERIES ROW-CROP HEADS

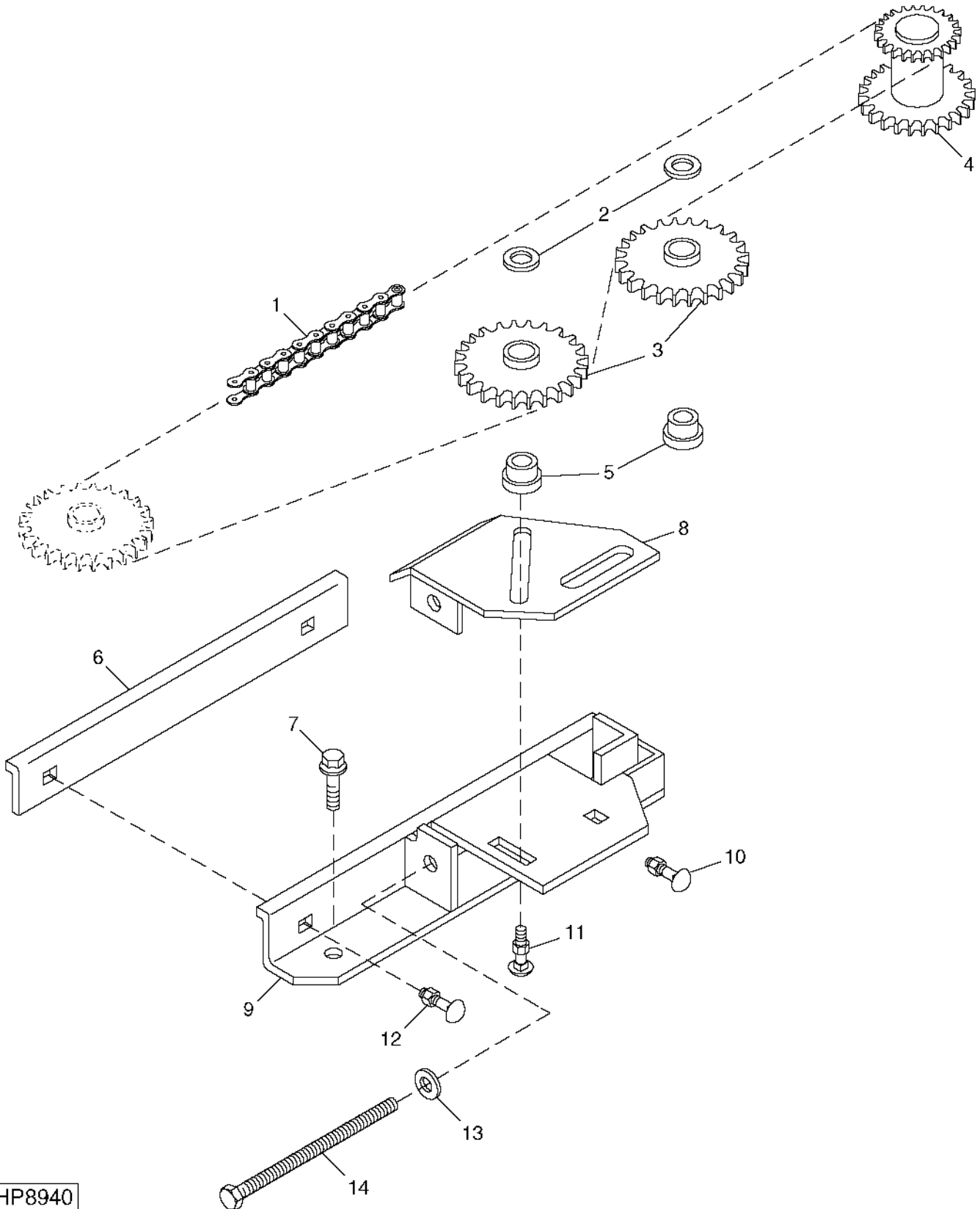
**KNIFE AND BEARINGS - CONTINUED**  
**(454A, 653A, 654A AND 853A)**  
**(655100- )**

KEY	PART NO.	PART NAME	QTY	SERIAL NO.	REMARKS
1	11M7083	COTTER PIN	1		3.200 X 50 MM
2	14M7211	NUT	1		SLOTTED
3	24M7291	WASHER	1	-655204	37 X 66 X 5 MM
	24M7349	WASHER	1		(SUB 24M7349)
4	AH117558	CHAIN SPROCKET	1		12 TEETH, DRIVE (4 USED-454A; 6 USED- 653A, 654A; 8 USED-853A)
	AH117552	CHAIN SPROCKET	1		12 TEETH, DRIVE WITH SHIELD (4 USED-454A; 6 USED-653A, 654A;8 USED-853A)
5	P42232	SNAP RING	2		
6	JD10092	BALL BEARING	2		
7	H101603	SPACER	1		
8	H149162	HOUSING	1		(4 USED-453A,454A; 6 USED-653A, 654A; 8 USED-853A)
9	H101601	SPRING	1		
10	03M7225	BOLT	2		M10 X 100
	12H304	LOCK WASHER	2		3/8"
	14M7274	NUT	2		M10
11	H101602	SPACER	1		
12	H139066	KNIFE	1		
13	H100293	STRAP	AR		
14	N103236	SCREW	1		RECESSED SOCKET
	12H308	LOCK WASHER	1		1/2"
15	37M7058	SCREW	2		SELF-TAPPING
16	H95938	SHIELD	1		
17	34H132	SPRING PIN	1		3/8" X 2"
18	H147109	KNIFE	6		BOLT ON TYPE
19	H147110	BOLT	18		M6 X 23
20	AH143503	KNIFE	1		BOLT ON TYPE
21	10H1177	BOLT	1	-665100	3/8" X 4-1/2"
	03M7225	BOLT	1	665101-	M10 X 100
	12H304	LOCK WASHER	1		3/8"
	14M7274	NUT	1		M10
22	19M7835	SCREW	1		M10 X 35
	12H304	LOCK WASHER	1		3/8"
23	24H1682	WASHER	1		13/32" X 7/8" X 0.120"
24	H122345	PLATE	1		
25	10H1055	BOLT	1		1/2" X 4-1/2"
	12H301	LOCK WASHER	1		1/2"
	14H1040	NUT	1		1/2"
26	03M7226	BOLT	1		M12 X 70
	12H301	LOCK WASHER	1		1/2"
	14M7299	FLANGE NUT	1		M12
27	JD7806	LUBRICATION FITTING	1		
28	03M7192	BOLT	1		M10 X 30
	12H304	LOCK WASHER	1		3/8"
	14M7274	NUT	1		M10
29	14M7165	LOCK NUT	18	645101-	M6

NOTE: QUANTITIES SHOWN ARE FOR 1-ROW ROW-CROP UNIT.

# G13

**KNIFE DRIVE**  
(453A, 454A, 653A, 654A, 655A AND 853A)  
(-655099)  
HP8940 -UN-25AUG99



HP8940



# G14

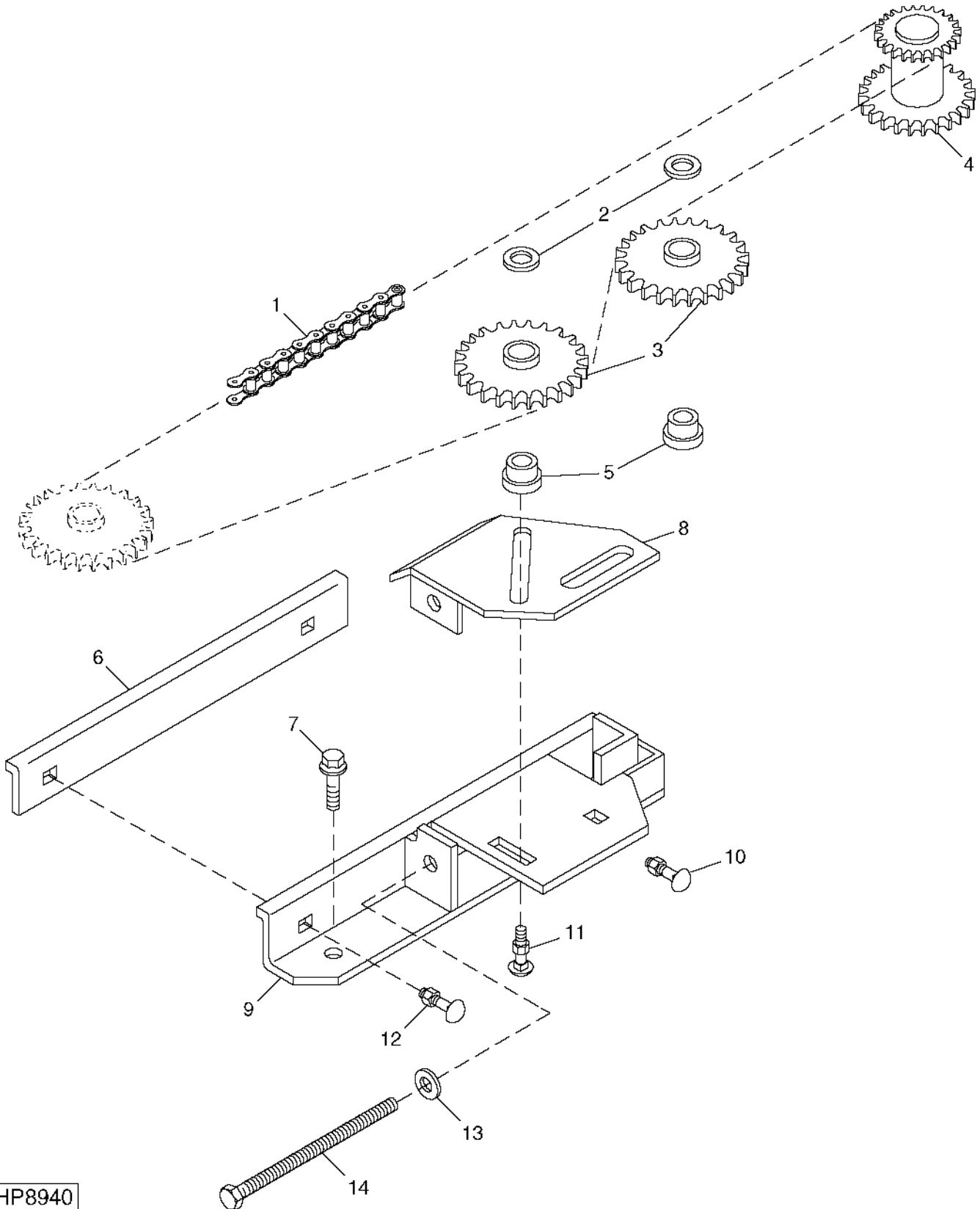
50A SERIES ROW-CROP HEADS

**KNIFE DRIVE - CONTINUED**  
**(453A, 454A, 653A, 654A, 655A AND 853A)**  
**( -655099)**

KEY	PART NO.	PART NAME	QTY	SERIAL NO.	REMARKS
1	AH112546	LINK CHAIN	1		ROLLER, DRIVE, TYPE 60, 3/4" PITCH, 74 LINKS
2	24H1338	WASHER	2		33/64" X 7/8" X 0.048"
3	AE27909	CHAIN SPROCKET	2		15 TEETH, TIGHTENER
4	AH101340	CHAIN SPROCKET	1		11 TEETH AND 12 TEETH, DRIVE
5	H97517	BUSHING	2		
6	H101463	STRIP	1		L.H.
7	H88188	SCREW	2		9.525 X 25.400 MM (3/8" X 1") SELF-TAPPING
8	AH101218	TIGHTENER	1		
9	AH101217	RAIL	1	-576615	(SUB AH113785)
	AH113785	RAIL	1		L.H.
10	10H1026	BOLT	1		3/8" X 1"
	12H304	LOCK WASHER	1		3/8"
	14H812	NUT	1		3/8"
11	03H2113	BOLT	2		1/2" X 2"
	12H301	LOCK WASHER	2		1/2"
	14H1040	NUT	2		1/2"
12	10H1027	BOLT	1		3/8" X 1-1/4"
	12H304	LOCK WASHER	1		3/8"
	14H812	NUT	1		3/8"
13	24H1305	WASHER	1		13/32" X 13/16" X 0.065"
14	19H3118	CAP SCREW	1		3/8" X 4-1/2"

# G15

KNIFE DRIVE  
(454A, 653A, 654A AND 853A)  
(655100- )  
HP8940 -UN-25AUG99



HP8940

# G16

50A SERIES ROW-CROP HEADS

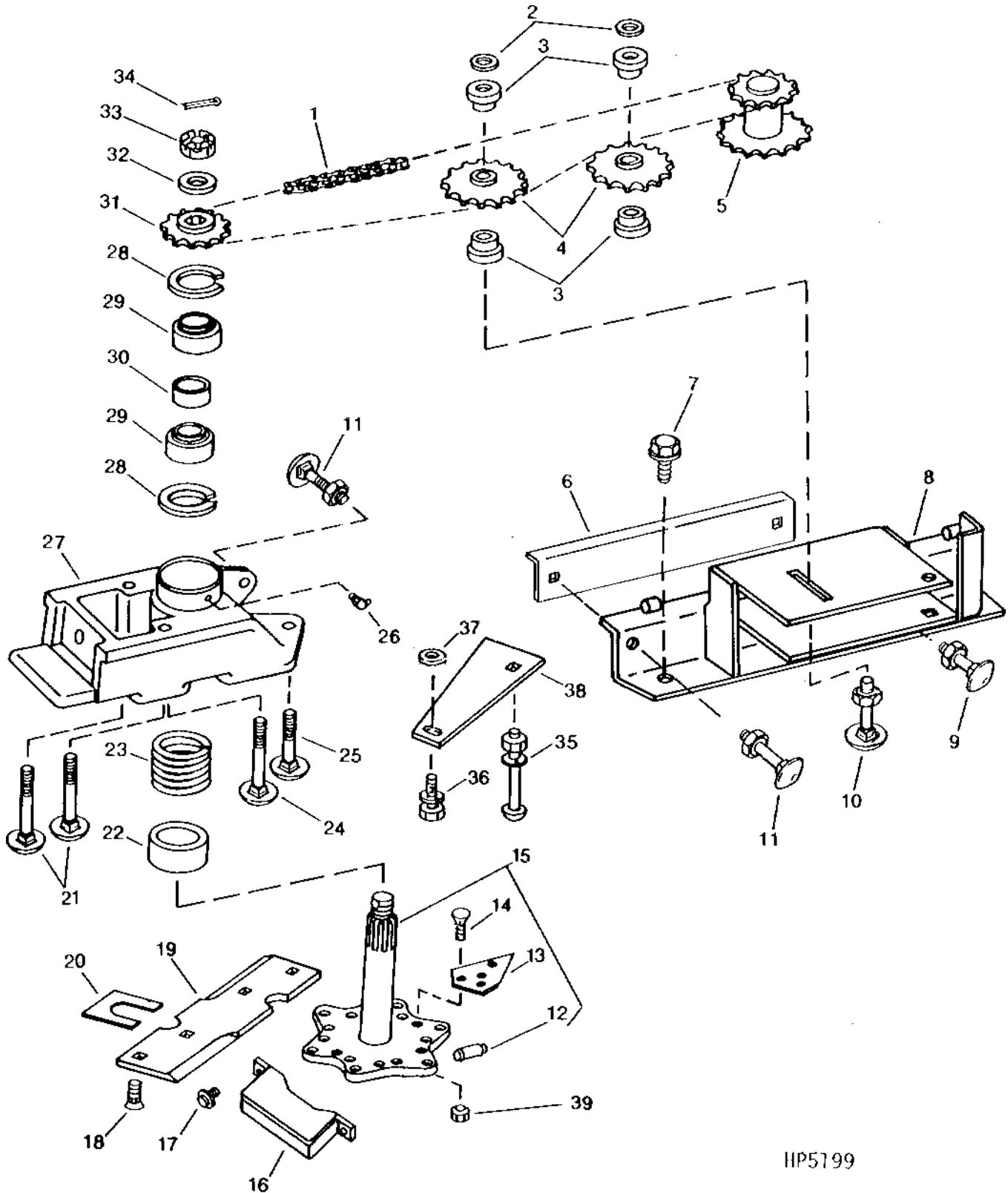
KNIFE DRIVE - CONTINUED  
(454A, 653A, 654A AND 853A)  
(655100- )

KEY	PART NO.	PART NAME	QTY	SERIAL NO.	REMARKS
1	AH112546	LINK CHAIN	1		ROLLER, DRIVE, TYPE 60, 3/4" PITCH, 74 LINKS
2	24H1338	WASHER	2		33/64" X 7/8" X 0.048"
3	AE27909	CHAIN SPROCKET	2		15 TEETH, TIGHTENER
4	AH101340	CHAIN SPROCKET	1		11 TEETH AND 12 TEETH, DRIVE
5	H97517	BUSHING	2		
6	H101463	STRIP	1		L.H.
7	37M7087	SCREW	2		SELF-TAPPING
8	AH101218	TIGHTENER	1		
9	AH143310	RAIL	1	-4MAR96	L.H.
	AH149696	RAIL	1	4MAR96-	
10	03M7191	BOLT	1		M10 X 25
	12H304	LOCK WASHER	1		3/8"
	14M7274	NUT	1		M10
11	03M7202	BOLT	2		M12 X 50
	12H301	LOCK WASHER	2		1/2"
	14M7275	NUT	2		M12
12	03M7192	BOLT	1		M10 X 30
	12H304	LOCK WASHER	1		3/8"
	14M7274	NUT	1		M10
13	24H1305	WASHER	1		13/32" X 13/16" X 0.065"
14	19M8568	CAP SCREW	1		M10 X 120

# G17

50A SERIES ROW-CROP HEADS

ROTATING KNIFE AND DRIVES  
(854A AND 1253A) (-630100)  
HP5199 -UN-01JAN94



HP5199

# G18

50A SERIES ROW-CROP HEADS

**ROTATING KNIFE AND DRIVES - CONTINUED**

**(854A AND 1253A)(-630100)**

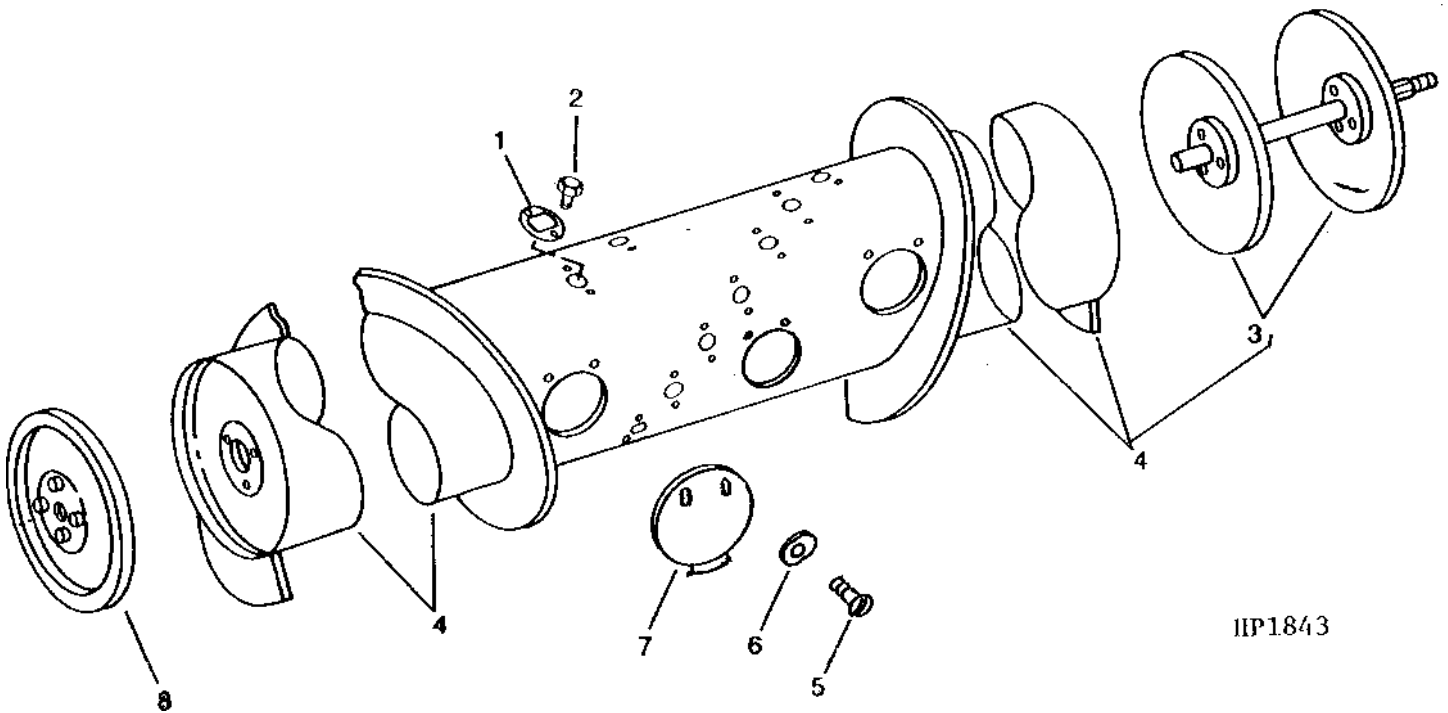
KEY	PART NO.	PART NAME	QTY	SERIAL NO.	REMARKS
1	AH112714	LINK CHAIN	1		ROLLER, DRIVE, TYPE 60, 3/4" PITCH, 77 LINKS
2	24H1850	WASHER	2		17/32" X 1-1/4" X 0.180"
	12H301	LOCK WASHER	2		1/2"
3	H114641	SPACER	4		
4	AE27909	CHAIN SPROCKET	2		15 TEETH, TIGHTENER
5	AH112724	CHAIN SPROCKET	1		11 TEETH AND 15 TEETH, DRIVE
6	H101463	STRIP	1		L.H.
7	H88188	SCREW	2		9.525 X 25.400 MM (3/8" X 1") SELF-TAPPING
8	AH112280	COMPLETE GOODS/SHIP. BUNDLE	1		L.H.
9	10H1026	BOLT	1		9.525 X 25.400 MM (3/8" X 1")
	12H304	LOCK WASHER	1		3/8"
	14H812	NUT	1		9.525 MM (3/8")
10	03H2114	BOLT	2		12.700 X 69.850 MM (1/2" X 2-3/4")
	12H301	LOCK WASHER	2		1/2"
	14H1040	NUT	2		12.700 MM (1/2")
11	10H1027	BOLT	2		9.525 X 31.750 MM (3/8" X 1-1/4")
	12H304	LOCK WASHER	2		3/8"
	14H812	NUT	2		3/8"
12	34H132	SPRING PIN	1		3/8" X 2"
13	H101607	SECTION	6	-640700	RIVET TYPE - NO LONGER USED
	H147109	KNIFE	6		BOLT ON TYPE
14	16H686	RIVET	18	-640700	1/4" X 7/8", NO LONGER USED
	H147110	BOLT	1		
15	AH103305	KNIFE	1	-640700	RIVET TYPE - NO LONGER USED
	AH143503	KNIFE	1		BOLT ON TYPE
16	H95938	SHIELD	1		
17	H76139	SCREW	2		7.938 X 19.050 MM (5/16" X 3/4") SELF-TAPPING
18	N103236	SCREW	1		12.700 X 25.400 MM (1/2" X 1") RECESSED
	12H308	LOCK WASHER	1		SOCKET 1/2"
19	H101606	STATIONARY KNIFE	1		(854A, -610550;1253A, -576773) (SUB H121709)
	H121709	KNIFE	1		
20	H100293	STRAP	AR		
21	03H1809	BOLT	AR		9.525 X 101.600 MM (3/8" X 4")
	12H304	LOCK WASHER	2		3/8"
	14H812	NUT	2		9.525 MM (3/8")
22	H101602	SPACER	1		
23	H101601	SPRING	1		
24	10H1055	BOLT	1		1/2" X 4-1/2"
	12H301	LOCK WASHER	1		1/2"
	14H1040	NUT	1		1/2"
25	10H1237	BOLT	1		12.700 X 63.500 MM (1/2" X 2-1/2")
	12H301	LOCK WASHER	1		1/2"
	14H1040	NUT	1		12.700 MM (1/2")
26	JD7806	LUBRICATION FITTING	1		
27	H101583	HOUSING	1	-476350	(SUB H110399)
	H110399	HOUSING	1		(854,-610550;1253,-615600) (SUB H121710)
	H121710	HOUSING	1		(SUB H149162)
28	P42232	SNAP RING	2		
29	JD10092	BALL BEARING	2		
30	H101603	SPACER	1		
31	AH112723	CHAIN SPROCKET	AR		15 DRIVE TEETH,(854A (8 USED), -610550,1253A (12 USED), -610600) (SUB AH117553 OR AH117559)
	AH117559	CHAIN SPROCKET	AR		15 TEETH, DRIVE (854A,-610550;1253A,-615600)
	AH117553	CHAIN SPROCKET	AR		15 TEETH, DRIVE (854A (8 USED),610551-, 1253A (12 USED),610601- )
32	24H1399	WASHER	1		19.837 X 41.275 X 4.572 MM (25/32" X 1-5/8" X 0.180")
33	J13155	NUT	1		3/4", SLOTTED
34	11M7083	COTTER PIN	1		3.200 X 50 MM
35	10H1177	BOLT	AR		3/8" X 4-1/2"
	12H304	LOCK WASHER	AR		3/8"
	14H812	NUT	AR		3/8"
36	19H1732	CAP SCREW	AR		9.525 X 31.750 MM (3/8" X 1-1/4")
	12H304	LOCK WASHER	AR		3/8"
37	24H1682	WASHER	AR		13/32" X 7/8" X 0.120"
38	H122345	PLATE	AR		
39	14M7165	LOCK NUT	18		M6

NOTE: QUANTITIES SHOWN ARE FOR 1-ROW ROW-CROP UNIT.

# G19

50A SERIES ROW-CROP HEADS

AUGER  
(-655099)  
HP1843 -UN-01JAN94



HP1843

# G20

50A SERIES ROW-CROP HEADS

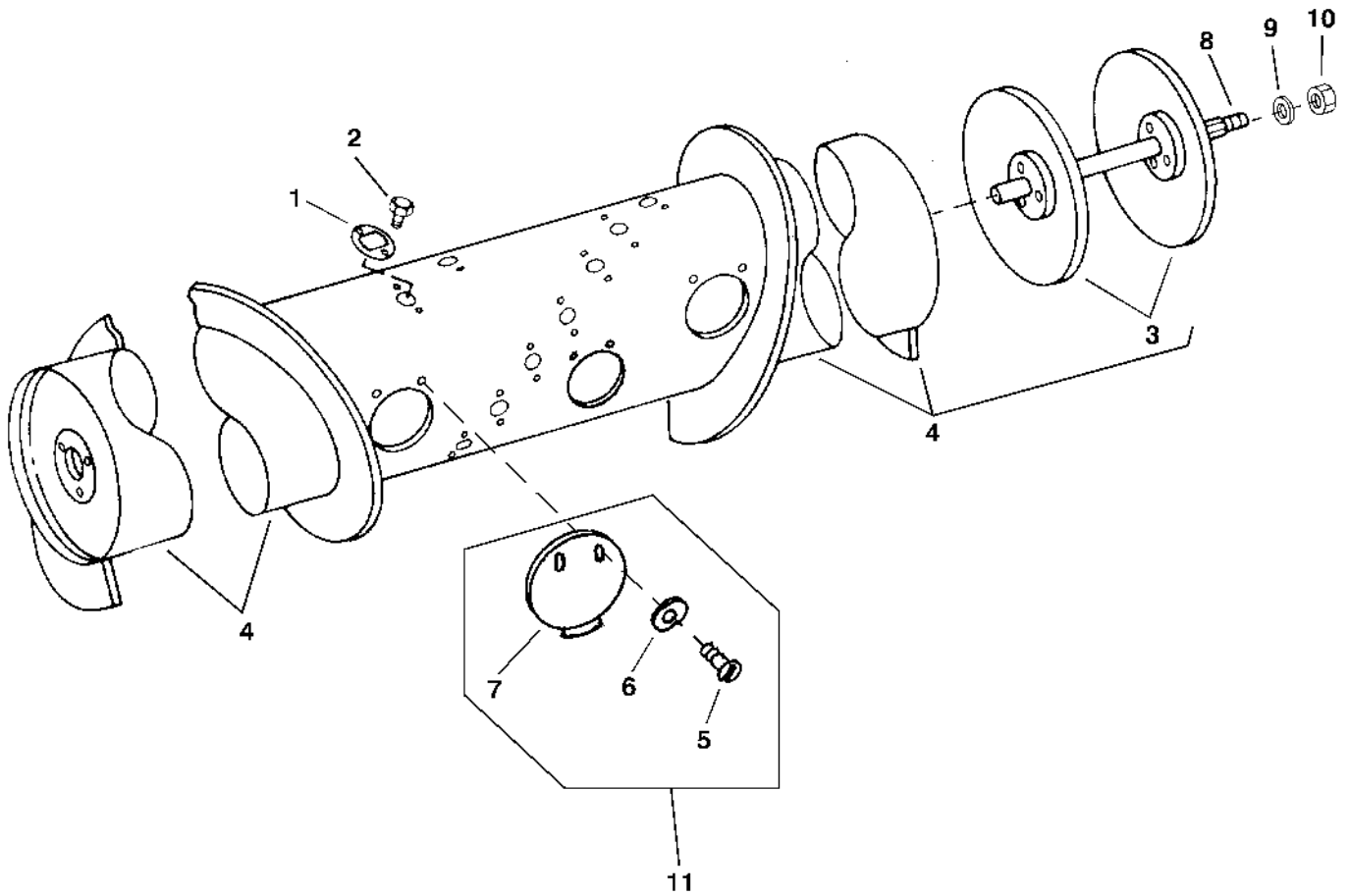
**AUGER - CONTINUED**

( -655099)

KEY	PART NO.	PART NAME	QTY	SERIAL NO.	REMARKS
1	H87193	COVER	AR		
2	H86918	SCREW	AR		
3	AH90223	DRIVER	1	-635100	
4	AH132334	DRIVER	1	635101-	(SUB AH142379)
	AH101458	AUGER	1	-575900	(453A) NO LONGER AVAILABLE, (SUB AH111312)
	AH111312	AUGER	1		(453A) (SUB AH143193)
	AH101459	AUGER	1	-575900	(454A) (SUB AH111313)
	AH111313	AUGER	1	575901-625108	(454A) (SUB AH131397)
	AH131397	AUGER	1	-635100	(454A) (SUB AH143578)
	AH131365	AUGER	1	635101-	(454A)
	AH101460	AUGER	1		(554A)
	AH101461	AUGER	1	-575900	(653A) (SUB AH111314)
	AH111314	AUGER	1	-625273	(653A) (SUB AH131398)
	AH131398	AUGER	1	-635100	(653A) (SUB AH143579)
	AH131366	AUGER	1	635101-	(653A)
	AH101462	AUGER	1	-575900	(SUB AH111315) (654A)
AH111315	AUGER	1	575901-625304	(654A) (SUB AH131399)	
AH131399	AUGER	1	-635100	(654A) (SUB AH143580)	
AH131367	AUGER	1	635101-	(654A)	
AH101464	AUGER	1	-575900	(655A AND 853A) (SUB AH111316)	
AH111316	AUGER	1	575901-625434	(655A AND 853A)	
AH131400	AUGER	1	-635100	(SUB AH143581) (853A)	
AH143581	AUGER	1		(SUB AH149331, AH159435 AND H135065) (853A)	
AH159435	AUGER	1		(853A)	
AH149331	KIT	1		(853A)	
H135065	SHAFT	1		(853A)	
AH131368	AUGER	1	635101-	(853A)	
AH111317	AUGER	1	576986-625453	(854A) (SUB AH131401)	
AH131401	AUGER	1		(854A) (SUB AH143194)	
AH111318	AUGER	1	576986-625502	(1253A) (SUB AH131402)	
AH131402	AUGER	1		(1253A) (SUB AH143195)	
AH143194	AUGER	1	-1JUL96	(854A)	
AH149193	AUGER	1	1JUL96-16FEB8	(854A)	
AH159439	AUGER	1	16FEB8-	(854A)	
AH149195	AUGER	1	1JUL96-16FEB8	(1253A)	
AH159440	AUGER	1	16FEB8-	(1253A)	
5	19H1919	CAP SCREW	4	-575900	1/4" X 5/8"
	19H1919	CAP SCREW	6	575901-	1/4" X 5/8"
6	P41706	NUT	4	-575900	6.350 MM (1/4") SPEED
	P41706	NUT	6	575901-	6.350 MM (1/4") SPEED, (SUB BP13712)
	BP13712	NUT	6		6.350 MM (1/4")
7	H87184	COVER	2	-575900	
	H87184	COVER	3	575901-635100	
	H136046	COVER	3	635101-	
8	AH88522	HUB	3	-610200	(SUB AH124929)
	AH124929	CYLINDER HEAD	3	-635100	

# G21

AUGER  
(655100- )  
HP6566 -UN-09DEC96



HP6566



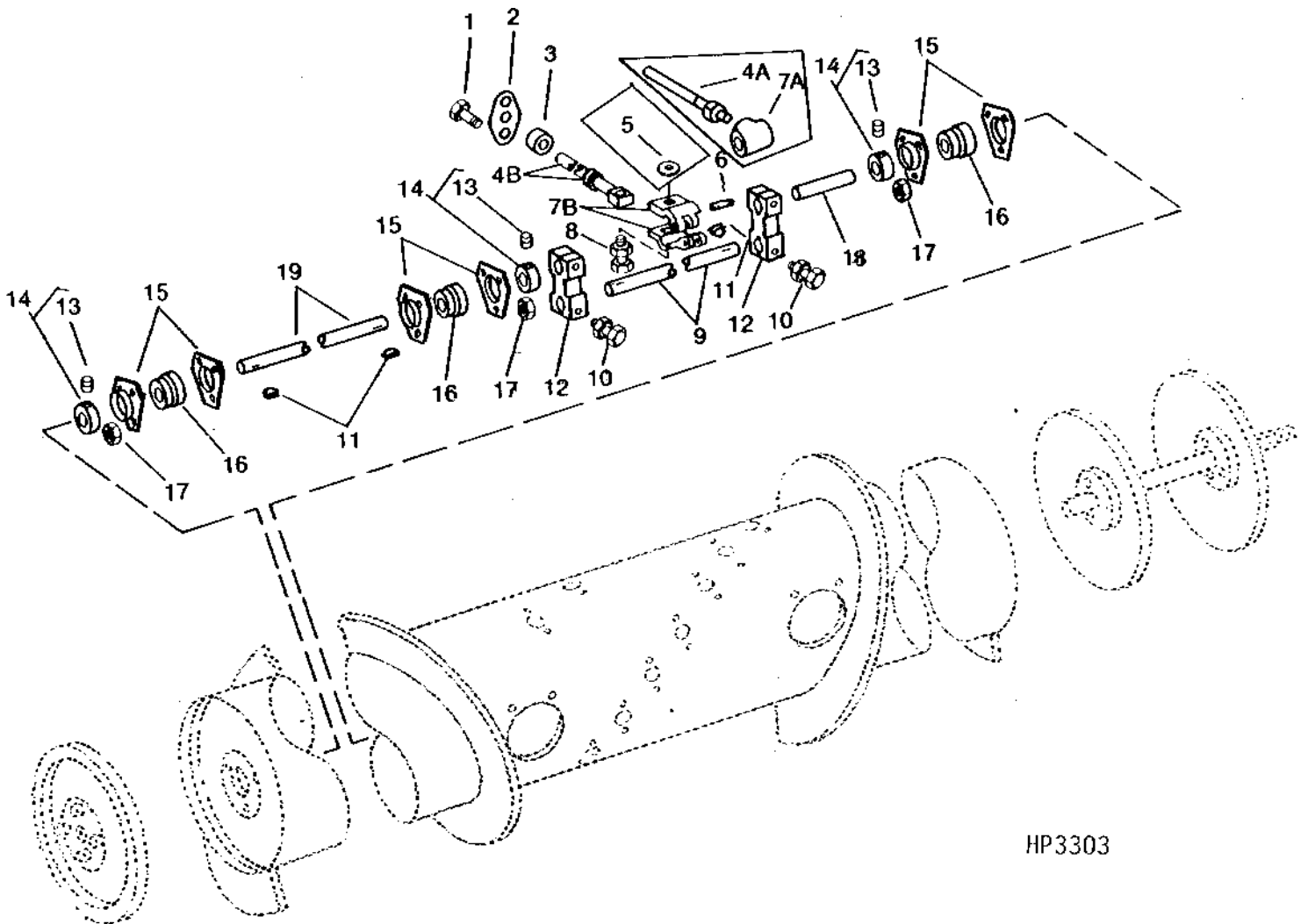
**AUGER - CONTINUED**  
(655100- )

KEY	PART NO.	PART NAME	QTY	SERIAL NO.	REMARKS
1	H87193	COVER	AR		
2	H86918	SCREW	AR		7.925 X 14.224 MM (5/16" X 0.560")
3	AH142379	DRIVER	1		(WELD) 29MM HEX
	AH148572	AUGER	1		(WELD) 35MM HEX
4	AH143109	AUGER	1	-665101	(454A)
	AH143110	AUGER	1	-665203	(653A)
	AH143111	AUGER	1	-665310	(654A)
	AH143112	AUGER	1	-665426	(853A)
	AH159432	AUGER	1	665102-	(SUB FOR AH149120) (454A)
	AH159433	AUGER	1	665204-	(SUB FOR AH149121) (653A)
	AH159434	AUGER	1	665311-	(SUB FOR AH149122) (654A)
	AH159435	AUGER	1	665427-	(SUB FOR AH149123) (853A)
	AH159439	AUGER	1		(SUB FOR AH143194 AND AH149193) (854A)
	AH159440	AUGER	1		(SUB FOR AH149195) (1253A)
5	19M7862	SCREW	6	-13MAY	M6 X 20
	19M7785	SCREW	6	13MAY-	M10 X 25
6	M84972	NUT	6		6 MM (0.236") SPEED
7	H136046	COVER	3		
8	AH148576	DRIVE SHAFT	1		(WELD) 35MM HEX
9	T29049	WASHER	1		(454A, 653A, 654A, 853A AND 1253A)
10	H149361	LOCK NUT	1		M20, (454A, 653A, 654A, 853A AND 1253A)
11	AH149333	KIT	1		

# G23

50A SERIES ROW-CROP HEADS

CROSS AUGER BEARINGS, SHAFTS AND FINGERS  
(453A, 454A, 653A, 654A, 655A AND 853A)  
(-655099)  
HP3303 -UN-01JAN94

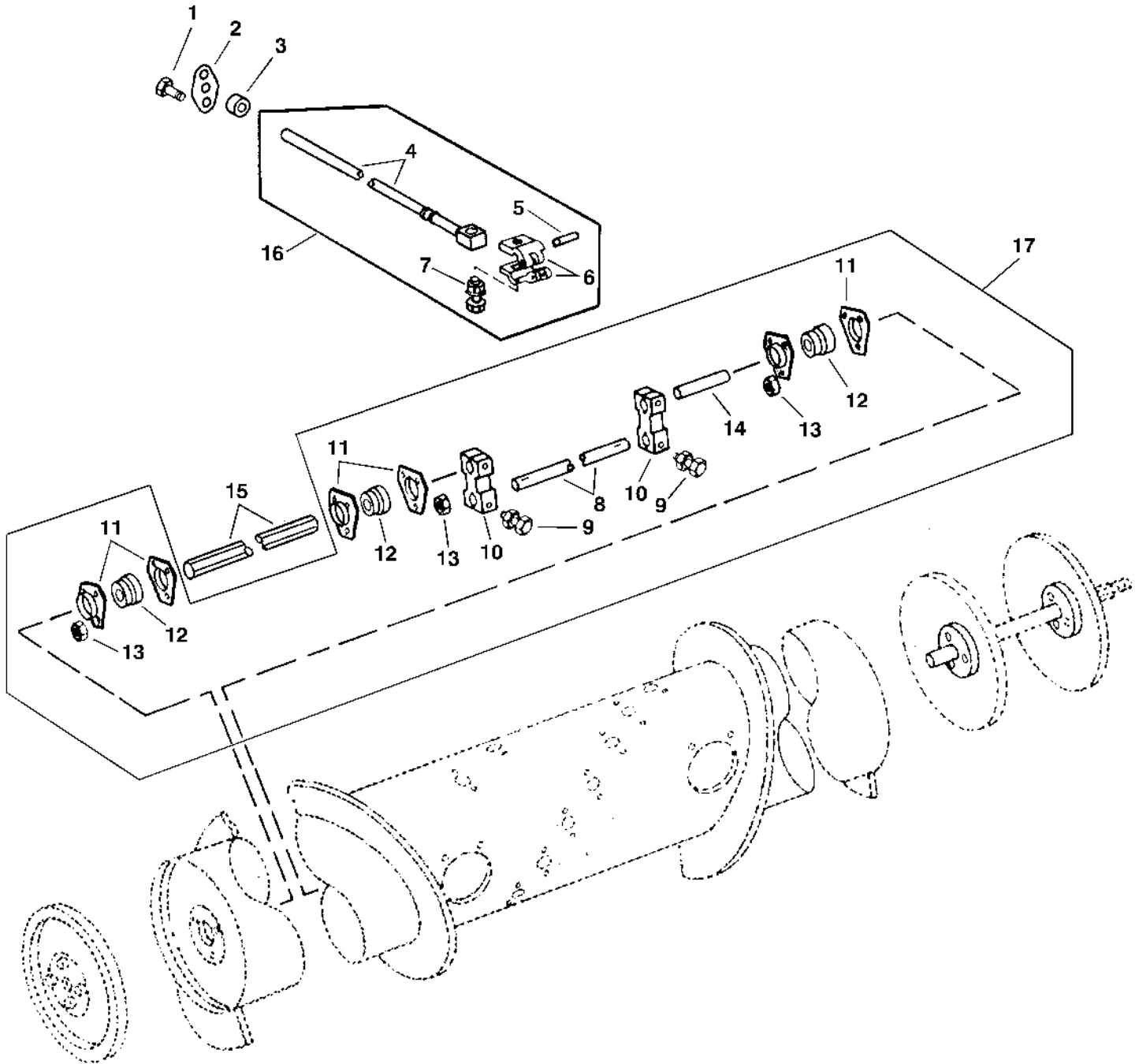


HP3303

**CROSS AUGER BEARINGS, SHAFTS AND FINGERS - CONTINUED**  
**(453A, 454A, 653A, 654A, 655A AND 853A)**  
**(-655099)**

KEY	PART NO.	PART NAME	QTY	SERIAL NO.	REMARKS
1	H86918	SCREW	AR		7.925 X 14.224 MM (5/16" X 0.560") (24-453A;22-454A;34-653A, 654A,853A)
2	H87192	CAP	AR		(12-453A;11-454A;17-653A,654A, 853A)
3	H87044	GUIDE	AR		(17-453A;11-454A;17-653A, 654A, 853A)
4A	H87069	FINGER	AR	-426350	(12-453A,454A,653A,654A;18-853A)
4B	H102724	FINGER	AR	426351-	(SUB H150050) (12-453A;11-454A;17-653A, 654A, 655A, 853A)
5	24H1685	WASHER	1	426351-535210	11/32" X 47/64" X 0.083"
6	34H318	SPRING PIN	1	426351-	1/4" X 1-7/8"
7A	AH87944	BEARING	AR	-426350	(SUB H102724, H103046 AND M40699)
7B	H103046	BEARING	AR	426351-428465	(24-453A,454A,653A,654A;36-853A) (SUB AH107066)
	AH107066	BEARING	AR	428466-	(12-453A,454A,653A AND 654A;18-655A AND 853A)
8	19H1875	CAP SCREW	AR	426351-535210	5/16" X 1-3/4", (12-453A,454A,653A,654A;18-655A AND 853A)
	T16464	LOCK NUT	AR	-535210	LOCKING
	H110729	SCREW	AR	535211-526820	(12-453A; 11-454A;17-653A, 654A, 853A) (SUB 19H3549)
	19M8317	SCREW	AR		M8 X 40, (12-453A,454A,653A,654A;18-655A AND 853A)
	H110730	FLANGE NUT	AR	535211-	7.925 MM (5/16")
9	H87257	SHAFT	1	-635100	
	H136247	PIN	1	635101-	
10	19H1726	CAP SCREW	4	-635100	3/8" X 2-1/4"
	19M8292	SCREW	4	635101-	M10 X 50
	E50102	LOCK NUT	4	-635100	9.525 MM (3/8")
	H135891	LOCK NUT	4	635101-	M10
11	26H14	SHAFT KEY	4		3/16" X 3/4" (454A,-620133; 653A,-620383; 654A,-620333; 655A AND 853A,-620507)
	26H77	SHAFT KEY	4	-635100	3/16" X 3/4"
12	H89701	CRANK	2	-610100	(453A) (SUB H118913)
	H118913	CRANK	2		(453A)
	H89701	CRANK	2	-610200	(454A) (SUB H118913)
	H118913	CRANK	2	-635100	(454A)
	H89701	CRANK	2	-610300	(653A) (SUB H118913)
	H118913	CRANK	2	-635100	(653A)
	H89701	CRANK	2	-610400	(654A) (SUB H118913)
	H118913	CRANK	2	-635100	(654A)
	H89701	CRANK	2	-610450	(655A) (SUB H118913)
	H118913	CRANK	2	-635100	(655A)
	H89701	CRANK	2	-610500	(853A) (SUB H118913)
	H118913	CRANK	2	-635100	(853A)
	H136246	CRANK	2	635101-	(454A, 653A, 655A AND 853A)
13	22H897	SET SCREW	3		1/4" X 1/4"
14	JD8551	ECCENTRIC LOCKING COLLAR	3		
15	P45502	PRESSED FLANGED HOUSING	6	-575900	(SUB E10018, THIS APPLICATION)
	E10018	PRESSED FLANGED HOUSING	6	-635100	
	H103265	PRESSED FLANGED HOUSING	6	635101-	(ORDER H161529)
	H161529	PRESSED FLANGED HOUSING	6		
16	JD8552	BALL BEARING	3	-635100	
	AN102010	BEARING	3	635101-	
17	E55662	FLANGE NUT	9		9.525 MM (3/8")
18	H94708	PIN	1		R.H.
19	H101759	SHAFT	1		L.H., AUGER (453A)
	H101760	SHAFT	1	-635100	L.H., AUGER (454A)
	H135062	SHAFT	1	635101-	(454A)
	H101762	SHAFT	1	-635100	L.H., AUGER (653A)
	H135063	SHAFT	1	635101-	(653A)
	H101763	SHAFT	1	-635100	L.H., AUGER (654A)
	H135064	SHAFT	1	635101-	(654A)
	H101764	SHAFT	1	-635100	L.H., AUGER (655A AND 853A)
	H135065	SHAFT	1	635101-	(853A)

CROSS AUGER BEARINGS, SHAFTS AND FINGERS  
(454A, 653A, 654A AND 853A)  
(655100- )  
HP6567 -UN-09DEC96



HP6567

# H2

**CROSS AUGER BEARINGS, SHAFTS AND FINGERS - CONTINUED**  
**(454A, 653A, 654A AND 853A)**  
**(655100- )**

KEY	PART NO.	PART NAME	QTY	SERIAL NO.	REMARKS
1	H86918	SCREW	AR		(24-454A; 34-653A,654A AND 853A)
2	H87192	CAP	AR		(12-454A; 17-653A, 654A AND 853A)
3	H87044	GUIDE	AR		(12-454A; 17-653A, 654A AND 853A)
4	H150050	FINGER	AR	-685100	(12-454A;17-653A,654A AND 853A) SUB H162662
	H162662	FINGER	AR		
5	34H318	SPRING PIN	AR		1/4" X 1-7/8", (12-454A; 17-653A, 654A, AND 853A)
6	AH107066	BEARING	AR	-685100	(12-454A; 17-653A, 654A AND 853A) SUB AH164128 WITH 19M8317
	AH164128	SUPPORT	AR		
7	19M8319	SCREW	AR	-685100	M8 X 50, (USE WITH AH107066)
	19M8317	SCREW	AR	685101-	M8 X 40, (USE WITH AH164128)
	14M7396	LOCK NUT	AR	-685100	M8, (USE WITH AH107066)
	H169205	NUT	AR	685101-	(USE WITH AH164128)
8	H166762	SHAFT	1		
9	19M7817	SCREW	4		M12 X 70, (USE (2) WITH H167350)
	03M7380	BOLT	4		M12 X 70, (USE (2) WITH H174360)
	H137329	LOCK NUT	4		M12
10	H167350	CRANK	2		(454A, 653A AND 853A) SUB H174360 WITH (2) 03M7380
	H174360	CRANK	2		
11	H103265	PRESSED FLANGED HOUSING	6	-16FEB8	
	H161529	PRESSED FLANGED HOUSING	6	16FEB8-	
12	AN102010	BEARING	3		
13	E55662	FLANGE NUT	9	-13MAY	
	14M7296	FLANGE NUT	9	13MAY-	M10
14	H165099	BAR	1		R.H.
	H135059	SHAFT	1		L.H. (853A)
15	H135062	SHAFT	1		(454A)
	H135063	SHAFT	1		(653A)
	H135064	SHAFT	1		(654A)
	H135065	SHAFT	1		(853A)
16	AH143705	FINGER	AR	-665100	(SUB AH107066, 14M7396 AND 19M8319) (11-454A;17-653A,654A AND 853A)
17	AH149331	KIT	1	13MAY-	

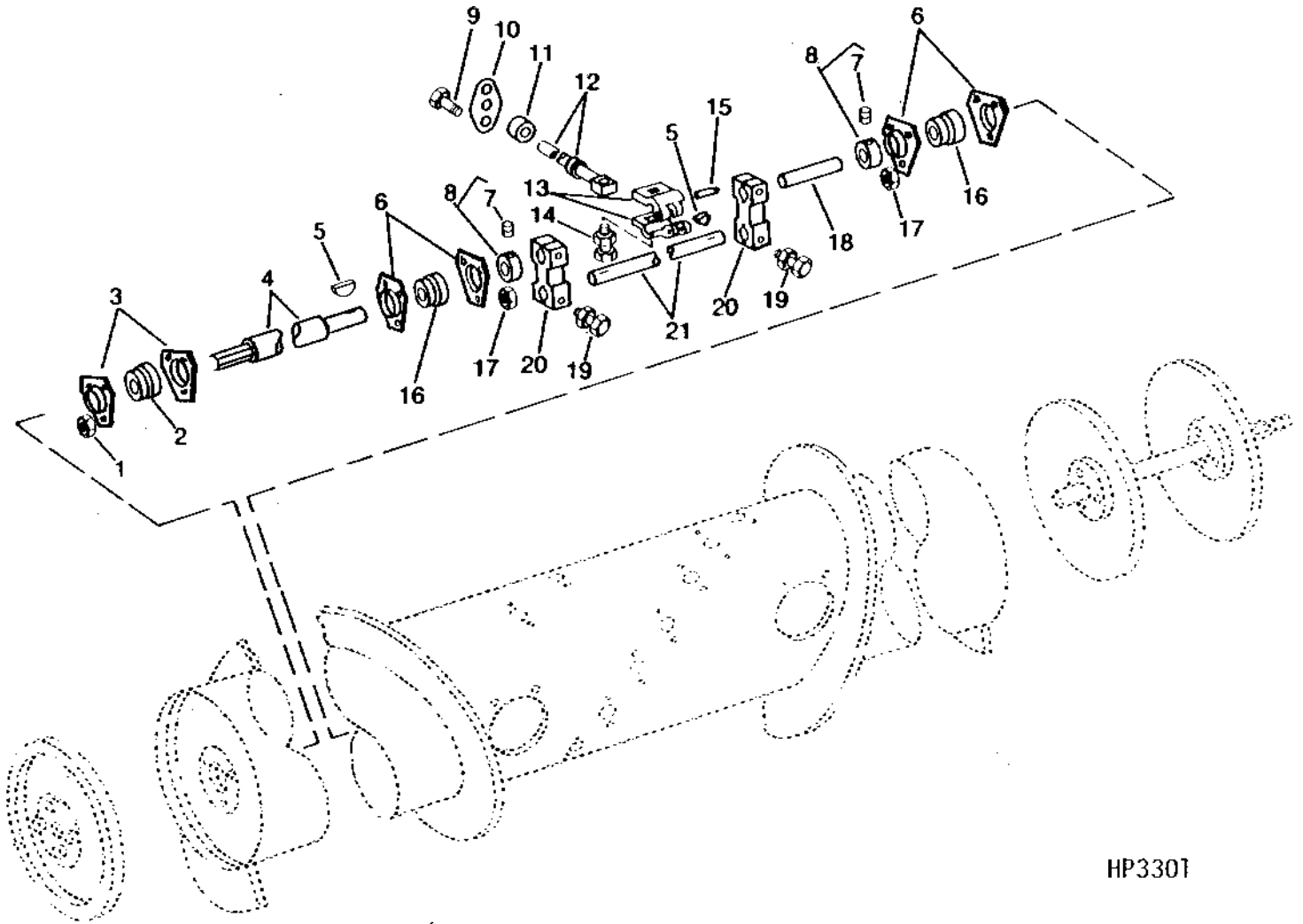
# H3

50A SERIES ROW-CROP HEADS

## CROSS AUGER BEARINGS, SHAFTS AND FINGERS

(854A AND 1253A) ( -630100)

HP3301 -UN-01JAN94



HP3301

# H4

50A SERIES ROW-CROP HEADS

**CROSS AUGER BEARINGS, SHAFTS AND FINGERS - CONTINUED**  
**(854A AND 1253A) ( -630100)**

KEY	PART NO.	PART NAME	QTY	SERIAL NO.	REMARKS
1	E50102	LOCK NUT	3		9.525 MM, (854A, -610550; 1253A, -615600)
	12H304	LOCK WASHER	12		9.525 MM (3/8") (854A, -610550; 1253A, -615600)
	E55662	FLANGE NUT	3		9.525 MM (3/8") (854A, 610551- ; 1253A, 615601- )
2	AN102010	BEARING	1		
3	H103265	PRESSED FLANGED HOUSING	2		(ORDER H161529)
	H161529	PRESSED FLANGED HOUSING	2		
4	AH112235	SHAFT	1		L.H. AUGER (854A) (NO LONGER AVAILABLE)
	AH112236	SHAFT	1		L.H., AUGER (1253A) (NO LONGER AVAILABLE)
5	26H77	SHAFT KEY	4		3/16" X 3/4"
6	E10018	PRESSED FLANGED HOUSING	4		
7	22H897	SET SCREW	2		1/4" X 1/4"
8	JD8551	ECCENTRIC LOCKING COLLAR	2		
9	H86918	SCREW	36		7.925 X 14.224 MM (5/16" X 0.560")
10	H87192	CAP	18		
11	H87044	GUIDE	18		
12	H150050	FINGER	18		
13	AH107066	BEARING	AR		
14	19H3549	CAP SCREW	AR		7.925 X 44.450 MM (5/16" X 1-3/4")
	H110730	FLANGE NUT	AR		7.925 MM (5/16")
15	34H318	SPRING PIN	AR		1/4" X 1-7/8"
16	JD8552	BALL BEARING	2		
17	E55662	FLANGE NUT	6		9.525 MM (3/8")
18	H94708	PIN	1		R.H.
19	19H1726	CAP SCREW	4		9.525 X 57.150 MM (3/8" X 2-1/4")
	E50102	LOCK NUT	4		9.525 MM (3/8")
20	H89701	CRANK	2	-610550	(SUB H118913) (854A AND 1253A)
	H118913	CRANK	2		(854A AND 1253A)
21	H87257	SHAFT	1		

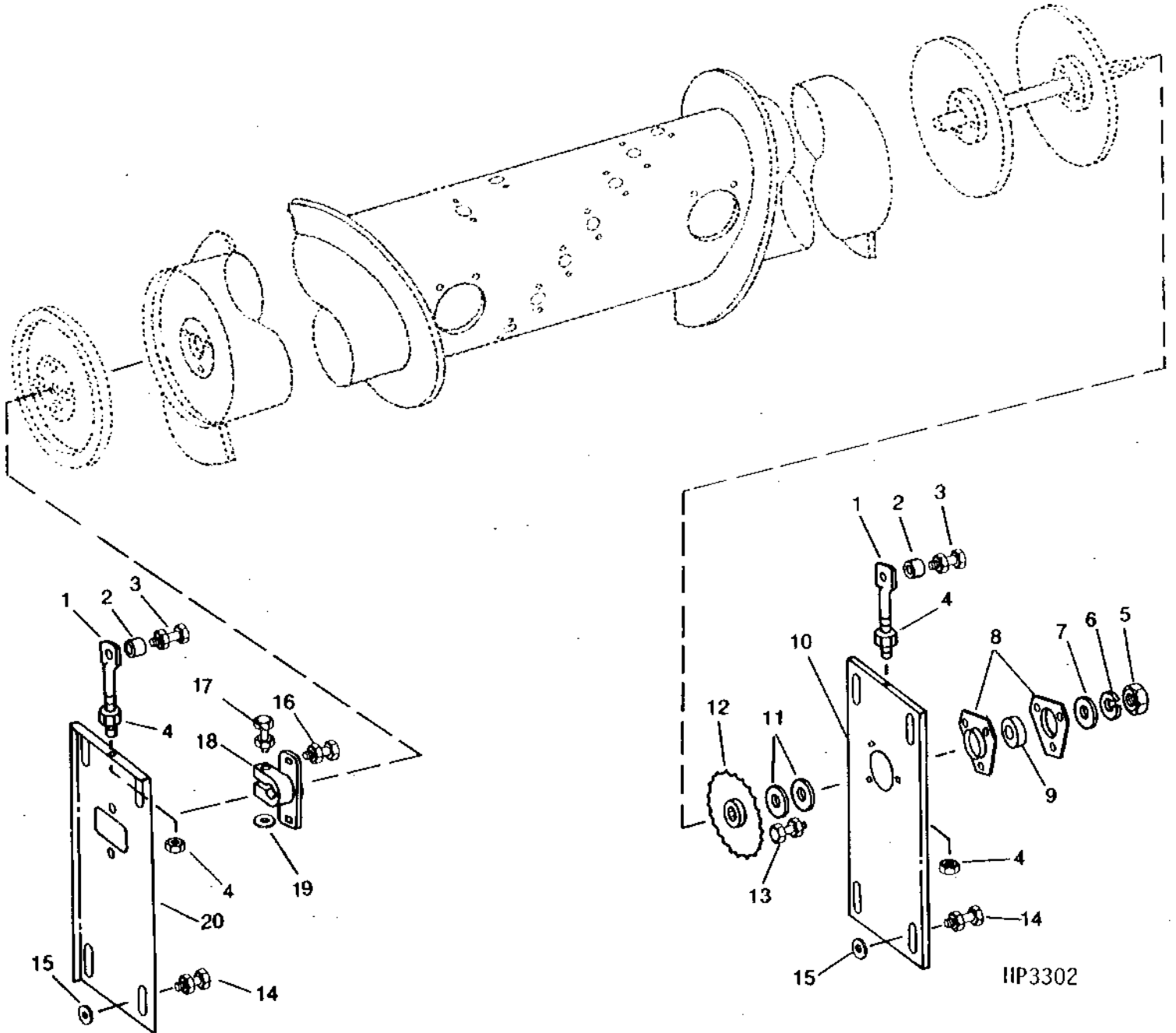
# H5

50A SERIES ROW-CROP HEADS

## CROSS AUGER BRACKETS

(-655099)

HP3302 -UN-01JAN94





# H6

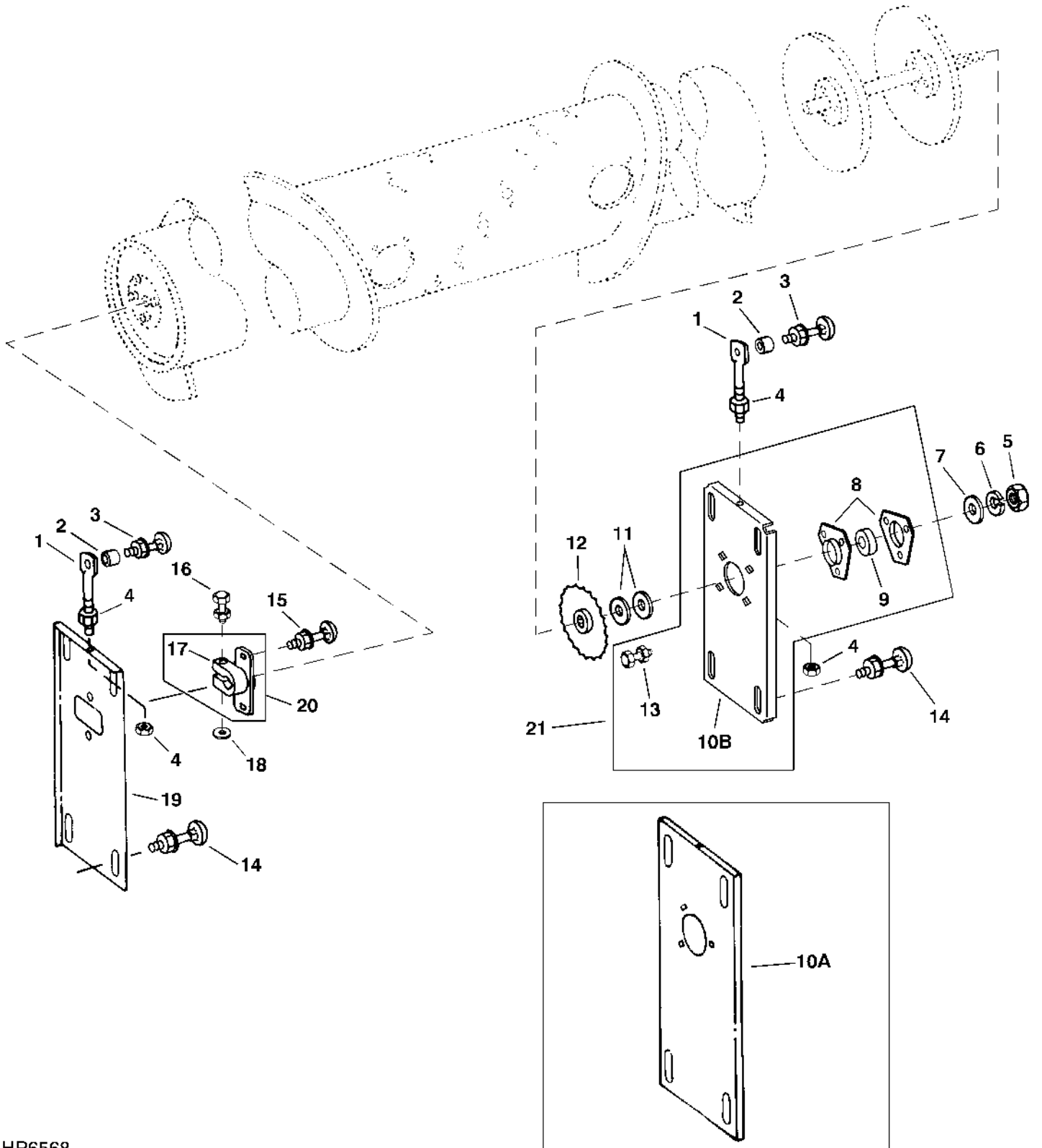
50A SERIES ROW-CROP HEADS

**CROSS AUGER BRACKETS - CONTINUED**  
( -655099)

KEY	PART NO.	PART NAME	QTY	SERIAL NO.	REMARKS
1	H75371	EYEBOLT	2	-635100	(SUB H87395)
	H87395	EYEBOLT	2		
2	H78537	BUSHING	2		
3	03H1557	BOLT	2		3/8" X 1-1/4"
	12H304	LOCK WASHER	2		3/8"
	14H812	NUT	2		3/8"
4	14H1040	NUT	4		1/2"
5	14H794	NUT	1		3/4"
6	12H236	LOCK WASHER	1		3/4"
7	24H1399	WASHER	1		25/32" X 1-5/8" X 0.180"
8	C3994E	PRESSED FLANGED HOUSING	2		(854A,-620463; 1253A,-620511)
	H103265	PRESSED FLANGED HOUSING	2		(ORDER H161529) (454A, 653A, 654A AND 853A)
	H161529	PRESSED FLANGED HOUSING	2		
9	AN102010	BEARING	1		
10	H88594	BRACKET	1	-635100	R.H. (453A, 454A, 653A, 654A, 655A AND 853A) (SUB H137029)
	H137029	BRACKET	1		R.H. (454A, 653A, 654A, 853A)
	H112975	BRACKET	1		R.H. (854A AND 1253A)
11	24H1513	WASHER	2		1-13/32" X 2" X 0.060"
12	AH89638	CHAIN SPROCKET	1		60 TEETH, DRIVE
13	03H1765	BOLT	3		3/8" X 3/4"
	E55662	FLANGE NUT	3		
14	03H1500	BOLT	8		3/8" X 1"
	12H304	LOCK WASHER	8		3/8"
	14H812	NUT	8		3/8"
15	24H1305	WASHER	8	-576110	13/32" X 13/16" X 0.065"
16	03H1522	BOLT	2		1/2" X 1-1/4"
	12H301	LOCK WASHER	2		1/2"
	14H1040	NUT	2		1/2"
17	19H1726	CAP SCREW	1		3/8" X 2-1/4"
	E55662	FLANGE NUT	1		3/8"
18	H101660	SUPPORT	1		L.H. (453A, 454A, 653A, 654A, 655A AND 853A)
	H114531	SUPPORT	1		(854A AND 1253A)
19	24H1305	WASHER	1		13/32" X 13/16" X 0.065"
	24H1311	WASHER	8	576111-	13/32" X 1-1/4" X 0.220"
20	H101758	BRACKET	1	-635100	L.H. (453A, 454A, 653A, 654A, 655A AND 853A) (SUB H137030)
	H137030	BRACKET	1		L.H. (454A, 653A, 654A, 853A)
	H112976	BRACKET	1		L.H. (854A AND 1253A)

## CROSS AUGER BRACKETS

(655100- )  
HP6568 -UN-09DEC96



HP6568

# H8

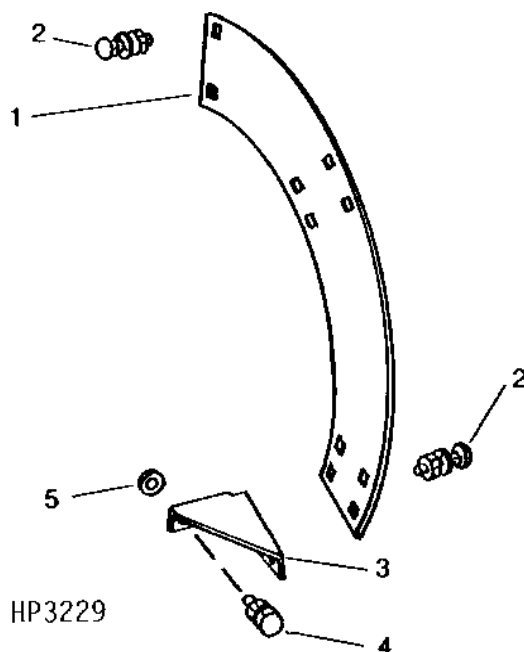
50A SERIES ROW-CROP HEADS

**CROSS AUGER BRACKETS - CONTINUED**  
(655100- )

KEY	PART NO.	PART NAME	QTY	SERIAL NO.	REMARKS
1	H147699	EYEBOLT	2		
2	H149171	BUSHING	2		
3	03M7192	BOLT	2		M10 X 30
	14M7296	FLANGE NUT	2		M10
4	14M7275	NUT	4		M12
5	H149361	LOCK NUT	1		M20
6	12H236	LOCK WASHER	1		3/4"
7	T29049	WASHER	1		20.625 X 56.896 X 6.350 MM
8	H103265	PRESSED FLANGED HOUSING	2	-670100	(ORDER H161529)
	E62484	PRESSED FLANGED HOUSING	2	670101-	
	H161529	PRESSED FLANGED HOUSING	2	-670100	
9	AN102010	BEARING	1	-670100	
	AE37204	BEARING	1	670101-	
10A	H137029	BRACKET	1	-670100	R.H.
10B	H156115	BRACKET	1	670101-	R.H.
11	24H1513	WASHER	2		1-13/32" X 2" X 0.060"
12	AH89638	CHAIN SPROCKET	1	-670100	60 TEETH, DRIVE
	AH148907	CHAIN SPROCKET	1	670101-	60 TEETH
13	03M7190	BOLT	3	-670100	M10 X 20
	14M7296	FLANGE NUT	3	-670100	M10
	03M7197	BOLT	4	670101-	M12 X 25
	14M7299	FLANGE NUT	4	670101-	M12
14	03M7191	BOLT	8		M10 X 25
	14M7296	FLANGE NUT	8		M10
15	03M7200	BOLT	2		M12 X 40
	14M7299	FLANGE NUT	2		M12
16	19M7807	SCREW	1		M10 X 60
	14M7296	FLANGE NUT	1		M10
17	H135196	SUPPORT	1		L.H.
18	24H1305	WASHER	1		13/32" X 13/16" X 0.065"
	24H1311	WASHER	8		13/32" X 1-1/4" X 0.220"
19	H137030	BRACKET	1		L.H.
20	AH149331	KIT	1		(NO LONGER AVAILABLE)
21	AH149333	KIT	1		

# H9

**AUGER FLIGHT EXTENSIONS**  
**(454A, 653A, 654A AND 853A)**  
**(-655100)**  
 HP3229 -UN-01JAN94

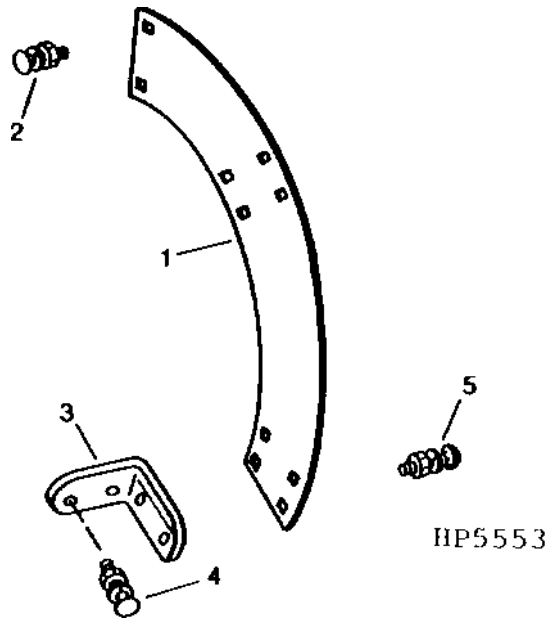


KEY	PART NO.	PART NAME	QTY	SERIAL NO.	REMARKS
1	H130934	EXTENSION	1	-650100	R.H.
	H145952	EXTENSION	1	650101-	R.H.
	H130935	FLIGHT	1	-650100	L.H.
	H145953	EXTENSION	1	650101-	L.H.
	H146328	FLIGHT	1	645101-	(SUB AH143317) R.H. FOR RICE
	H146329	FLIGHT	1	645101-	(SUB AH143316) L.H. FOR RICE
2	03H1540	BOLT	12	-650100	5/16" X 3/4"
	N10213	LOCK NUT	12	-650100	7.925 MM (5/16")
3	H111905	GUSSET	2		L.H.
	H111904	GUSSET	2		R.H.
4	19H3411	CAP SCREW	6	-650100	3/8" X 1-1/8"
	19H1906	CAP SCREW	8	650101-	5/16" X 1-1/2"
	12H304	LOCK WASHER	6	-650100	3/8"
	12M7065	LOCK WASHER	8	650101-	0.319"
	14H812	NUT	6	-650100	3/8"
	A22698	NUT	8	650101-	7.925 MM (5/16")
5	24H1308	WASHER	6	-650100	13/32" X 1" X 0.134"
	24H1308	WASHER	8	650101-	13/32" X 1" X 0.134"

# H10

50A SERIES ROW-CROP HEADS

AUGER FLIGHT EXTENSIONS  
 (454A, 653A, 654A AND 853A)  
 (655101- )  
 HP5553 -UN-01JAN94

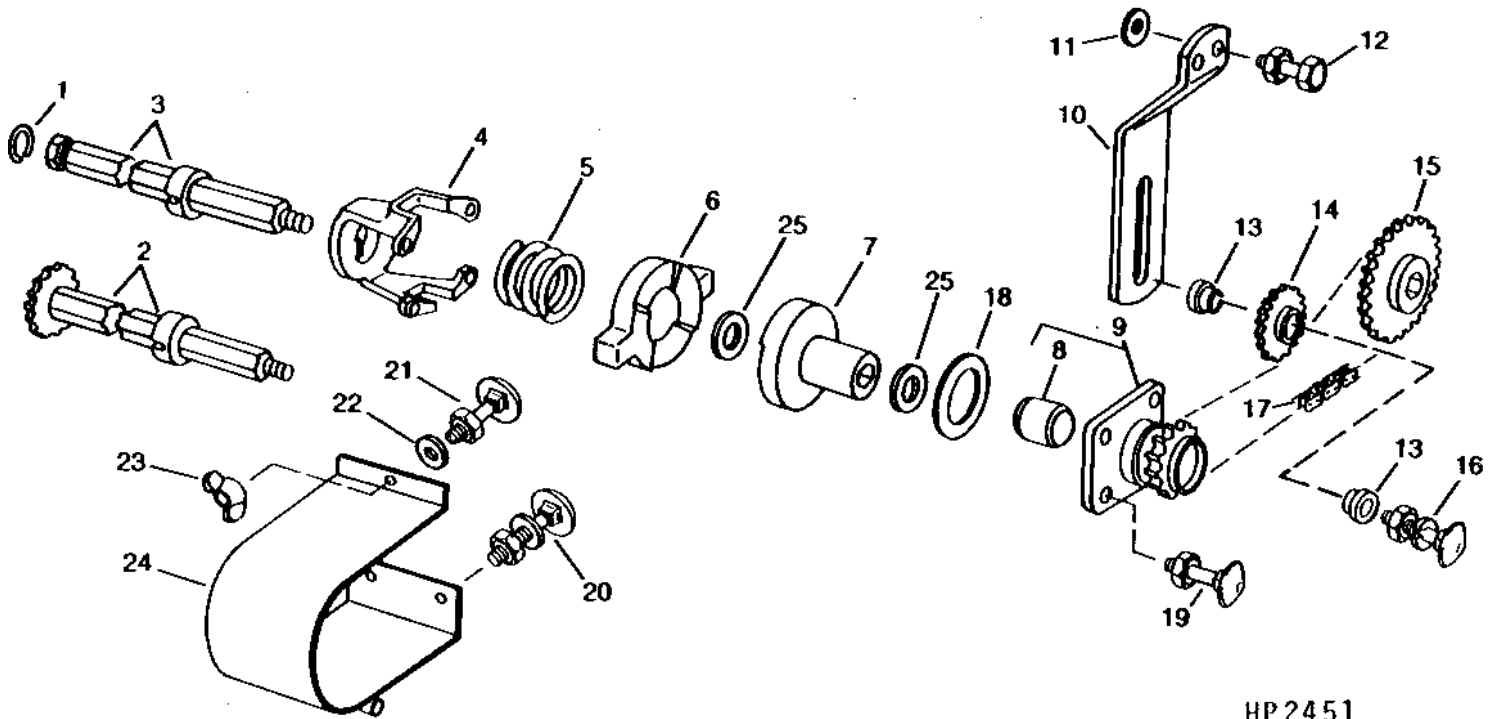


KEY	PART NO.	PART NAME	QTY	SERIAL NO.	REMARKS
1	H145952	EXTENSION	1	R.H.	
	H145953	EXTENSION	1	L.H.	
2	03M7184	BOLT	4	M8 X 20	
	14M7298	FLANGE NUT	4	M8	
3	H145998	GUSSET	2	L.H.	
	H145997	GUSSET	2	R.H.	
4	19M7323	CAP SCREW	8	M8 X 40	
	24H1308	WASHER	16	13/32" X 1" X 0.134"	
	12M7065	LOCK WASHER	8	8.100 MM (0.319")	
	14M7298	FLANGE NUT	8	M8	
5	03M7186	BOLT	8	M8 X 30	
	14M7298	FLANGE NUT	8	M8	

# H11

50A SERIES ROW-CROP HEADS

AUGER DRIVE  
(-655099)  
HP2451 -UN-01JAN94



HP2451

# H12

50A SERIES ROW-CROP HEADS

**AUGER DRIVE - CONTINUED**

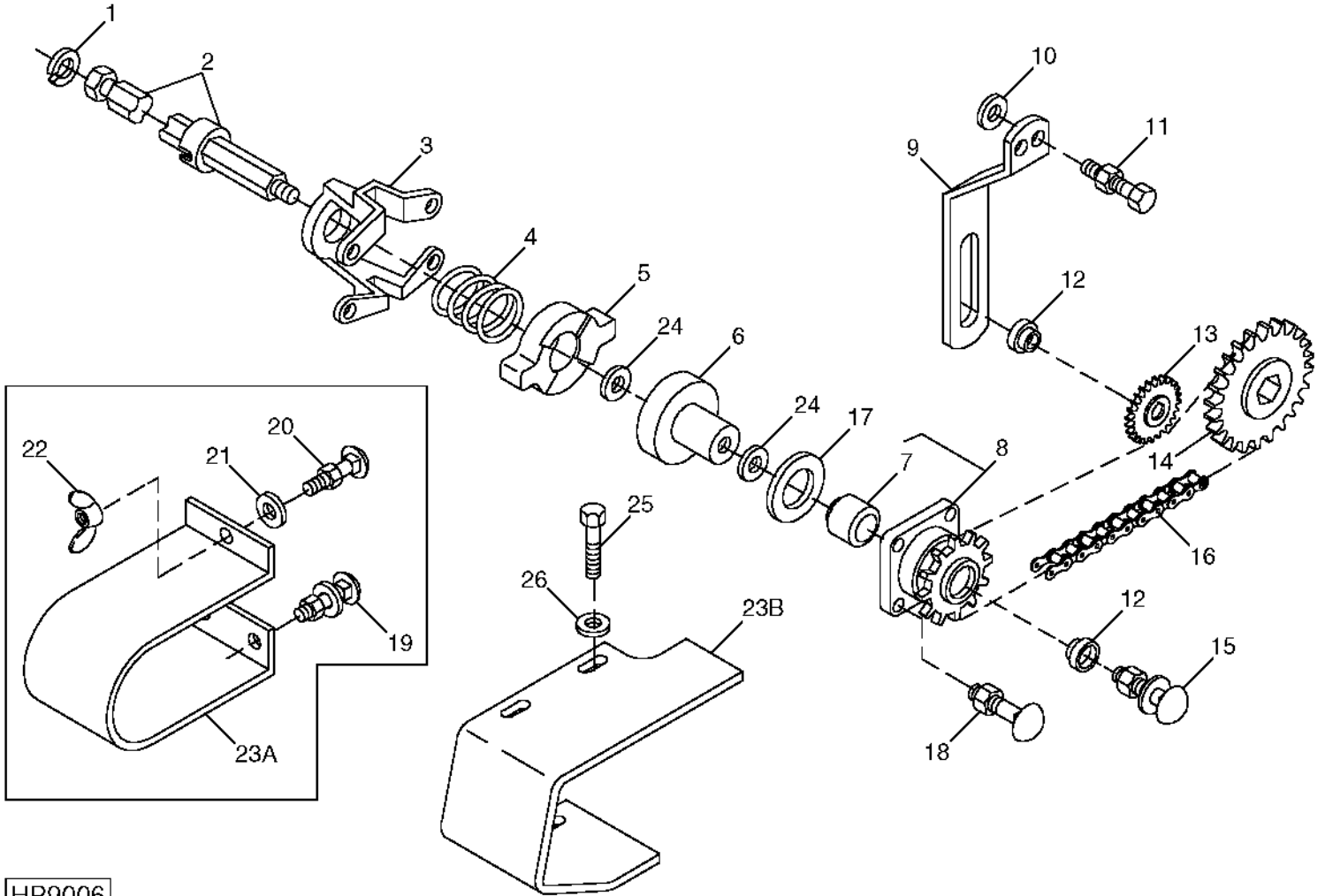
( -655099)

KEY	PART NO.	PART NAME	QTY	SERIAL NO.	REMARKS
1	H80926	SNAP RING	1		(454A, 653A, 654A, 655A AND 853A)
2	AH97933	DRIVE SHAFT	1		(SUB AH143739) (453A)
	AH143739	SHAFT	1		(453A)
	AH145847	SHAFT	1		306.3 MM (12 IN.) (453A)
3	AH97934	DRIVE SHAFT	1		(SUB AH143084) (454A) (660.5 MM (26 IN.))
	AH97938	DRIVE SHAFT	1		(SUB AH143085) (653A) (1 041.5 MM (41 IN.))
	AH97940	DRIVE SHAFT	1		(SUB AH143086) (654A) (1 549.5 MM (61 IN.))
	AH97944	DRIVE SHAFT	1		(655A AND 853A) (1 803.5 MM (71 IN.)) (SUB AH143087)
	AH105015	DRIVE SHAFT	1		(854A) (2 516.5 MM (99 IN.)) (SUB AH143740)
	AH143740	SHAFT	1		(SUB AH145828) (854A)
	AH145828	SHAFT	1		2516.5 MM (99 IN.) (854A)
	AH105013	DRIVE SHAFT	1		(1253A) (3 329.5 MM (131 IN.)) (SUB AH143741)
	AH143741	SHAFT	1	-655211	(SUB AH145885) (1253A)
	AH145885	SHAFT	1		2166.1 MM (85-1/4 IN.) (1253A)
4	H112654	HOUSING	1		(SUB FOR H100363)
5	H101276	SPRING	1		
6	H101677	JAW	1		
7	H101678	HUB	1		
8	G6579E	BUSHING	1		
9	AH120806	CHAIN SPROCKET	1		13 TEETH, (USE WITH H125405) (SUB FOR AH97927) (SUB AH143100)
10	H96762	STRAP	1		
11	24H1111	WASHER	1		17/32" X 1-1/16" X 0.090"
12	19H1731	CAP SCREW	2		3/8" X 1"
	E55662	FLANGE NUT	2		
13	H97517	BUSHING	2		
14	AE27909	CHAIN SPROCKET	1		15 TEETH, TIGHTENER
	AN31211	CHAIN SPROCKET	1		(SUB AE27909) 15 TEETH, TIGHTENER (854A AND 1253A)
15	AH89638	CHAIN SPROCKET	1		60 TEETH
16	03H1503	BOLT	1		1/2" X 2-1/2"
	12H301	LOCK WASHER	1		1/2"
	14H1040	NUT	1		1/2"
17	AH90208	LINK CHAIN	1		ROLLER, DRIVE, TYPE 60, 3/4" PITCH, 99 LINKS
18	H99303	WASHER	1		
19	03H1495	BOLT	4		3/8" X 1-1/2"
	12H304	LOCK WASHER	4		3/8"
	14H812	NUT	4		3/8"
20	03H1540	BOLT	2		5/16" X 3/4"
	A22698	NUT	2		7.925 MM (5/16")
21	03H1709	BOLT	1		5/16" X 1"
	A22698	NUT	1		7.925 MM (5/16")
22	24H1226	WASHER	1		1/2" X 1-1/4" X 0.083"
23	14H819	WING NUT	1		5/16"
24	AH96234	SHIELD	1		(453A AND 454A)
25	H125405	WASHER	2		(USE WITH AH120806) (SUB FOR AH97927)

# H13

50A SERIES ROW-CROP HEADS

**AUGER DRIVE**  
**(655100-685100)**  
HP9006 -UN-07SEP99



HP9006



# H14

50A SERIES ROW-CROP HEADS

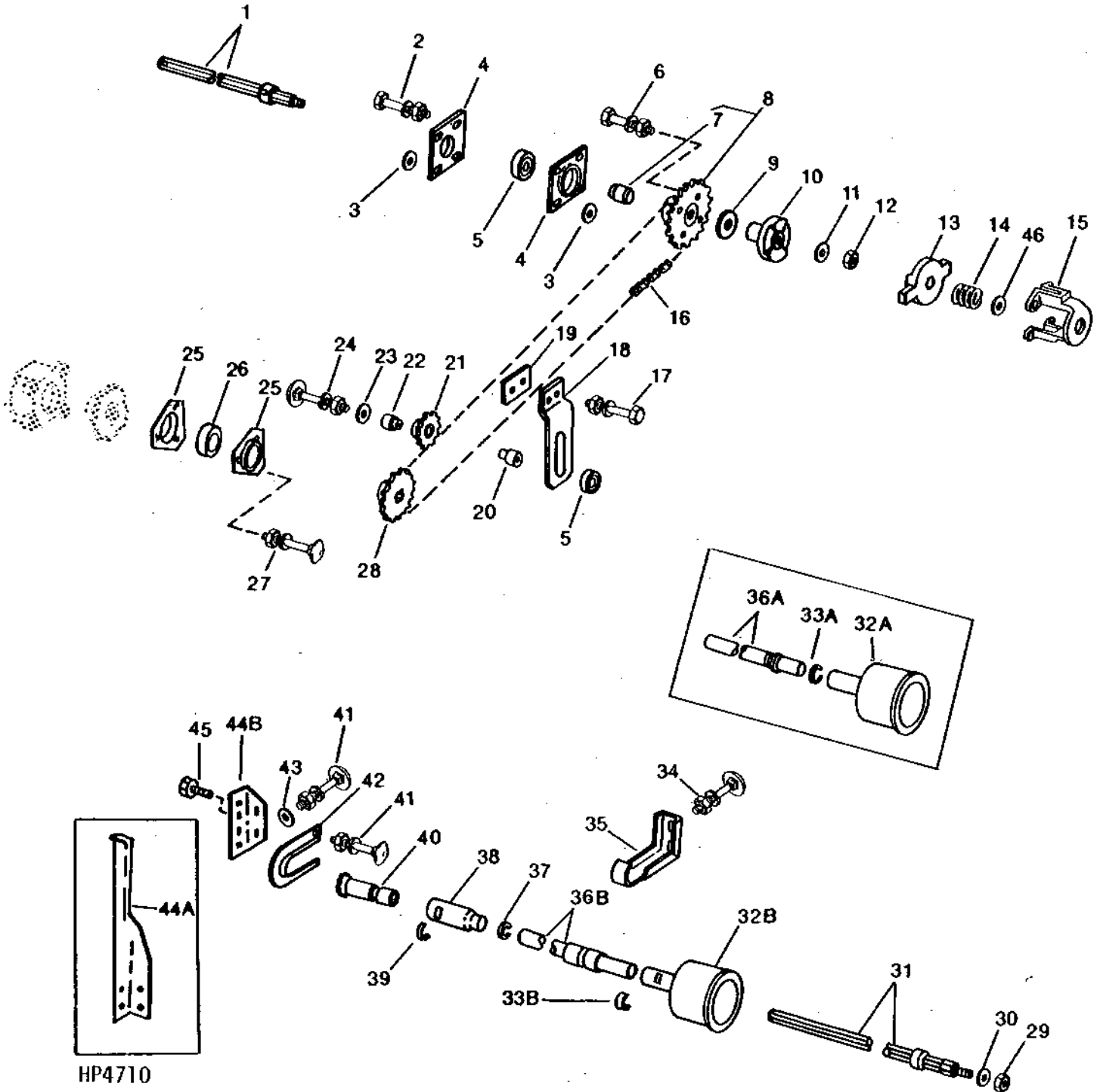
**AUGER DRIVE - CONTINUED**  
**(655100-685100)**

KEY	PART NO.	PART NAME	QTY	SERIAL NO.	REMARKS
1	H80926	SNAP RING	1		(454A, 653A, 654A AND 853A)
2	AH143084	SHAFT	1	-655211	(SUB AH145824) (454A) (660.5 MM (26 IN.))
	AH145824	SHAFT	1		(454A)
	AH143085	SHAFT	1	-660100	(SUB AH145825) (653A) (1 041.5 MM (41 IN.))
	AH145825	SHAFT	1		(653A)
	AH143086	SHAFT	1	-655211	(SUB AH145826) (654A) (1 549.5 MM (61 IN.))
	AH145826	SHAFT	1		(654A)
	AH143087	SHAFT	1	-655211	(853A) (1 803.5 MM (71 IN.)) (SUB AH145827)
	AH145827	SHAFT	1		(853A)
3	H112654	HOUSING	1		
4	H101276	SPRING	1		
5	H101677	JAW	1		
6	H101678	HUB	1		
7	G6579E	BUSHING	1		
8	AH143100	DRIVE SPROCKET	1		13 TEETH, (USE WITH H125405)
9	H96762	STRAP	1		
10	24H1111	WASHER	1		17/32" X 1-1/16" X 0.090"
11	19M7786	SCREW	2		M10 X 30
	14M7296	FLANGE NUT	2		M10
12	H97517	BUSHING	2		
13	AN31211	CHAIN SPROCKET	1	-660100	15 TEETH, TIGHTENER (SUB AE27909)
	AE27909	CHAIN SPROCKET	1		15 TEETH
14	AH89638	CHAIN SPROCKET	1	-670100	60 TEETH
	AH148907	CHAIN SPROCKET	1	670101-	60 TEETH
15	03M7204	BOLT	1		M12 X 60
	12H301	LOCK WASHER	1		1/2"
	14M7275	NUT	1		M12
16	AH90208	LINK CHAIN	1		ROLLER, DRIVE, TYPE 60, 3/4" PITCH, 99 LINKS
17	H99303	WASHER	1		
18	03M7195	BOLT	4		M10 X 45
	12H304	LOCK WASHER	4		3/8"
	14M7274	NUT	4		M10
19	03M7184	BOLT	2		M8 X 20
	14M7298	FLANGE NUT	2		M8
20	03M7185	BOLT	1		M8 X 25
	14M7298	FLANGE NUT	1		M8
21	24M7207	WASHER	3		8.400 X 24 X 2 MM
22	14M7020	WING NUT	1		M8
23A	AH96234	SHIELD	1	-655101	(454A ONLY) NO LONGER AVAILABLE
23B	H168838	SHIELD	1	655102-	
24	H125405	WASHER	2		(USE WITH AH120806)
25	19M7866	SCREW	3		M8 X 20
26	24H1296	WASHER	3		11/32" X 1-3/8" X 0.134"

# H15

50A SERIES ROW-CROP HEADS

ROW UNIT DRIVE (RIGHT-HAND)  
(453A, 454A, 653A, 654A, 655A AND 853A)  
(-655099)  
HP4710 -UN-01JAN94



# H16

50A SERIES ROW-CROP HEADS

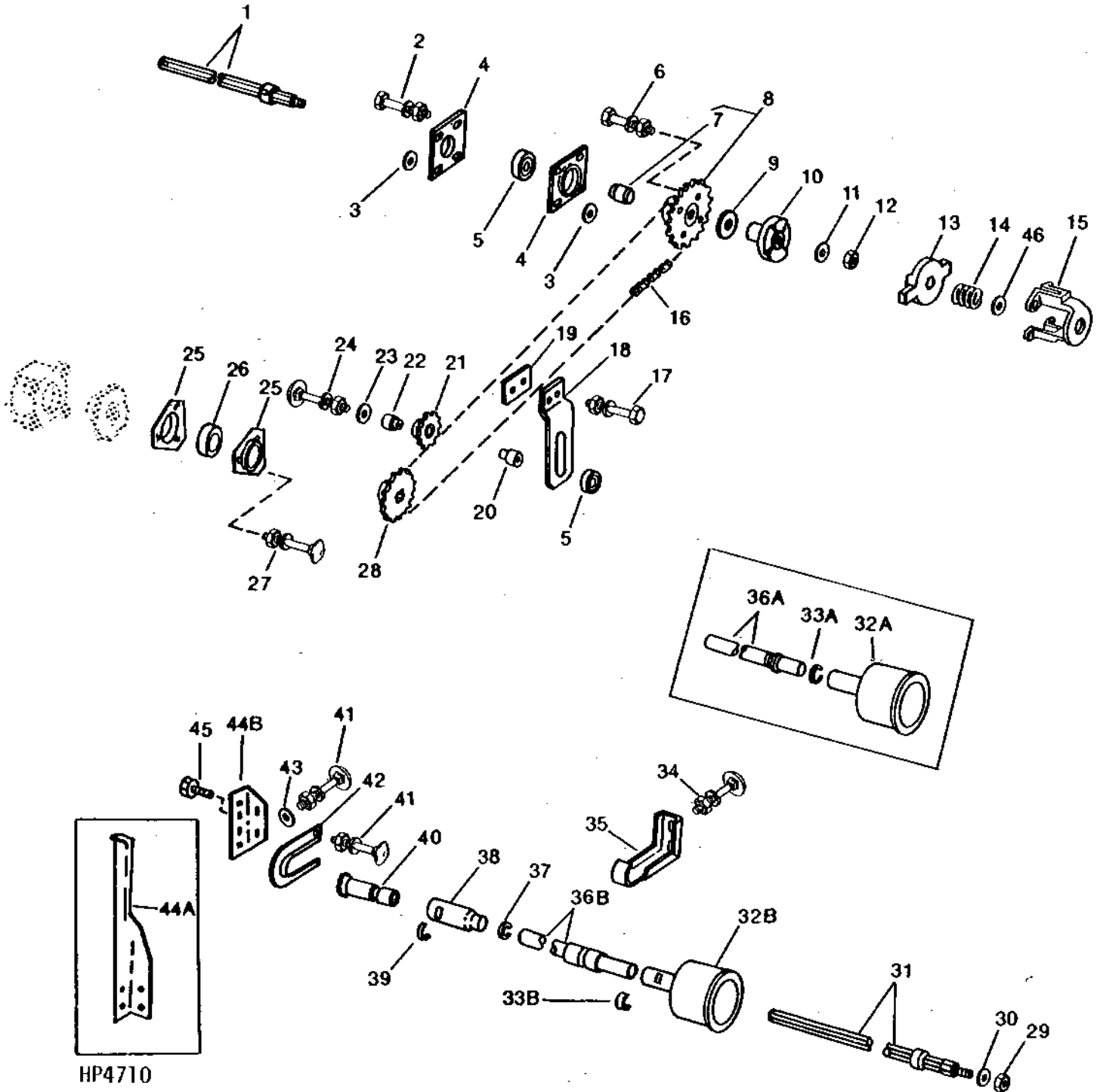
**ROW UNIT DRIVE (RIGHT-HAND) - CONTINUED**  
**(453A, 454A, 653A, 654A, 655A AND 853A)**  
**( -655099)**

KEY	PART NO.	PART NAME	QTY	SERIAL NO.	REMARKS
1	AH97950	SHAFT	1		DRIVE, OUTER, (SUB AH143098)
2	19H1731	CAP SCREW	4		3/8" X 1"
	12H304	LOCK WASHER	4		3/8"
	14H812	NUT	4		3/8"
3	24H1305	WASHER	8		13/32" X 13/16" X 0.065"
4	N14247	PRESSED FLANGED HOUSING	2		
5	JD9313	BALL BEARING	1		
6	19H1930	CAP SCREW	4		1/2" X 2-1/2"
	12H301	LOCK WASHER	4		1/2"
	14H1040	NUT	4		1/2"
7	H77380	BUSHING	1		
8	AH102671	CHAIN SPROCKET	1		30 TEETH, DRIVE
9	H99303	WASHER	1		46.736 X 90.424 X 3.404 MM (1.840" X 3.560" X 0.134")
10	H101679	HUB	1		
11	24H1401	WASHER	2		25/32" X 1-3/4" X 0.194"
12	T25879	NUT	2		19.050 MM (3/4") LOCKING
13	H101677	JAW	1		
14	H102497	SPRING	1		
15	H102477	HOUSING	1		
16	AH94439	LINK CHAIN	1		ROLLER, DRIVE, TYPE 60, 3/4" PITCH, 130 LINKS
17	19H1732	CAP SCREW	2		3/8" X 1-1/4"
	E55662	FLANGE NUT	2		
18	H96762	STRAP	2		
19	H97516	STRAP	1		
20	H97517	BUSHING	3		
21	AE27909	CHAIN SPROCKET	2		15 TEETH, TIGHTENER
22	H114641	SPACER	1		13.110 X 15.820 X 14 MM (0.516" X 0.623" X 0.551") (SUB FOR H97518)
23	24H1850	WASHER	2		17/32" X 1-1/4" X 0.180"
24	03H2114	BOLT	1		1/2" X 2-3/4"
	12H301	LOCK WASHER	1		1/2"
	14H1040	NUT	1		1/2"
25	H103265	PRESSED FLANGED HOUSING	2		(ORDER H161529)
	H161529	PRESSED FLANGED HOUSING	2		
26	AN102010	BEARING	1		
27	03H1765	BOLT	3		3/8" X 3/4"
	E55662	FLANGE NUT	3		

# H17

50A SERIES ROW-CROP HEADS

ROW UNIT DRIVE (RIGHT-HAND)  
(453A, 454A, 653A, 654A, 655A AND 853A)  
(-655099)  
HP4710 -UN-01JAN94



# H18

50A SERIES ROW-CROP HEADS

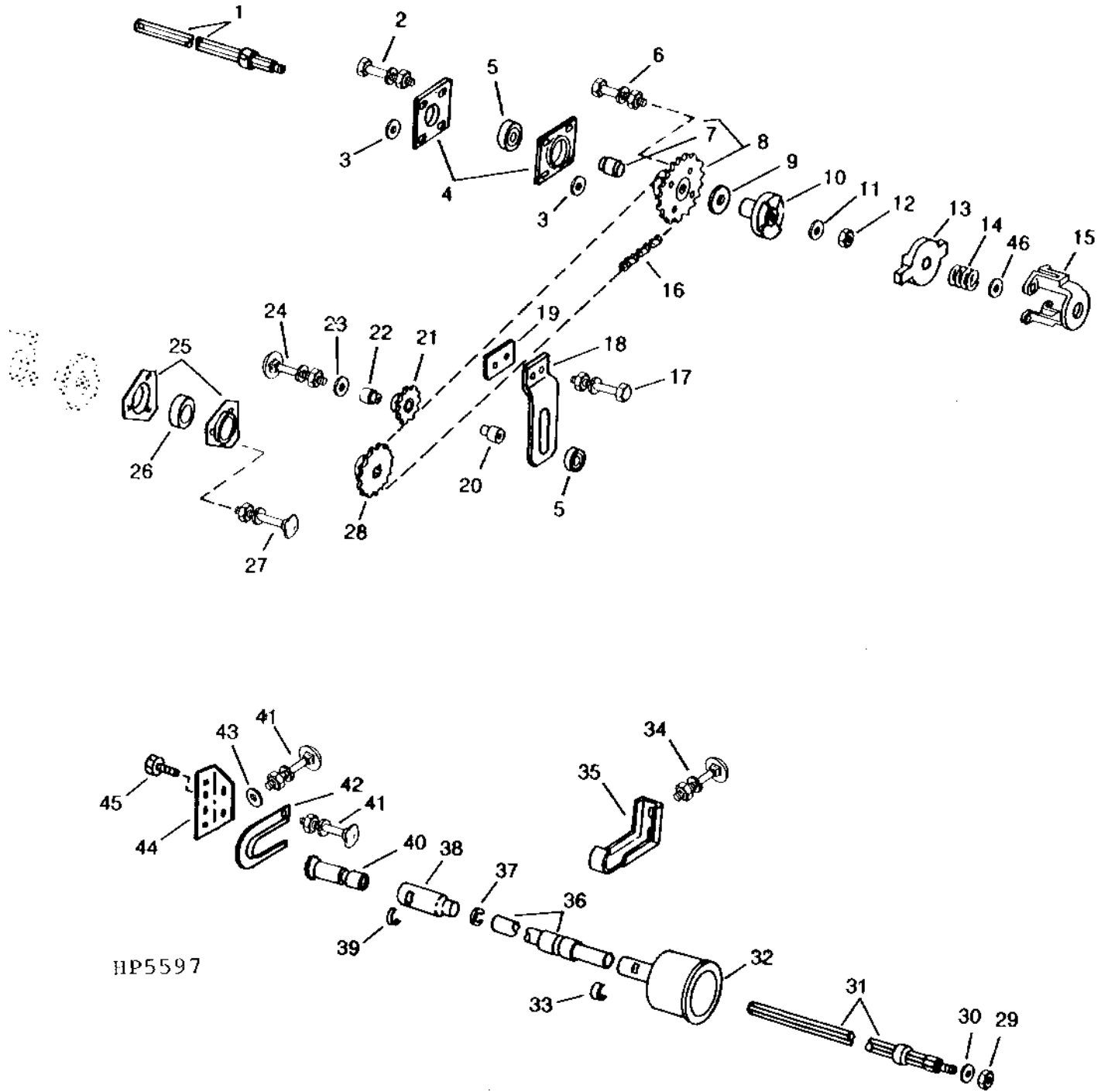
**ROW UNIT DRIVE (RIGHT-HAND) - CONTINUED**  
**(453A, 454A, 653A, 654A, 655A AND 853A)**  
**(-655099)**

KEY	PART NO.	PART NAME	QTY	SERIAL NO.	REMARKS
28	AH89637	CHAIN SPROCKET	1		13 TEETH, DRIVE
29	14H794	NUT	1		3/4"
	12H236	LOCK WASHER	1		3/4"
30	24H1401	WASHER	1		25/32" X 1-3/4" X 0.194"
31	AH97933	DRIVE SHAFT	1		(SUB AH143739) (453A)
	AH143739	SHAFT	1		(453A)
	AH145847	SHAFT	1		306.3 MM (12 IN.) (453A)
	AH97934	DRIVE SHAFT	1		(SUB AH143084) (454A) (660.5 MM (26 IN.))
	AH97938	DRIVE SHAFT	1		(SUB AH143085) (653A) (1 041.5 MM (41 IN.))
	AH97940	DRIVE SHAFT	1		(SUB AH143086) (654A) (1 549 MM (61 IN.))
	AH97944	DRIVE SHAFT	1		(655A AND 853A) (1 803.5 MM (71 IN.)) (SUB AH143087)
32A	AH88540	SHIELD	1	-630252	(653A, 654A, 655A, 853A) (SUB H135222, E62951 AND AH133738)
32B	H135222	SHIELD	1		(653A, 654A, 655A, 853A) (USE WITH AH133738)
33A	H87059	SNAP RING	1	-630252	(653A, 654A, 655A AND 853A)
33B	E62951	UNIVERSAL JOINT BEARING	1		(653A, 654A, 655A, 853A) (USE WITH AH133738)
34	03H1765	BOLT	2		3/8" X 3/4", (454A)
	E55662	FLANGE NUT	2		(454A)
35	H87993	SUPPORT	1		(454A)
36A	H99325	SHIELD	1		(454A)
	AH101573	SHIELD	1	-630252	(653A) (SUB H135222, E62951, AH133738)
	AH101574	SHIELD	1	-630252	(654A) (SUB H135222, E62951, AH133738)
	AH101576	SHIELD	1	-630252	(655A, 853A)
36B	AH133738	POWERSHAFT SHIELD	1		(653A, 654A, 655A, 853A) (CUT TO LENGTH) (USE WITH H135222 AND E63951)
37	P50419	SNAP RING	1		(454A, 653A, 654A, 655A AND 853A)
38	H93439	SHIELD	1		(454A, 653A, 654A, 655A AND 853A)
39	H22039	UNIVERSAL JOINT BEARING	1	-427355	(454A, 653A, 654A AND 853A) (SUB E62951)
	E62951	UNIVERSAL JOINT BEARING	1		(454A, 653A, 654A, 655A AND 853A)
40	AH91784	CHAIN SPROCKET	1		(454A, 653A, 654A, 655A AND 853A)
41	03H1765	BOLT	AR		3/8" X 3/4", (653A, 654A, 655A AND 853A)
	E55662	FLANGE NUT	AR		(653A, 654A, 655A AND 853A)
42	H87226	BRACKET	1		(653A, 654A, 655A AND 853A)
43	24H1305	WASHER	2		10.312 X 20.625 X 1.651 MM (13/32" X 13/16" X 0.065")
44A	H92100	SUPPORT	1	-344700	(653A ONLY)
44B	H135342	ANGLE	1	344701-	(454A, 653A, 654A, 853A)
45	H76139	SCREW	1		7.938 X 19.050 MM (5/16" X 3/4")
46	24H1571	WASHER	AR		1-25/32" X 2-7/8" X 0.120"

# H19

50A SERIES ROW-CROP HEADS

ROW UNIT DRIVE (RIGHT-HAND)  
(453A, 454A, 653A, 654A AND 853A)  
(655100-685100)  
HP5597 -UN-01JAN94



HP5597

# H20

50A SERIES ROW-CROP HEADS

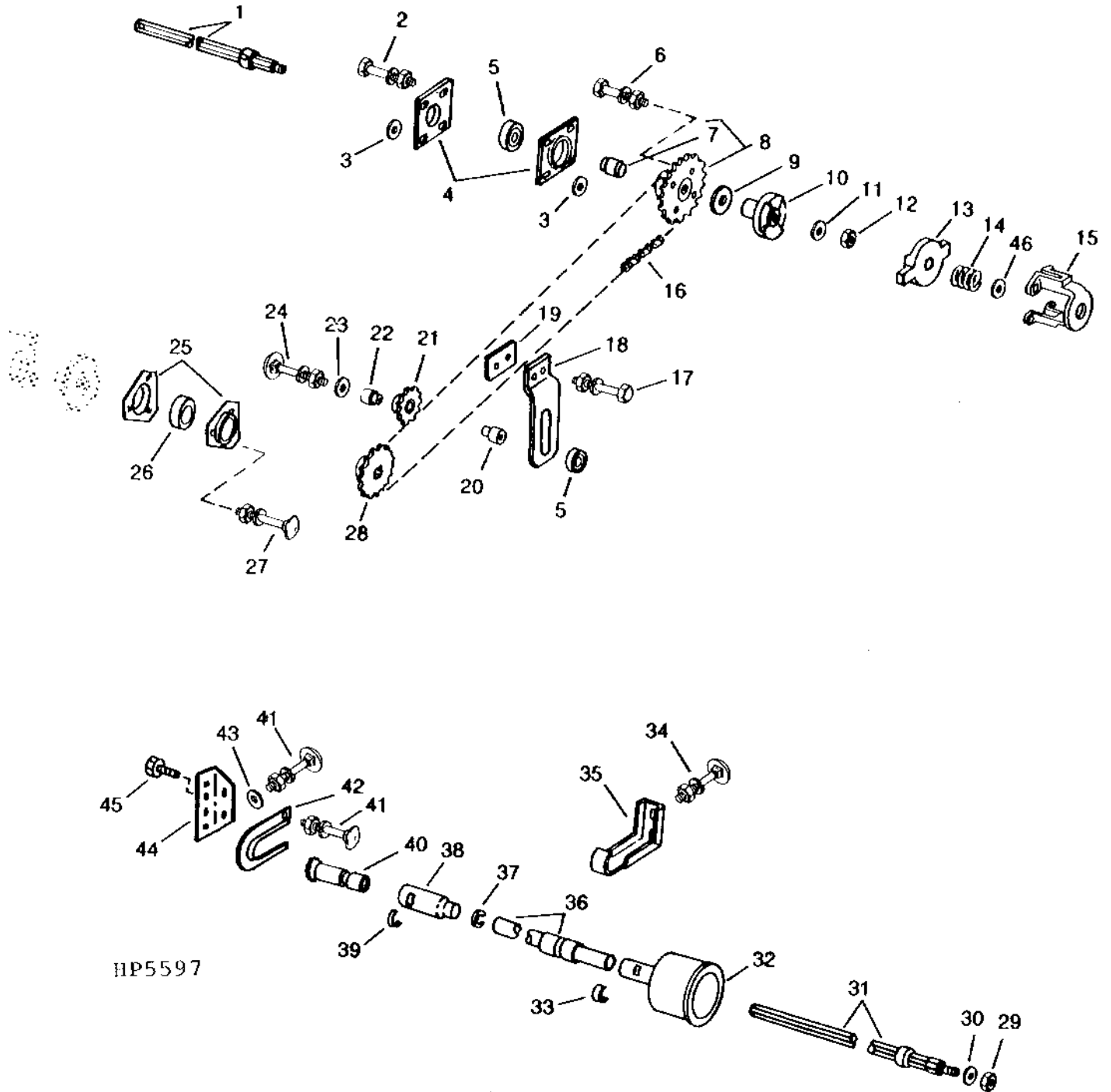
**ROW UNIT DRIVE (RIGHT-HAND) - CONTINUED**  
**(453A, 454A, 653A, 654A AND 853A)**  
**(655100-685100)**

KEY	PART NO.	PART NAME	QTY	SERIAL NO.	REMARKS
1	AH97950	SHAFT	1		DRIVE, OUTER, (SUB AH143098)
2	19H1731	CAP SCREW	4		3/8" X 1"
	12H304	LOCK WASHER	4		3/8"
	14H812	NUT	4		3/8"
3	24H1305	WASHER	8		13/32" X 13/16" X 0.065"
4	N14247	PRESSED FLANGED HOUSING	2		
5	JD9313	BALL BEARING	1		
6	19H1930	CAP SCREW	4		1/2" X 2-1/2"
	12H301	LOCK WASHER	4		1/2"
	14H1040	NUT	4		1/2"
7	H77380	BUSHING	1		
8	AH102671	CHAIN SPROCKET	1		30 TEETH, DRIVE
9	H99303	WASHER	1		
10	H101679	HUB	1		
11	24H1401	WASHER	2		25/32" X 1-3/4" X 0.194"
12	T25879	NUT	2		LOCKING
13	H101677	JAW	1		
14	H102497	SPRING	1		
15	H102477	HOUSING	1		
16	AH94439	LINK CHAIN	1		ROLLER, DRIVE, TYPE 60, 3/4" PITCH, 130 LINKS
17	19H1732	CAP SCREW	2		3/8" X 1-1/4"
	E55662	FLANGE NUT	2		
18	H96762	STRAP	2		
19	H97516	STRAP	1		
20	H97517	BUSHING	3		
21	AE27909	CHAIN SPROCKET	2		15 TEETH, TIGHTENER
22	H114641	SPACER	1		(SUB FOR H97518)
23	24H1850	WASHER	2		17/32" X 1-1/4" X 0.180"
24	03H2114	BOLT	1		1/2" X 2-3/4"
	12H301	LOCK WASHER	1		1/2"
	14H1040	NUT	1		1/2"
25	H103265	PRESSED FLANGED HOUSING	2	-675100	(USE H161529)
	H161529	PRESSED FLANGED HOUSING	2	675101-	
26	AN102010	BEARING	1		
27	03H1765	BOLT	3		3/8" X 3/4"
	E55662	FLANGE NUT	3		

# H21

50A SERIES ROW-CROP HEADS

ROW UNIT DRIVE (RIGHT-HAND) - CONTINUED  
(454A, 653A, 654A AND 853A)  
(655100-685100)  
HP5597 -UN-01JAN94





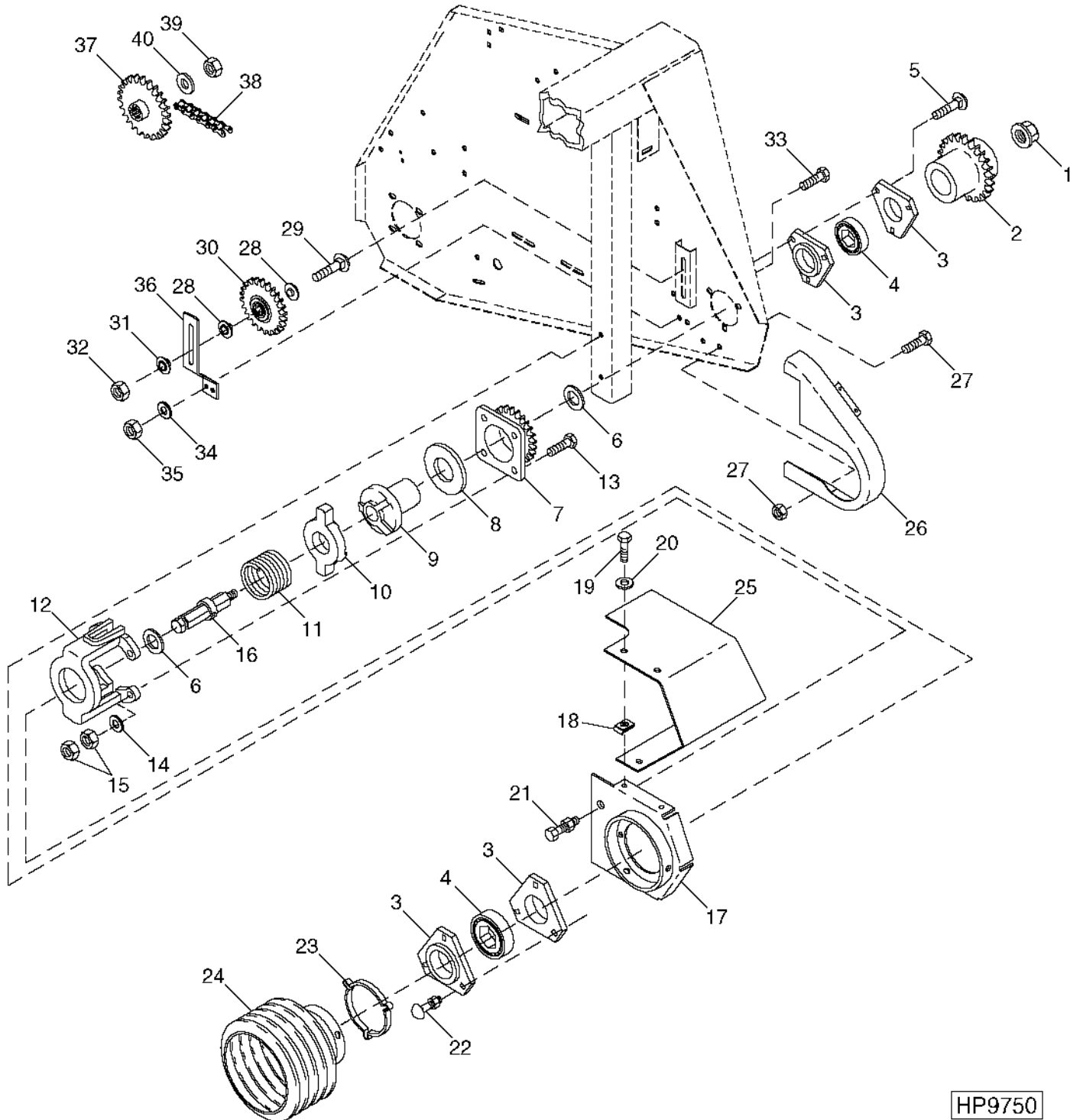
# H22

50A SERIES ROW-CROP HEADS

**ROW UNIT DRIVE (RIGHT-HAND) - CONTINUED**  
**(454A, 653A, 654A AND 853A)**  
**(655100-685100)**

KEY	PART NO.	PART NAME	QTY	SERIAL NO.	REMARKS
28	AH89637	CHAIN SPROCKET	1		13 TEETH, DRIVE
29	A31870	LOCK NUT	1	-654301	M20
	H149361	LOCK NUT	1	654302-	M20
30	24M7242	WASHER	1	654302-	21.400 X 42 X 5 MM
31	AH143084	SHAFT	1	-655211	(SUB AH145824) (454A)
	AH145824	SHAFT	1		(454A)
	AH143085	SHAFT	1	-660100	(SUB AH145825) (653A)
	AH145825	SHAFT	1	-685100	(653A)
	AH143086	SHAFT	1	-655211	(SUB AH145826) (654A)
	AH145826	SHAFT	1		(654A)
	AH143087	SHAFT	1	-655211	(853A) (SUB AH145827)
	AH145827	SHAFT	1	-685100	(853A)
32	H135222	SHIELD	1	-685100	(653A, 654A, 853A) (USE WITH AH133738)
33	E62951	UNIVERSAL JOINT BEARING	1	-685100	(653A, 654A, 853A) (USE WITH AH133738)
34	03M7190	BOLT	2		M10 X 20, (454A)
	14M7296	FLANGE NUT	2		M10, (454A)
35	H87993	SUPPORT	1		(454A)
36	AH133738	POWERSHAFT SHIELD	1	-685100	(653A, 654A, 853A) (CUT TO LENGTH) (USE WITH H135222 AND E63951)
37	P50419	SNAP RING	1	-685100	(454A, 653A, 654A AND 853A)
38	H93439	SHIELD	1	-685100	(454A, 653A, 654A AND 853A)
39	E62951	UNIVERSAL JOINT BEARING	1	-685100	(454A, 653A, 654A AND 853A)
40	AH91784	CHAIN SPROCKET	1	-685100	(454A, 653A, 654A AND 853A)
41	03M7190	BOLT	AR	-685100	M10 X 20, (653A, 654A AND 853A)
	14M7296	FLANGE NUT	AR	-685100	M10, (653A, 654A AND 853A)
42	H87226	BRACKET	1	-685100	(653A, 654A AND 853A)
43	24H1305	WASHER	2	-685100	
44	H135342	ANGLE	1	-685100	(454A, 653A, 654A, 853A)
45	37M7058	SCREW	1	-685100	M8 X 20
46	24H1571	WASHER	AR		1-25/32" X 2-7/8" X 0.120"

653A - DRIVE, RH (685101- )  
HP9750 -UN-10MAY00



HP9750

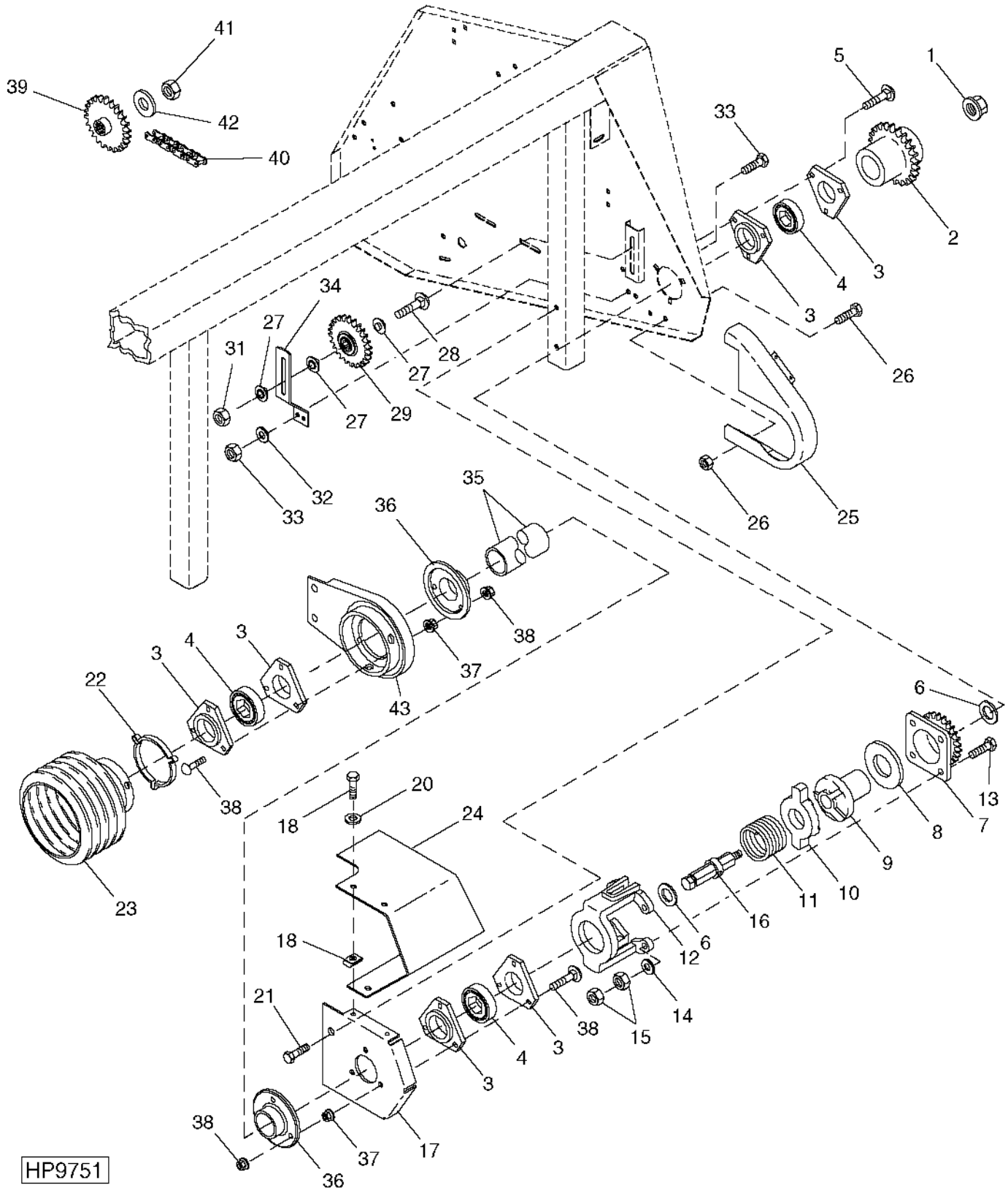
653A - DRIVE, RH (685101- )

KEY	PART NO.	PART NAME	QTY	SERIAL NO.	REMARKS
1	H149361	LOCK NUT	1	M20	
2	AH89637	CHAIN SPROCKET	1		
3	H161529	PRESSED FLANGED HOUSING	4		
4	AN102010	BEARING	2		
5	03M7190	BOLT	3	M10 X 20	
	14M7296	FLANGE NUT	3	M10	
6	H125405	SPACER	2		
7	AH143100	DRIVE SPROCKET	1		
8	H99303	WASHER	1		
9	H101678	HUB	1		
10	H101677	JAW	1		
11	H101276	SPRING	1		
12	H112654	HOUSING	1		
13	03M7195	BOLT	4	M10 X 45	
14	12H304	LOCK WASHER	4	3/8"	
15	14M7274	NUT	4	M10	
16	AH145845	SHAFT	1		
17	AH162186	BRACKET	1		
18	M84971	NUT	3	8 MM	
19	19M7866	SCREW	3	M8 X 20	
20	24M7207	WASHER	3	8.400 X 24 X 2 MM	
21	19M7364	CAP SCREW	2	M12 X 80	
	E80242	LOCK NUT	2	M12	
22	03M7190	BOLT	3	M10 X 20	
	14M7296	FLANGE NUT	3	M10	
23	H168246	RING	1		
24	H168297	SHIELD	1		
25	H168838	SHIELD	1		
26	AH101571	SHIELD	1		
27	03M7184	BOLT	4	M8 X 20	
	14M7296	FLANGE NUT	4	M10	
28	H97517	BUSHING	2		
29	03M7204	BOLT	1	M12 X 60	
30	AE27909	CHAIN SPROCKET	1		
31	12H301	LOCK WASHER	1	1/2"	
32	14M7275	NUT	1	M12	
33	19M7786	SCREW	2	M10 X 30	
34	24H1111	WASHER	2	13.487 X 26.975 X 2.286 MM	
35	14M7296	FLANGE NUT	2	M10, USE H161892, CUT TO LENGTH	
36	H96762	STRAP	1		
37	AH148907	CHAIN SPROCKET	1		
38	AH90208	LINK CHAIN	1		
39	H149361	LOCK NUT	1	M20	
40	T29049	WASHER	1		

THIS PARTS LISTING IS CONTINUED

# I3

853A - DRIVE, RH (685101- )  
HP9751 -UN-15MAY00

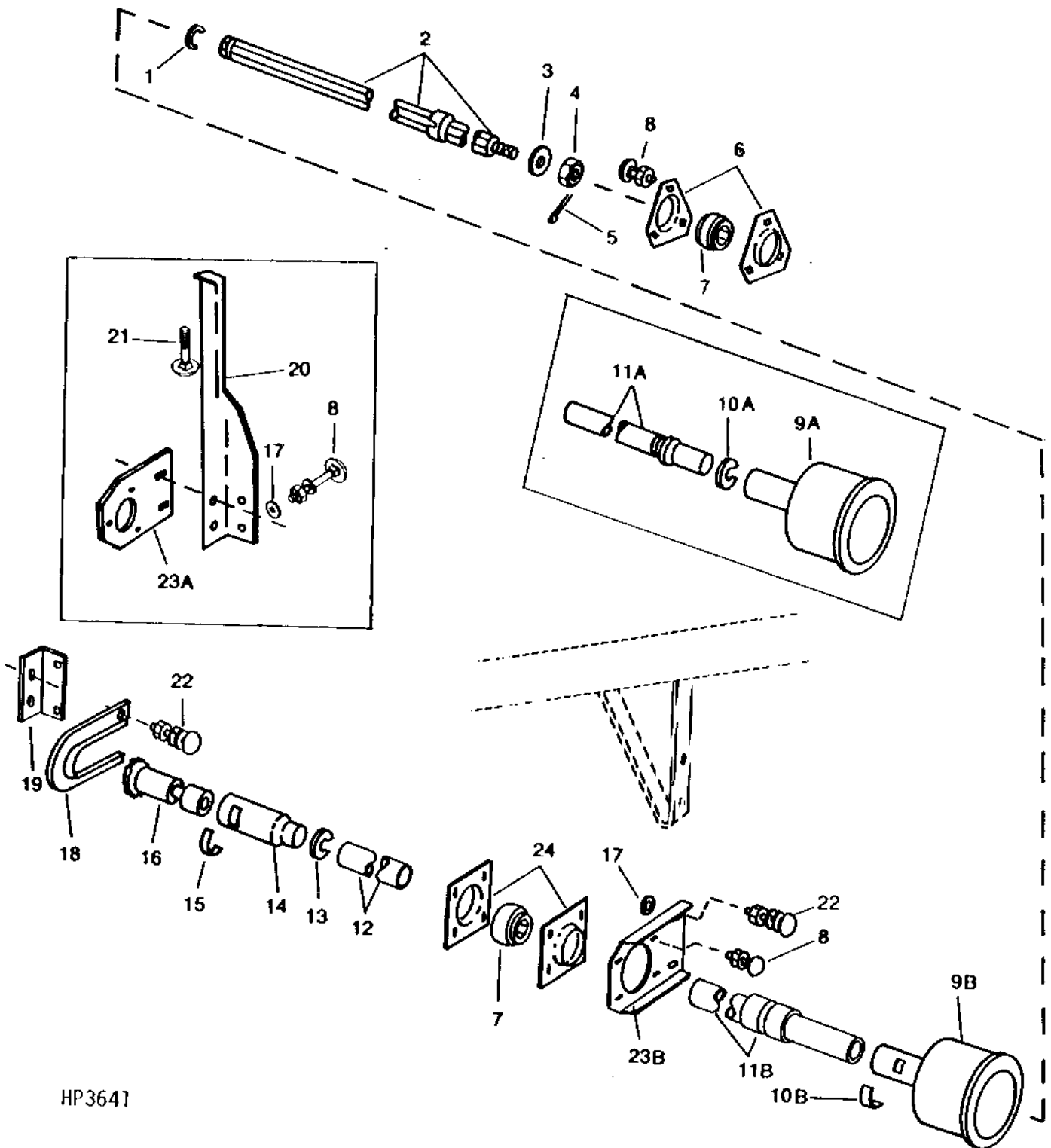


## 853A - DRIVE, RH (685101- )

KEY	PART NO.	PART NAME	QTY	SERIAL NO.	REMARKS
1	H149361	LOCK NUT	1	M20	
2	AH89637	CHAIN SPROCKET	1		
3	H161529	PRESSED FLANGED HOUSING	4		
4	AN102010	BEARING	2		
5	03M7190	BOLT	3	M10 X 20	
	14M7296	FLANGE NUT	3	M10	
6	H125405	SPACER	2		
7	AH143100	DRIVE SPROCKET	1		
8	H99303	WASHER	1		
9	H101678	HUB	1		
10	H101677	JAW	1		
11	H101276	SPRING	1		
12	H112654	HOUSING	1		
13	03M7195	BOLT	4	M10 X 45	
14	12H304	LOCK WASHER	4	3/8"	
15	14M7274	NUT	4	M10	
16	AH162716	SHAFT	1		
17	H168763	BRACKET	1		
18	M84971	NUT	3	8 MM	
19	19M7866	SCREW	3	M8 X 20	
20	24M7207	WASHER	3	8.400 X 24 X 2 MM	
21	19M7364	CAP SCREW	2	M12 X 80	
	E80242	LOCK NUT	2	M12	
22	H168246	RING	1		
23	H168297	SHIELD	1		
24	H168838	SHIELD	1		
25	AH101571	SHIELD	1		
26	03M7184	BOLT	4	M8 X 20	
	14M7298	FLANGE NUT	4	M8	
27	H97517	BUSHING	2		
28	03M7204	BOLT	1	M12 X 60	
29	AE27909	CHAIN SPROCKET	1		
30	12H301	LOCK WASHER	1	1/2"	
31	14M7275	NUT	1	M12	
32	24H1111	WASHER	2	17/32" X 1-1/16" X 0.090"	
33	14M7296	FLANGE NUT	2	M10	
34	H96762	STRAP	1		
35	.....	TUBE	1		USE H161892, CUT TO LENGTH
36	H162189	RETAINER	2		
37	H165237	SPACER	3		
38	03M7194	BOLT	6	M10 X 40	
	14M7296	FLANGE NUT	6	M10	
39	AH148907	CHAIN SPROCKET	1		
40	AH90208	LINK CHAIN	1		
41	H149361	LOCK NUT	1	M20	
42	T29049	WASHER	1		
43	.....	BRACKET	1		WELDED, USE AH163273

THIS PARTS LISTING IS CONTINUED

ROW UNIT DRIVE (RIGHT-HAND)  
(854A AND 1253A) (-630100)  
HP3641 -UN-01JAN94



HP3641

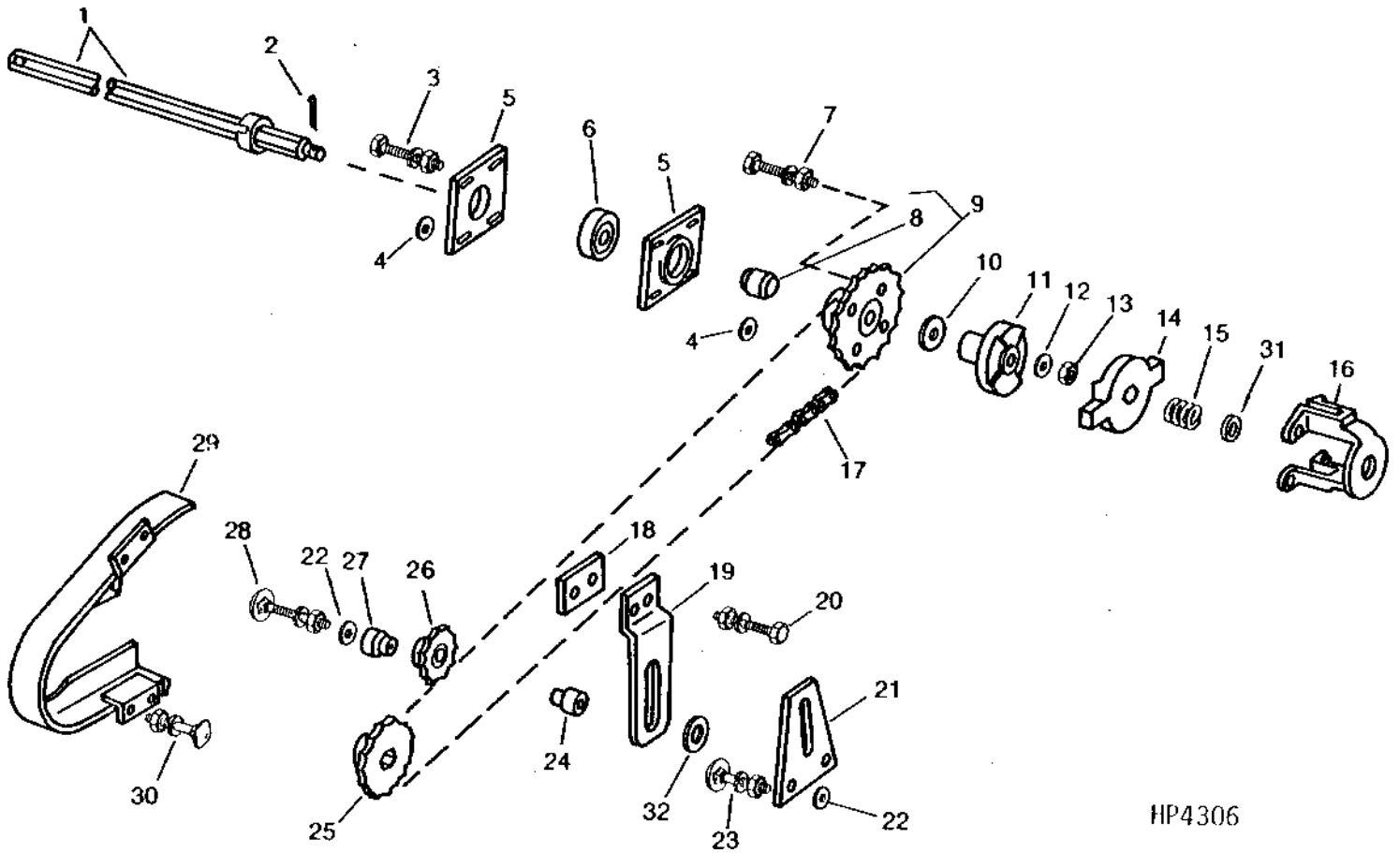
**ROW UNIT DRIVE (RIGHT-HAND) - CONTINUED**  
**(854A AND 1253A) (-630100)**

KEY	PART NO.	PART NAME	QTY	SERIAL NO.	REMARKS
1	H80926	SNAP RING	1		
2	AH105015	DRIVE SHAFT	1		(SUB AH143740) (854A)
	AH143740	SHAFT	1		(SUB AH145828) (854A)
	AH145828	SHAFT	1		2516.5 MM (99 IN.) (854A)
	AH105013	DRIVE SHAFT	1		(SUB AH143741) (1253A)
	AH143741	SHAFT	1	-655211	(SUB AH145885) (1253A)
	AH145885	SHAFT	1		3329.5 MM (131 IN.) (1253A)
3	24H1401	WASHER	1		19.837 X 44.450 X 4.928 MM (25/32" X 1-3/4" X 0.194")
4	A31870	LOCK NUT	1		M20, SLOTTED
5	11M7030	COTTER PIN	1		5 X 40 MM
6	C3994E	PRESSED FLANGED HOUSING	4		(854A,-620463; 1253A,-620511)
	H103265	PRESSED FLANGED HOUSING	2		(ORDER H161529)
	H161529	PRESSED FLANGED HOUSING	2		
	AN102010	BEARING	2		
8	03H1765	BOLT	10		9.525 X 19.050 MM (3/8" X 3/4") (854A,-620463; 1253A,-620511)
	03H1765	BOLT	7		9.525 X 19.050 MM (3/8" X 3/4") (854A,620464-; 1253A,620512-)
	E55662	FLANGE NUT	10		9.525 MM (3/8") (854A,-620463; 1253A,-620511)
	E55662	FLANGE NUT	7		9.525 MM (3/8") (854A,620464-; 1253A,620512-)
9A	AH88540	SHIELD	1	-635100	(SUB H135222, E62951 AND AH133738)
9B	H135222	SHIELD	1		(USE WITH E62951 AND AH133738)
10A	H87059	SNAP RING	1	-635100	(SUB H135222, E63951, AH133738)
10B	E62951	UNIVERSAL JOINT BEARING	1		
11A	AH112227	SHIELD	1	-620463	OUTER (854A)
	AH125081	SHIELD	1	620464-635100	OUTER (854A) (SUB H135222, E62951 AND AH133738)
	AH101576	SHIELD	1	-620511	OUTER (1253A)
	AH125081	SHIELD	2	620511-635100	OUTER (1253A) (SUB H135222, E62951 AND AH133738)
11B	AH133738	POWERSHAFT SHIELD	2		(854A AND 1253A) (CUT TO LENGTH) (USE WITH E62951 AND H135222)
12	H105845	SHIELD	1	-620463	INNER (854A)
	H93436	SHIELD	1	620464-635100	INNER (854A) (CUT TO LENGTH) (SUB H97709)
	H105844	SHIELD	1	-620511	INNER (1253A)
	H129571	SHIELD	1	620512-635100	INNER (1253A) (SUB H97709)
	H97709	SHIELD	1		(854A AND 1253A) (CUT TO LENGTH)
13	P50419	SNAP RING	1		
14	H93439	SHIELD	1		
15	E62951	UNIVERSAL JOINT BEARING	1		
16	AH91784	CHAIN SPROCKET	1		14 TEETH
17	24H1305	WASHER	3		13/32" X 13/16" X 0.065" (854A,-620463; 1253A,-620511)
	24H1305	WASHER	4		13/32" X 13/16" X 0.065" (854A,620464-; 1253A,620512-)
18	H87226	BRACKET	1		
19	H114558	ANGLE	1		(854A,-620463; 1253A,-620511) (SUB H135342)
	H135342	ANGLE	1		
20	H92100	SUPPORT	1		(854A,-620463; 1253A,-620511)
21	H76139	SCREW	1		7.938 X 19.050 MM (5/16" X 3/4") (854A,-620463; 1253A,-620511) SELF-TAPPING
22	03H1765	BOLT	4		9.525 X 19.050 MM (3/8" X 3/4")
	12H304	LOCK WASHER	4		9.525 MM (3/8")
	14H812	NUT	4		9.525 MM (3/8")
23A	H88983	SUPPORT	1		(854A,-620463; 1253A,-620511)
23B	H97732	BRACKET	1		(854A,620464-635100; 1253A,620512-635100) (SUB H135199)
	H135199	BRACKET	1		
24	N103830	PRESSED FLANGED HOUSING	2		(854A,620464-; 1253A,620512-)

ROW UNIT DRIVE SHAFT, SPROCKETS & SLIP CLUTCH (RIGHT-HAND)

(854A & 1253A) (-630100)

HP4306 -UN-01JAN94



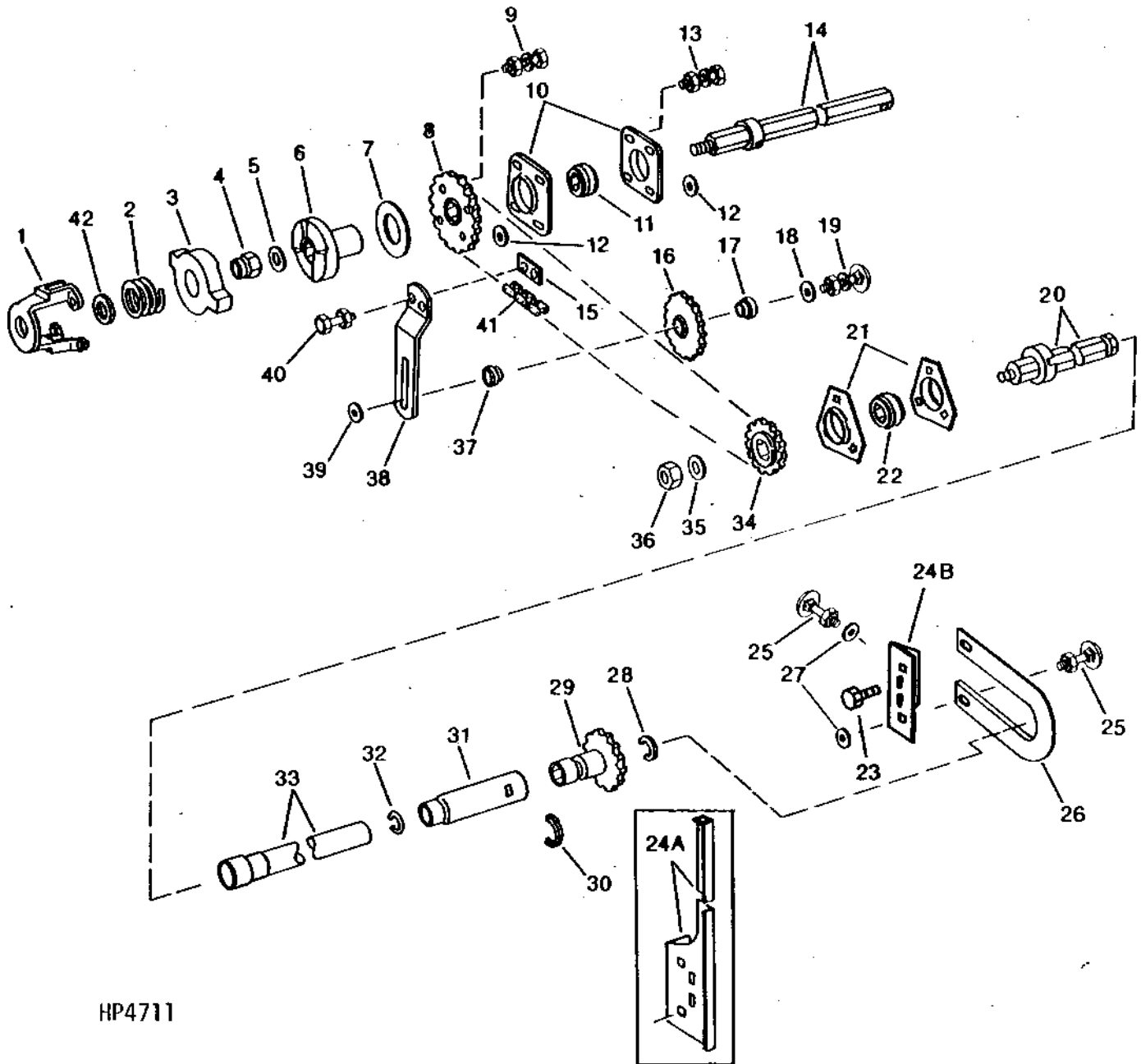
HP4306



**ROW UNIT DRIVE SHAFT, SPROCKETS & SLIP CLUTCH (RIGHT-HAND) - CONTINUED**  
**(854A & 1253A) ( -630100)**

KEY	PART NO.	PART NAME	QTY	SERIAL NO.	REMARKS
1	AH108393	DRIVE SHAFT	1	(SUB AH143157)	
	AH143157	SHAFT	1		
2	11M7030	COTTER PIN	1	5 X 40 MM	
3	19H1731	CAP SCREW	4	9.525 X 25.400 MM (3/8" X 1")	
	12H304	LOCK WASHER	4	9.525 MM (3/8")	
	14H812	NUT	4	9.525 MM (3/8")	
4	24H1305	WASHER	8	10.312 X 20.625 X 1.651 MM (13/32" X 13/16" X 0.065")	
5	N103830	PRESSED FLANGED HOUSING	2		
6	AN102010	BEARING	1		
7	19H1930	CAP SCREW	4	12.700 X 63.500 MM (1/2" X 2-1/2")	
	12H301	LOCK WASHER	4	1/2"	
	14H1040	NUT	1	12.700 MM (1/2")	
8	H77380	BUSHING	1		
9	AH102671	CHAIN SPROCKET	1	30 TEETH, (854A)	
	AH112722	CHAIN SPROCKET	1	39 TEETH, (1253A)	
10	H99303	WASHER	1	46.736 X 90.424 X 3.404 MM (1.840" X 3.560" X 0.134")	
11	H109783	HUB	1		
12	24H1399	WASHER	2	19.837 X 41.275 X 4.572 MM (25/32" X 1-5/8" X 0.180")	
13	14H912	NUT	1	19.050 MM (3/4") SLOTTED	
14	H101677	JAW	1		
15	H102497	SPRING	1	(854A)	
	H109855	SPRING	1	(1253A)	
16	H102477	HOUSING	1		
17	AH94439	LINK CHAIN	1	ROLLER, DRIVE, TYPE 60, 3/4" PITCH, 130 LINKS (854A)	
.....		LINK CHAIN	1	ROLLER, DRIVE, TYPE 50-2, DOUBLE WIDTH, 5/8" PITCH, 158 LINKS (ASSEMBLE FROM (15) AH66615, (4) P20350 AND (4) AP15292) (1253A)	
18	H97516	STRAP	1	(854A)	
19	H96762	STRAP	1	(854A)	
20	19H1732	CAP SCREW	2	9.525 X 31.750 MM (3/8" X 1-1/4") (854A)	
	E55662	FLANGE NUT	2	9.525 MM (3/8") (854A)	
21	H115074	STRAP	1	(1253A)	
22	24H1850	WASHER	2	17/32" X 1-1/4" X 0.180"	
23	03H1746	BOLT	2	12.700 X 31.750 MM (1/2" X 1-1/4") (1253A)	
	12H301	LOCK WASHER	2	1/2", (1253A)	
	14H1040	NUT	2	12.700 MM (1/2") (1253A)	
24	H97517	BUSHING	1		
25	AH89637	CHAIN SPROCKET	1	13 TEETH (854A)	
	AH112692	CHAIN SPROCKET	1	17 TEETH (1253A)	
26	AN31211	CHAIN SPROCKET	1	15 TEETH, (SUB AE27909) (854A)	
	AN210556	CHAIN SPROCKET	2	15 TEETH, (1253A) (SUB AN115321)	
27	H114641	SPACER	1	(854A)	
	H116521	BUSHING	1	(1253A)	
28	03H2114	BOLT	1	12.700 X 69.850 MM (1/2" X 2-3/4") (854A)	
	12H301	LOCK WASHER	1	1/2", (854A)	
	14H1040	NUT	1	12.700 MM (1/2") (854A)	
	03H2082	BOLT	1	12.700 X 95.250 MM (1/2" X 3-3/4") (1253A)	
	12H301	LOCK WASHER	1	1/2", (1253A)	
	14H1040	NUT	1	12.700 MM (1/2") (1253A)	
29	AH101571	SHIELD	1		
30	N10216	SELF-LOCKING SCREW	4	6.350 X 19.050 MM (1/4" X 3/4")	
	N10217	LOCK NUT	4	6.350 MM (1/4")	
31	24H1571	WASHER	AR	1-25/32" X 2-7/8" X 0.120"	
32	24H1788	WASHER	AR	17/32" X 1-1/8" X 0.060"	

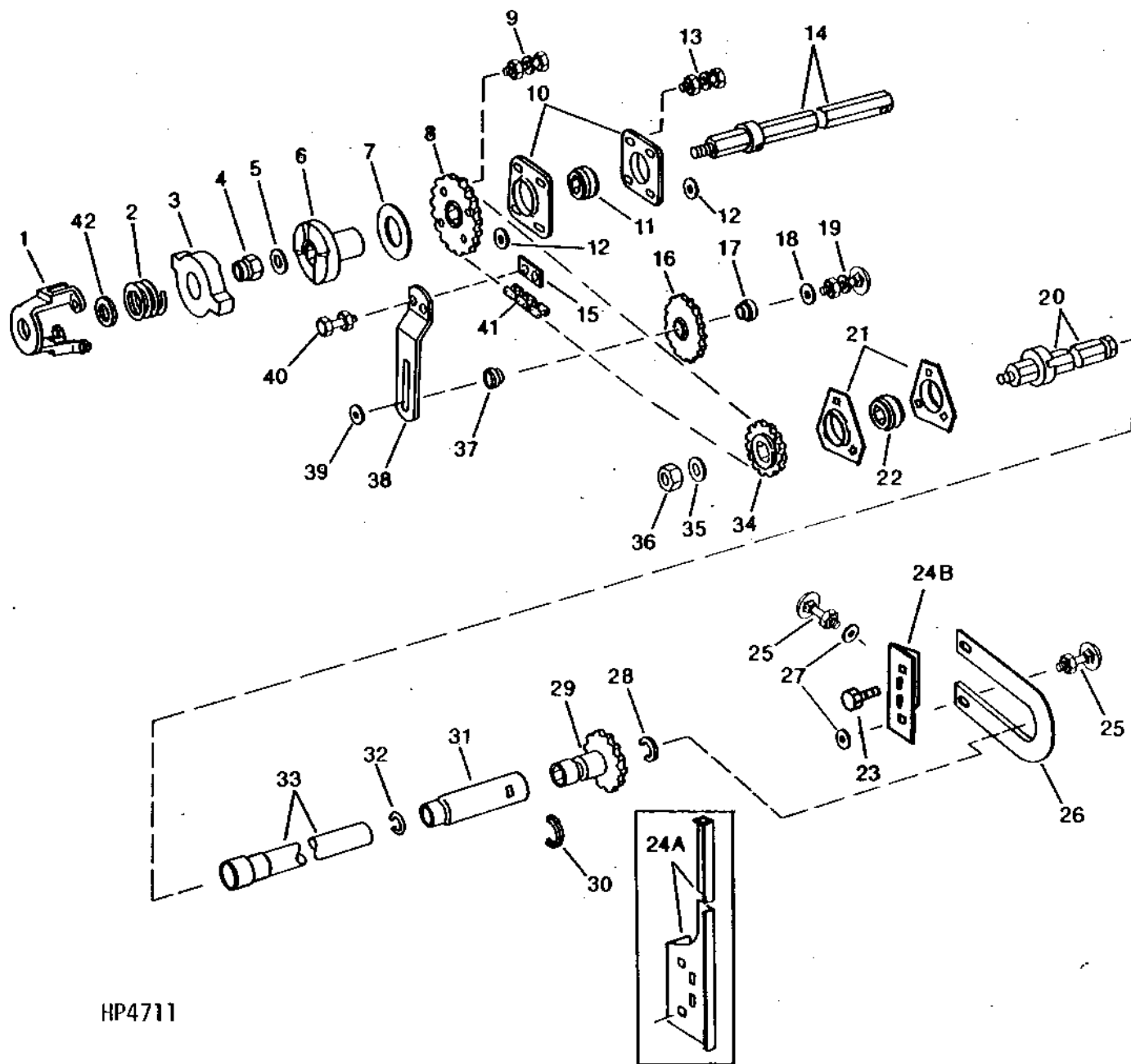
ROW UNIT DRIVE (LEFT-HAND)  
(653A, 654A, 655A & 853A)  
(-655399)  
HP4711 -UN-01JAN94



**ROW UNIT DRIVE (LEFT-HAND) - CONTINUED**  
**(653A, 654A, 655A & 853A)**  
**( -655399)**

KEY	PART NO.	PART NAME	QTY	SERIAL NO.	REMARKS
1	H102477	HOUSING	1		
2	H102497	SPRING	1		
3	H101677	JAW	1		
4	T25879	NUT	1		19.050 MM (3/4")
5	24H1399	WASHER	1	-576110	25/32" X 1-5/8" X 0.180"
	24H1401	WASHER	1	576111-	25/32" X 1-3/4" X 0.194"
6	H101679	HUB	1		
7	H99303	WASHER	1		46.736 X 90.424 X 3.404 MM (1.840" X 3.560" X 0.134")
8	AH102671	CHAIN SPROCKET	1		30 TEETH
9	19H1930	CAP SCREW	4		1/2" X 2-1/2"
	12H301	LOCK WASHER	4		1/2"
	14H1040	NUT	4		1/2"
10	N14247	PRESSED FLANGED HOUSING	2		
11	JD9313	BALL BEARING	1		
12	24H1305	WASHER	8		13/32" X 13/16" X 0.065"
13	19H1731	CAP SCREW	4		3/8" X 1"
	12H304	LOCK WASHER	4		3/8"
	14H812	NUT	4		3/8"
14	AH97950	SHAFT	1		(SUB AH143098)
15	H97516	STRAP	1		
16	AE27909	CHAIN SPROCKET	1		15 TEETH, TIGHTENER
17	H97518	BUSHING	1	-576615	(SUB H114641)
	H114641	SPACER	1		
18	24H1850	WASHER	1		17/32" X 1-1/4" X 0.180"
19	03H2114	BOLT	1		1/2" X 2-3/4"
	12H301	LOCK WASHER	1		1/2"
	14H1040	NUT	1		1/2"
20	AH97939	DRIVE SHAFT	1		(SUB AH143088) (653A) (1 041.5 MM (41 IN.))
	AH97941	DRIVE SHAFT	1		(SUB AH143089) (654A) (1 549.5 MM (61 IN.))
	AH97945	DRIVE SHAFT	1		(655A AND 853A) (1 803.5 MM (71 IN.)) (SUB AH143090)
21	C3994E	PRESSED FLANGED HOUSING	2		(653A,-620383; 654A,-620333; 655A AND 853A,-620507)
	H103265	PRESSED FLANGED HOUSING	2		(ORDER H161529)
	H161529	PRESSED FLANGED HOUSING	2		

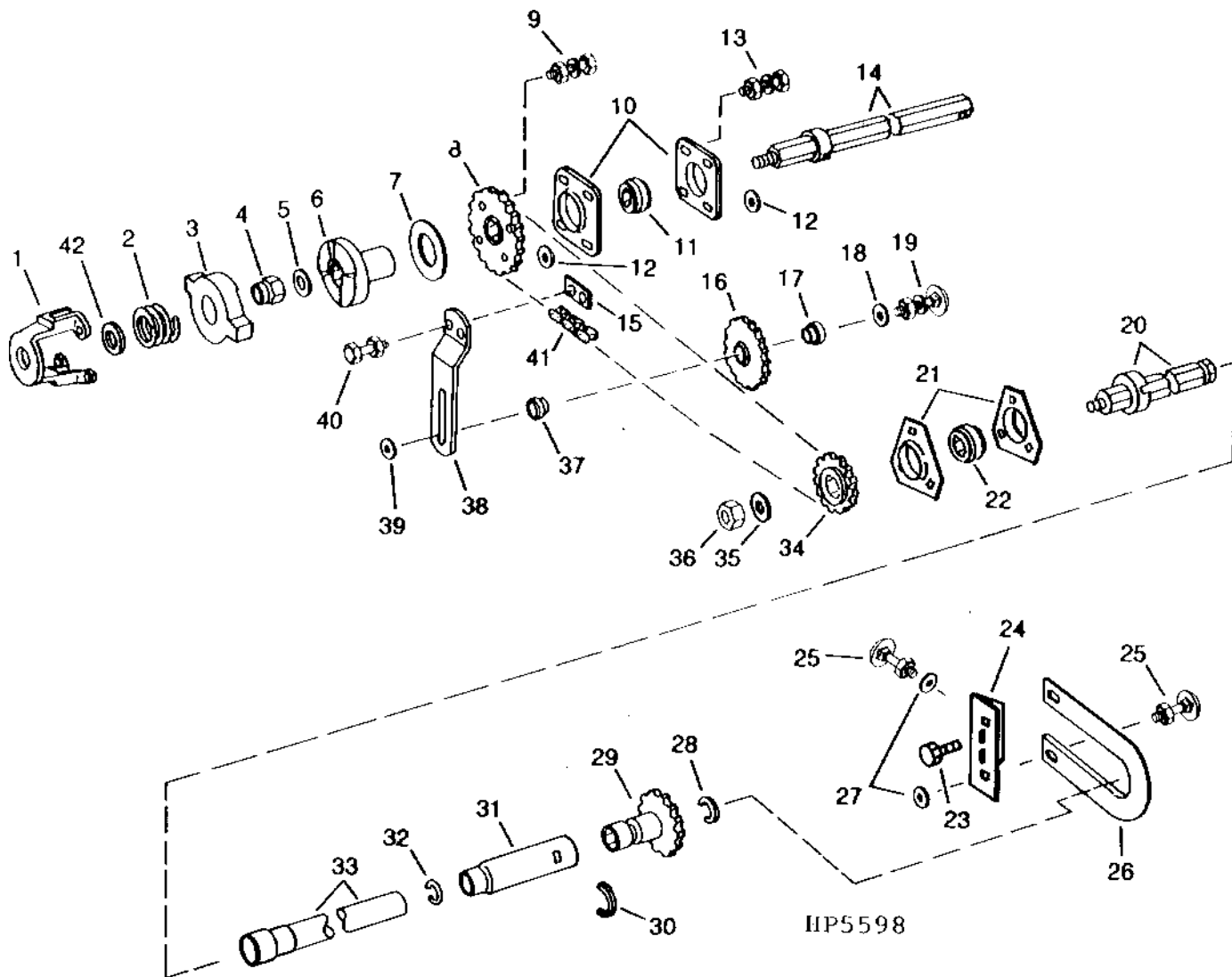
ROW UNIT DRIVE (LEFT-HAND)  
(653A, 654A, 655A & 853A)  
(-655399)  
HP4711 -UN-01JAN94



ROW UNIT DRIVE (LEFT-HAND) - CONTINUED  
(653A, 654A, 655A & 853A)  
(-655399)

KEY	PART NO.	PART NAME	QTY	SERIAL NO.	REMARKS
22	AN102010	BEARING	1		
23	H76139	SCREW	1		5/16" X 3/4", SELF-TAPPING
24A	H92101	SUPPORT	1		(654A,-620333; 655A, 853A,-620507)
	H92101	SUPPORT	1	-344700	(653A ONLY)
24B	H135342	ANGLE	1	344701-	(653A, 654A, 853A)
25	03H1765	BOLT	4		3/8" X 3/4"
	E55662	FLANGE NUT	4		9.525 MM (3/8")
26	H87226	BRACKET	1		
27	24H1305	WASHER	AR		13/32" X 13/16" X 0.065"
28	H80926	SNAP RING	1		
29	AH91784	CHAIN SPROCKET	1		14 TEETH
30	H22039	UNIVERSAL JOINT BEARING	1	-427355	(SUB E62951)
	E62951	UNIVERSAL JOINT BEARING	1		
31	H93439	SHIELD	1		
32	P50419	SNAP RING	1		
33	H99328	SHIELD	1	-635000	(653A) (SUB AH126377)
	H97709	SHIELD	1	-635000	(654A) (SUB AH126377)
	H99333	SHIELD	1	-635000	(655A AND 853A) (SUB AH126377)
	AH126377	SHIELD	1		(CUT TO LENGTH) (653A, 654A, 655A AND 853A)
34	AH89637	CHAIN SPROCKET	1		13 TEETH
35	24H1399	WASHER	1	-575900	25/32" X 1-5/8" X 0.180"
	24H1401	WASHER	1	575901-	
36	14H794	NUT	1		3/4"
	12H236	LOCK WASHER	1		3/4"
37	H97517	BUSHING	1		
38	H96762	STRAP	1		
39	24H1111	WASHER	1	-576110	17/32" X 1-1/16" X 0.090"
	24H1850	WASHER	1	576111-	17/32" X 1-1/4" X 0.180"
40	19H1731	CAP SCREW	2		3/8" X 1"
	E55662	FLANGE NUT	2		
41	AH94439	LINK CHAIN	1		ROLLER, DRIVE, TYPE 60, 3/4" PITCH, 130 LINKS
42	24H1571	WASHER	AR		1-25/32" X 2-7/8" X 0.120"

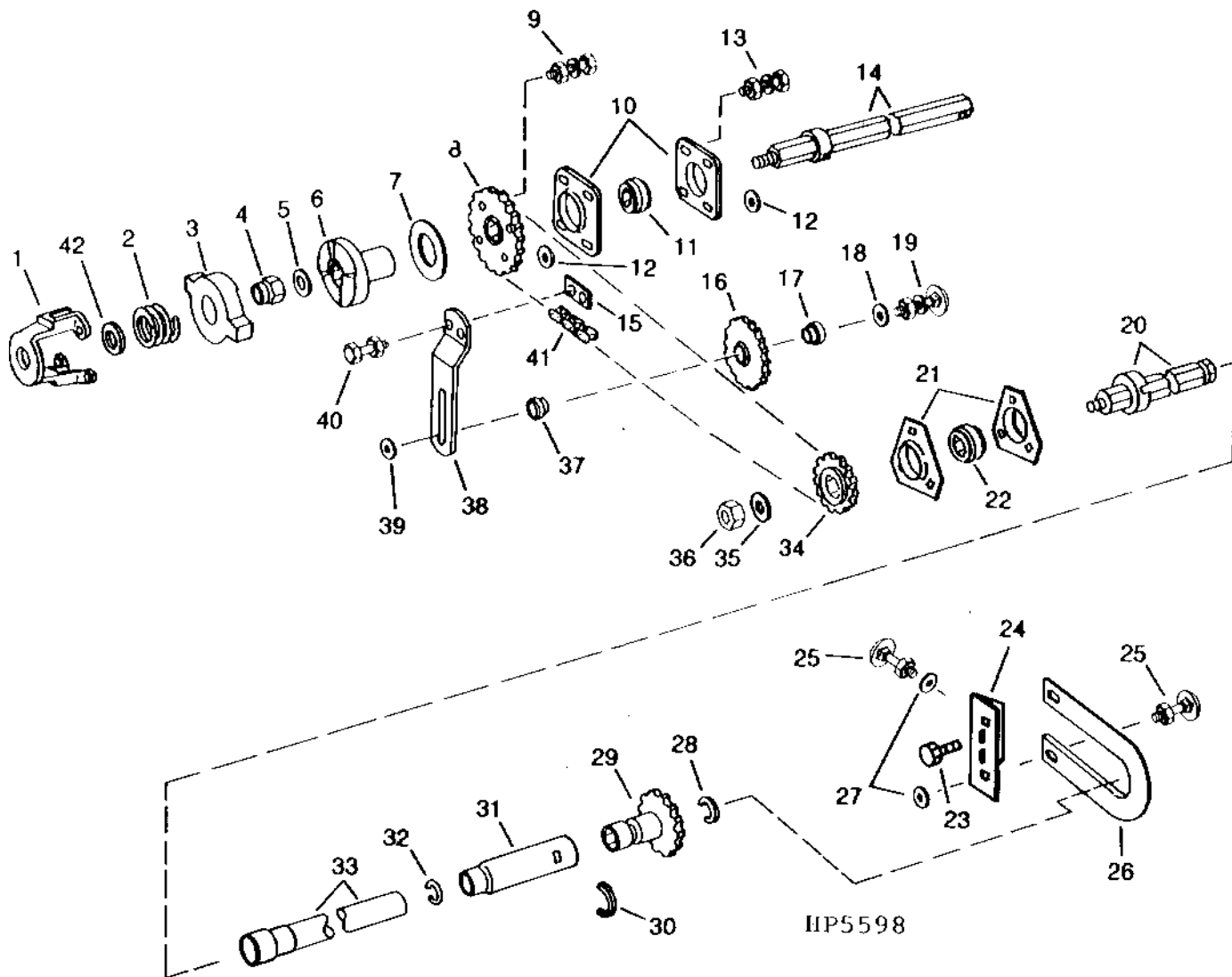
ROW UNIT DRIVE (LEFT-HAND)  
(653A, 654A & 853A)  
(655400-685100)  
HP5598 -UN-01JAN94



**ROW UNIT DRIVE (LEFT-HAND) - CONTINUED**  
**(653A, 654A & 853A)**  
**(655400-685100)**

KEY	PART NO.	PART NAME	QTY	SERIAL NO.	REMARKS
1	H102477	HOUSING	1		
2	H102497	SPRING	1		
3	H101677	JAW	1		
4	A31870	LOCK NUT	1	M20	
5	24M7242	WASHER	1	21.400 X 42 X 5 MM	
6	H101679	HUB	1		
7	H99303	WASHER	1		
8	AH102671	CHAIN SPROCKET	1	30 TEETH	
9	19M8306	SCREW	4	M12 X 50	
	12H301	LOCK WASHER	4	1/2"	
	14M7275	NUT	4	M12	
10	N14247	PRESSED FLANGED HOUSING	2		
11	JD9313	BALL BEARING	1		
12	24H1305	WASHER	8	13/32" X 13/16" X 0.065"	
13	19M7785	SCREW	4	M10 X 25	
	14M7296	FLANGE NUT	4	M10	
14	AH143098	SHAFT	1		
15	H97516	STRAP	1		
16	AE27909	CHAIN SPROCKET	1	15 TEETH, TIGHTENER	
17	H114641	SPACER	1		
18	24H1850	WASHER	1	17/32" X 1-1/4" X 0.180"	
19	03M7226	BOLT	1	M12 X 70	
	12H301	LOCK WASHER	1	1/2"	
	14M7275	NUT	1	M12	
20	AH143088	SHAFT	1	-660100	(SUB AH145830) (653A)
	AH145830	SHAFT	1	-685100	(653A)
	AH143089	SHAFT	1	-655211	(SUB AH145831) (654A)
	AH145831	SHAFT	1	655212-	(654A)
	AH143090	SHAFT	1	-660100	(853A) (SUB AH145832)
	AH145832	SHAFT	1	-685100	(853A)
21	H103265	PRESSED FLANGED HOUSING	2	-675100	
	H161529	PRESSED FLANGED HOUSING	2	675101-	

ROW UNIT DRIVE (LEFT-HAND)  
(653A, 654A & 853A)  
(655400-685100)  
HP5598 -UN-01JAN94

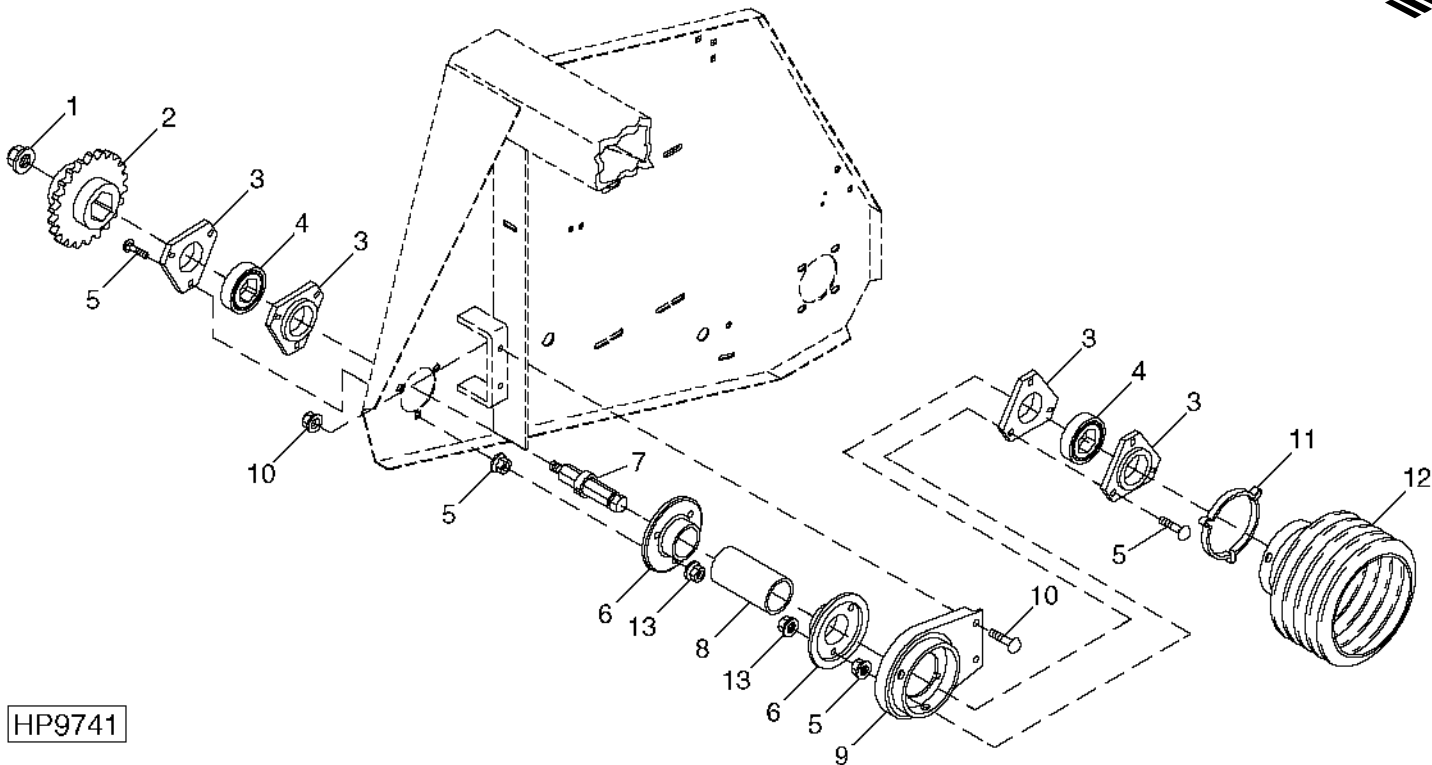




ROW UNIT DRIVE (LEFT-HAND) - CONTINUED  
 (653A, 654A & 853A)  
 (655400-685100)

KEY	PART NO.	PART NAME	QTY	SERIAL NO.	REMARKS
22	AN102010	BEARING	1		
23	37M7058	SCREW	1	-685100	M8 X 20, SELF-TAPPING
24	H135342	ANGLE	1	-685100	(653A, 654A, 853A)
25	03M7190	BOLT	4	-685100	M10 X 20
	14M7296	FLANGE NUT	4	-685100	M10
26	H87226	BRACKET	1	-685100	
27	24H1305	WASHER	AR	-685100	13/32" X 13/16" X 0.065"
28	H80926	SNAP RING	1	-685100	
29	AH91784	CHAIN SPROCKET	1	-685100	14 TEETH
30	E62951	UNIVERSAL JOINT BEARING	1	-685100	
31	H93439	SHIELD	1	-685100	
32	P50419	SNAP RING	1	-685100	
33	AH126377	SHIELD	1	-685100	(CUT TO LENGTH) (653A, 654A AND 853A)
34	AH89637	CHAIN SPROCKET	1		13 TEETH
35	24H1401	WASHER	1	-654300	
36	A31870	LOCK NUT	1	-654300	M20
	24M7242	WASHER	1		21.400 X 42 X 5 MM
	H149361	LOCK NUT	1	654301-	M20
37	H97517	BUSHING	1		
38	H96762	STRAP	1		
39	24H1850	WASHER	1		17/32" X 1-1/4" X 0.180"
40	19M7785	SCREW	2		M10 X 25
	14M7296	FLANGE NUT	2		M10
41	AH94439	LINK CHAIN	1		ROLLER, DRIVE, TYPE 60, 3/4" PITCH, 130 LINKS
42	24H1571	WASHER	AR		1-25/32" X 2-7/8" X 0.120"

653A - DRIVE, LH (685101- )  
 HP9741 -UN-03MAY00



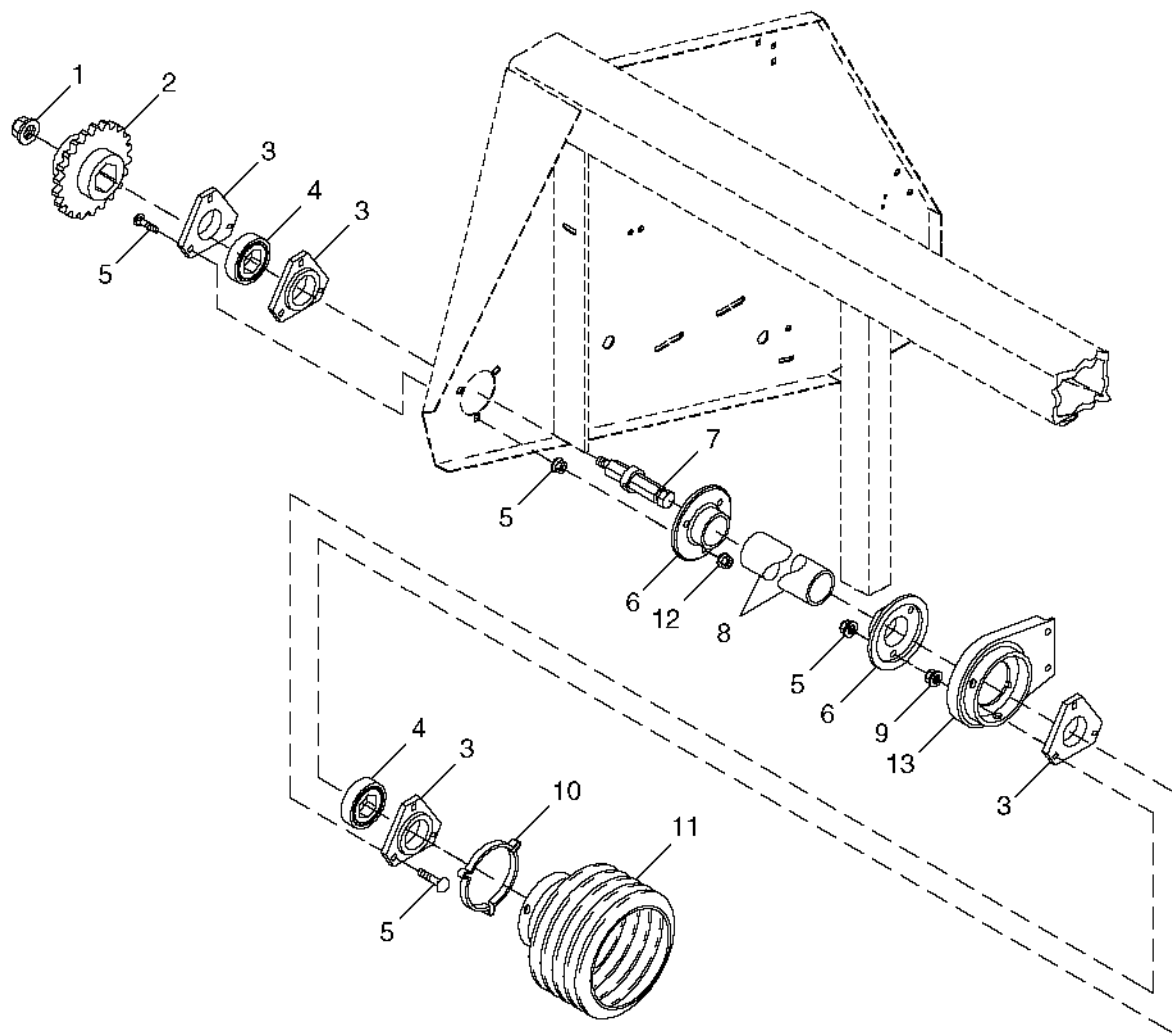
HP9741

KEY	PART NO.	PART NAME	QTY	SERIAL NO.	REMARKS
1	H149361	LOCK NUT	1	M20	
2	AH89637	CHAIN SPROCKET	1		
3	H161529	PRESSED FLANGED HOUSING	4		
4	AN102010	BEARING	2		
5	03M7194	BOLT	3	M10 X 40	
	14M7296	FLANGE NUT	3	M10	
6	H162189	RETAINER	2		
7	AH145852	SHAFT	1		
8	.....	TUBE	1		
9	AH163273	BRACKET	1		
10	19M7788	SCREW	2	M12 X 25	
	E80242	LOCK NUT	2	M12	
11	H168246	RING	1		
12	H168297	SHIELD	1		
13	14M7296	FLANGE NUT	2	M10	

---

MEMORANDA

853A - DRIVE,LH (685101- )  
HP9752 -UN-15MAY00



HP9752

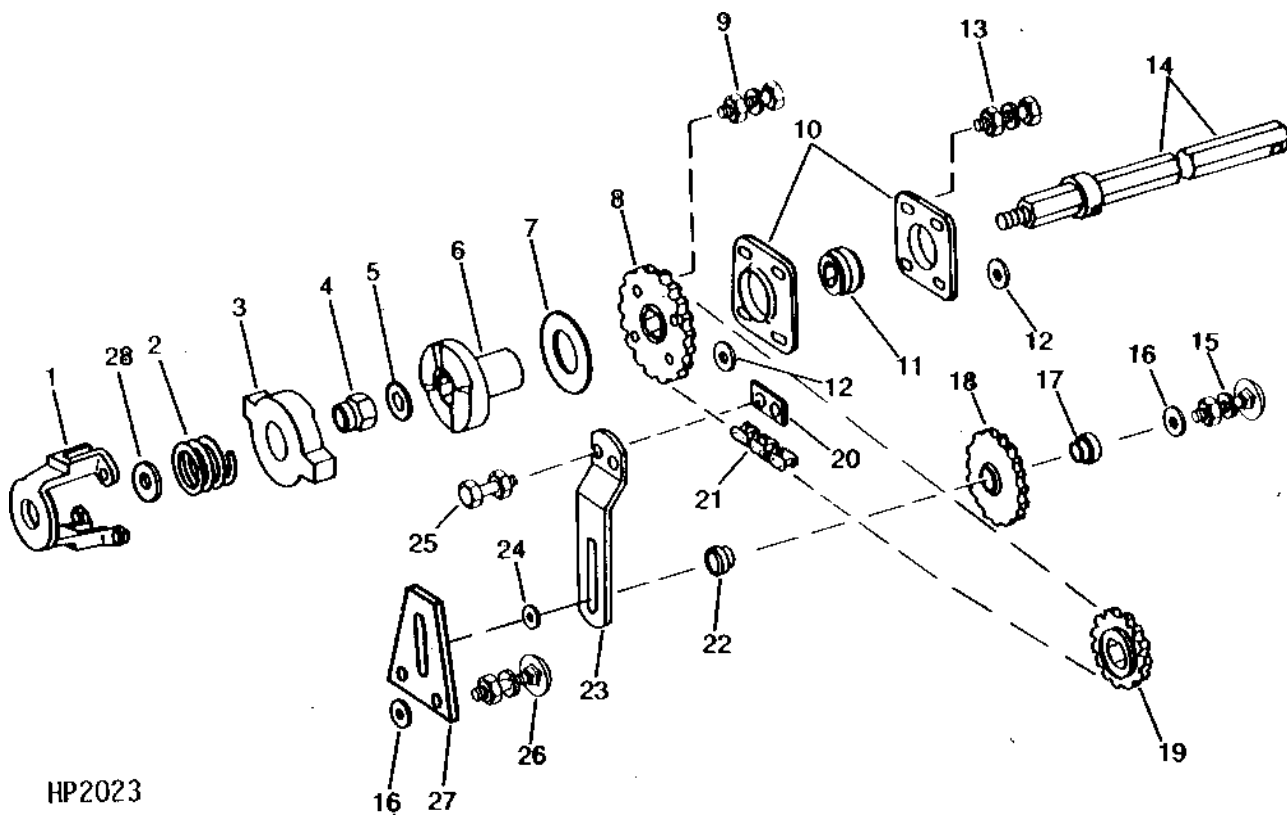
853A - DRIVE, LH (685101- ) - CONTINUED

KEY	PART NO.	PART NAME	QTY	SERIAL NO.	REMARKS
1	H149361	LOCK NUT	1	M20	
2	AH89637	CHAIN SPROCKET	1		
3	H161529	PRESSED FLANGED HOUSING	4		
4	AN102010	BEARING	2		
5	03M7194	BOLT	6	M10 X 40	
	14M7296	FLANGE NUT	6	M10	
6	H162189	RETAINER	2		
7	AH162717	SHAFT	1		
8	.....	TUBE	1		USE H161892 (CUT TO LENGTH)
9	H165237	SPACER	3		
10	H168246	RING	1		
11	H168297	SHIELD	1		
12	14M7296	FLANGE NUT	3	M10	
13	.....	BRACKET	1		WELDED (USE AH163273)

## ROW UNIT DRIVE SHAFT, SPROCKETS & SLIP CLUTCH (LEFT-HAND)

(854A & 1253A) (-630100)

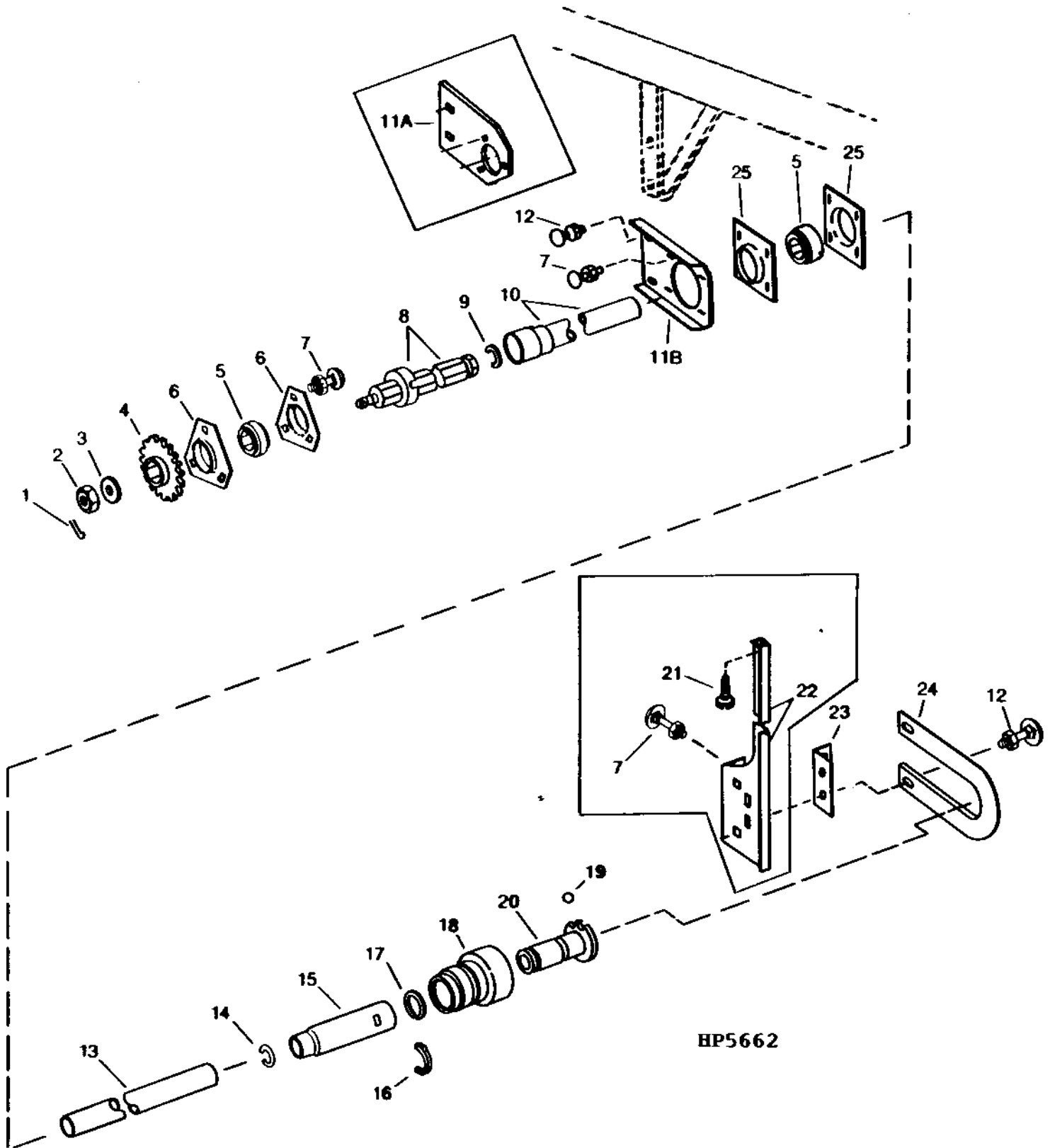
HP2023 -UN-01JAN94



**ROW UNIT DRIVE SHAFT, SPROCKETS & SLIP CLUTCH (LEFT-HAND) - CONTINUED**  
**(854A & 1253A)( -630100)**

KEY	PART NO.	PART NAME	QTY	SERIAL NO.	REMARKS
1	H102477	HOUSING	1		
2	H102497	SPRING	1	(854A)	
	H109855	SPRING	1	(1253A)	
3	H101677	JAW	1		
4	14H912	NUT	1	19.050 MM (3/4")	
5	24H1399	WASHER	1	19.837 X 41.275 X 4.572 MM (25/32" X 1-5/8" X 0.180")	
6	H109783	HUB	1		
7	H99303	WASHER	1	46.736 X 90.424 X 3.404 MM (1.840" X 3.560" X 0.134")	
8	AH102671	CHAIN SPROCKET	1	30 TEETH (854A)	
	AH112722	CHAIN SPROCKET	1	39 TEETH (1253A)	
9	19H1930	CAP SCREW	4	12.700 X 63.500 MM (1/2" X 2-1/2")	
	12H301	LOCK WASHER	4	1/2"	
	14H1040	NUT	4	12.700 MM (1/2")	
10	N103830	PRESSED FLANGED HOUSING	2		
11	AN102010	BEARING	1		
12	24H1305	WASHER	8	13/32" X 13/16" X 0.065"	
13	19H1731	CAP SCREW	4	9.525 X 25.400 MM (3/8" X 1")	
	12H304	LOCK WASHER	4	3/8"	
	14H812	NUT	4	9.525 MM (3/8")	
14	AH143157	SHAFT	1		
15	03H2114	BOLT	1	12.700 X 69.850 MM (1/2" X 2-3/4") (854A)	
	03H2082	BOLT	1	12.700 X 95.250 MM (1/2" X 3-3/4") (1253A)	
	12H301	LOCK WASHER	1	1/2"	
	14H1040	NUT	1	12.700 MM (1/2")	
16	24H1850	WASHER	2	17/32" X 1-1/4" X 0.180"	
17	H114641	SPACER	1	(854A)	
	H116521	BUSHING	1	(1253A)	
18	AN31211	CHAIN SPROCKET	1	15 TEETH, TIGHTENER (854A)	
	AN210556	CHAIN SPROCKET	2	15 TEETH, TIGHTENER (1253A) (SUB AN115321)	
19	AH89637	CHAIN SPROCKET	1	13 TEETH, (854A)	
	AH112692	CHAIN SPROCKET	1	17 TEETH (1253A)	
20	H97516	STRAP	1	(854A)	
21	AH94439	LINK CHAIN	1	ROLLER, DRIVE, TYPE 60, 3/4" PITCH, 130 LINKS (854A)	
	.....	CHAIN LINK	1	ROLLER, DRIVE, TYPE 50-2 DOUBLE WIDTH, 5/8" PITCH, 158 LINKS (ASSEMBLE FROM (15) AH66615, (4) P20350 AND (4) AP15292) (1253A)	
22	H97517	BUSHING	1	(854A)	
23	H96762	STRAP	1		
24	24H1788	WASHER	AR	17/32" X 1-1/8" X 0.060", (1253A)	
25	E55662	FLANGE NUT	1	9.525 MM (3/8")	
26	03H1746	BOLT	2	12.700 X 31.750 MM (1/2" X 1-1/4") (1253A)	
	12H301	LOCK WASHER	2	12.700 MM (1/2") (1253A)	
	14H1040	NUT	2	12.700 MM (1/2")	
27	H115074	STRAP	1		
28	24H1571	WASHER	AR	1-25/32" X 2-7/8" X 0.120"	

ROW UNIT DRIVE (LEFT-HAND)  
(854A & 1253A) (-630100)  
HP5662 -UN-01JAN94



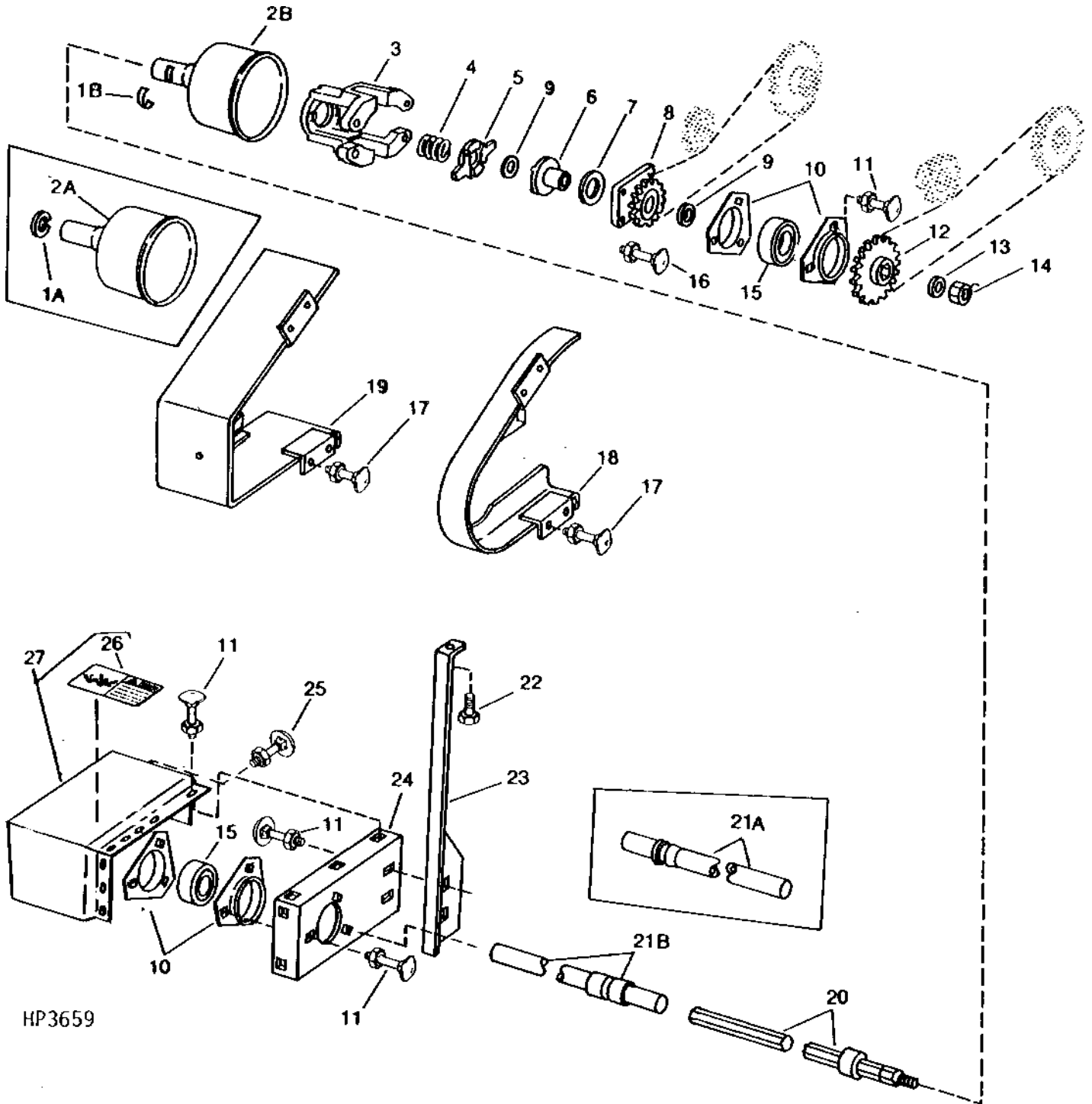
HP5662



**ROW UNIT DRIVE (LEFT-HAND) - CONTINUED**  
**(854A & 1253A)( -630100)**

KEY	PART NO.	PART NAME	QTY	SERIAL NO.	REMARKS
1	11M7030	COTTER PIN	1		5 X 40 MM
2	14H912	NUT	1		19.050 MM (3/4") SLOTTED
	12H236	LOCK WASHER	1		19.050 MM (3/4")
3	24H1401	WASHER	1		25/32" X 1-3/4" X 0.194"
4	AH89637	CHAIN SPROCKET	1		13 TEETH (854A)
	AH112692	CHAIN SPROCKET	1		17 TEETH (1253A)
5	AN102010	BEARING	2		
6	C3994E	PRESSED FLANGED HOUSING	4		(854A,-620463; 1253A,-620511)
	H103265	PRESSED FLANGED HOUSING	2		(ORDER H161529)
	H161529	PRESSED FLANGED HOUSING	2		
7	03H1765	BOLT	8		9.525 X 19.050 MM (3/8" X 3/4") (854A,-620463; 1253A,-620511)
	03H1765	BOLT	7		9.525 X 19.050 MM (3/8" X 3/4") (854A,620464-; 1253A,620512-)
	E55662	FLANGE NUT	8		9.525 MM (3/8") (854A,-620463; 1253A,-620511)
	E55662	FLANGE NUT	7		9.525 MM (3/8") (854A,620464-; 1253A,620512-)
8	AH105016	DRIVE SHAFT	1		(854A) (SUB AH143742)
	AH143742	SHAFT	1		(SUB AH145833) (854A)
	AH145833	SHAFT	1		2516.5 MM (99 IN.) (854A)
	AH105014	DRIVE SHAFT	1		(1253A) (SUB AH143743)
	AH143743	SHAFT	1		(SUB AH145834) (1253A)
	AH145834	SHAFT	1		3329.5 MM (131 IN.) (1253A)
9	H80926	SNAP RING	1		
10	H105843	TUBE	1	-620463	OUTER (854A)
	H93436	SHIELD	1	620464-635000	OUTER (854A) (SUB AH126377)
	H105842	SHIELD	1	-620511	OUTER (1253A)
	H93436	SHIELD	1	620512-635000	OUTER (1253A) (SUB AH126377)
	AH126377	SHIELD	1		(CUT TO LENGTH) (854A AND 1253A)
11A	H88983	SUPPORT	1		(854A,-620463; 1253A,-620511)
11B	H97732	BRACKET	1		(854A,620464-635100; 1253A,620512-635100) (SUB H135199)
	H135199	BRACKET	1		
12	03H1765	BOLT	4		9.525 X 19.050 MM (3/8" X 3/4")
	14H812	NUT	4		9.525 MM (3/8")
	12H304	LOCK WASHER	4		9.525 MM (3/8")
13	H105845	SHIELD	1	-620463	INNER (854A)
	H93436	SHIELD	1	620464-635100	INNER (854A) (CUT TO LENGTH) (SUB H97709)
	H105844	SHIELD	1	-620511	INNER (1253A)
	H129571	SHIELD	1	620512-635100	INNER (1253A) (SUB H97709)
	H97709	SHIELD	1		(854A AND 1253A) (CUT TO LENGTH)
14	P50419	SNAP RING	1		
15	H93438	SHIELD	1		
16	E62951	UNIVERSAL JOINT BEARING	1		
17	H25360	SNAP RING	1		
18	AH89038	QUICK COUPLER	1		
19	N104243	BALL	3		
20	AN102382	CHAIN SPROCKET	1		14 TEETH
21	H76139	SCREW	1		7.938 X 19.050 MM (5/16" X 3/4") (854A,-620463; 1253A,-620511)
22	H92101	SUPPORT	1		(854A,-620463; 1253A,-620511)
23	H114558	ANGLE	1		(854A,-620463; 1253A,-620511) (SUB H135342)
24	H87226	BRACKET	1		
	H135342	ANGLE	1		
25	N103830	PRESSED FLANGED HOUSING	2		(854A, 620464-; 1253A,620512-)

ROW UNIT DRIVE - RIGHT-HAND (SIDEHILL)  
(454A & 653A) (FOR USE WITH 6600 AND 6620 COMBINES)  
HP3659 -UN-01JAN94



HP3659

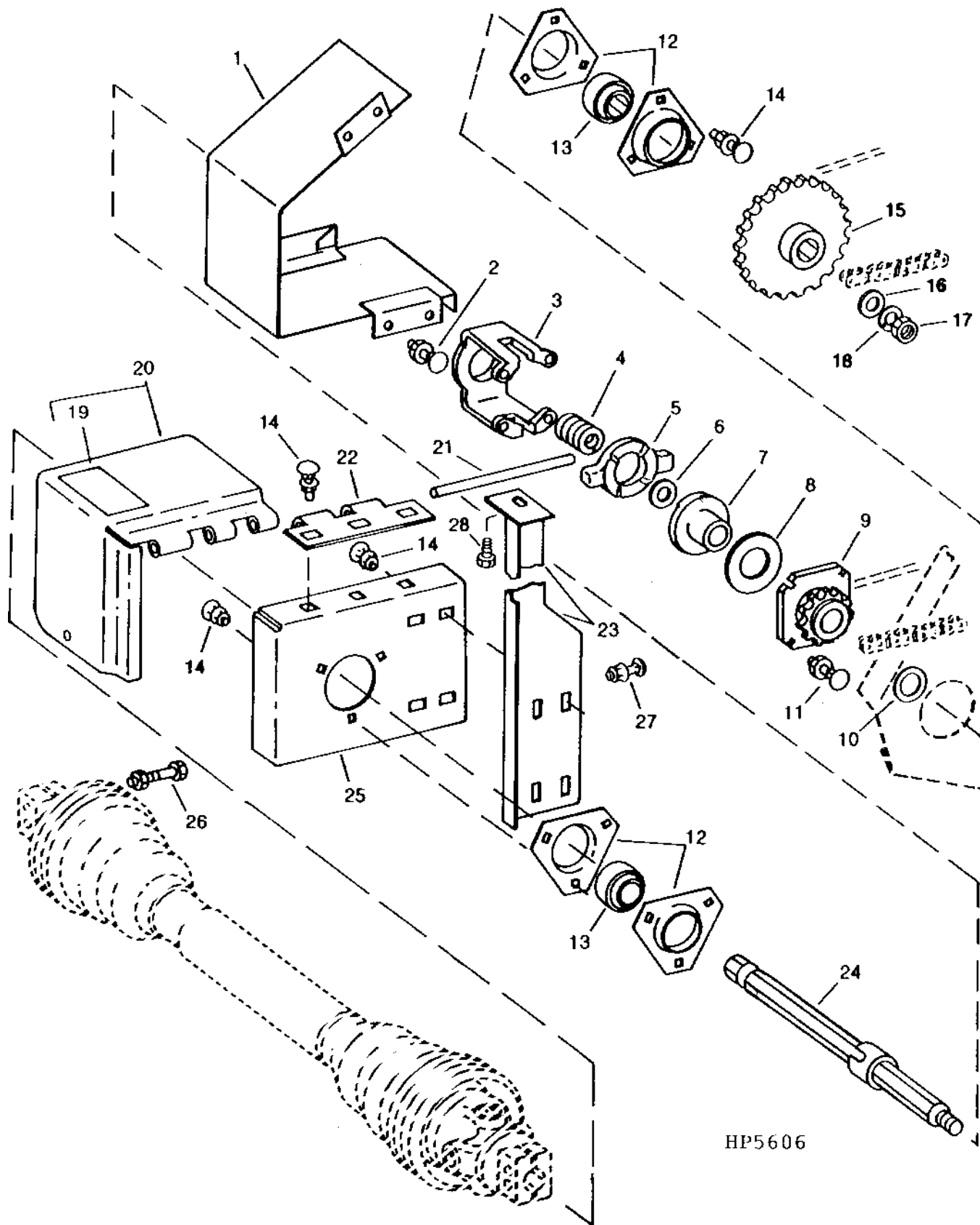
**ROW UNIT DRIVE - RIGHT-HAND (SIDEHILL) - CONTINUED  
(454A & 653A) (FOR USE WITH 6600 AND 6620 COMBINES)**

KEY	PART NO.	PART NAME	QTY	SERIAL NO.	REMARKS
1A	H87059	SNAP RING	1	-630108	(653A)
1B	E62951	UNIVERSAL JOINT BEARING	1		(653A)
2A	AH88540	SHIELD	1	-630108	(653A)
2B	H135222	SHIELD	1		(653A)
3	H100363	HOUSING	1	-576885	(SUB H112654)
	H112654	HOUSING	1		
4	H101276	SPRING	1		
5	H101677	JAW	1		
6	H101678	HUB	1		
7	H99303	WASHER	1		46.736 X 90.424 X 3.404 MM (1.840" X 3.560" X 0.134")
8	AH97927	CHAIN SPROCKET	1		(454A,-600055;653A,-600225) (SUB AH120806 AND (2) H125405)
	AH120806	CHAIN SPROCKET	1		13 TEETH, (SUB AH143100) (USE WITH H125405)
9	H99306	SPACER	1	-610100	33.325 X 44.450 X 10.668 MM (1-5/16" X 1-3/4" X 0.420") (SUB (2) H125405)
	H125405	WASHER	2		34.138 X 45.170 X 5 MM (1.344" X 1.778" X 0.197") (USE WITH AH120806)
10	C3994E	PRESSED FLANGED HOUSING	4	-620100	
	H103265	PRESSED FLANGED HOUSING	4	-16FEB8	
	H161529	PRESSED FLANGED HOUSING	4	16FEB8-	
11	03M7190	BOLT	13		M10 X 20
	14M7296	FLANGE NUT	13		M10
12	AH89637	CHAIN SPROCKET	1		13 TEETH, DRIVE
13	24H1399	WASHER	1	-575900	25/32" X 1-5/8" X 0.180"
	24H1401	WASHER	1	575901-	25/32" X 1-3/4" X 0.194"
14	A31870	LOCK NUT	1		M20
	24M7242	WASHER	1		21.400 X 42 X 5 MM
15	AN102010	BEARING	2		
16	03M7195	BOLT	4		M10 X 45
	12H304	LOCK WASHER	4		3/8"
	14M7274	NUT	4		M10
17	03M7184	BOLT	4		M8 X 20
	14M7298	FLANGE NUT	4		M8
18	AH101571	SHIELD	1		(653A)
19	AH98311	SHIELD	1		(454A)
20	AH103041	DRIVE SHAFT	1	-655100	(SUB AH143156) (454A)
	AH143156	SHAFT	1		(SUB AH145835) (454A)
	AH145835	SHAFT	1		324 MM (12-3/4 IN.) (454A)
	AH103042	DRIVE SHAFT	1	-640700	(SUB AH145836) (653A)
	AH145836	SHAFT	1		593.3 MM (23-1/4 IN.) (653A)
21A	AH103079	SHIELD	1	-630108	(653A)
21B	AH133738	POWERSHAFT SHIELD	1		(653A)
22	37M7058	SCREW	1		M8 X 20, SELF-TAPPING
23	H92100	SUPPORT	1		
24	H89456	BRACKET	1		
25	03M7191	BOLT	2		M10 X 25
	14M7296	FLANGE NUT	2		M10
26	E74026	DECAL	AR		"DANGER" (DRIVE SHAFT) (454A, 1 USED; 653A, 2 USED)
27	H88095	SHIELD	AR		(1 USED, 454A,-620150; 2 USED, 653A,-620250)
	H134062	SHIELD	AR		(SUB H134062)

# J1

ROW UNIT DRIVE - RIGHT-HAND (SIDEHILL)  
(653A) (FOR USE WITH 9500SH COMBINES)  
(-685100)

HP5606 -UN-01JAN94



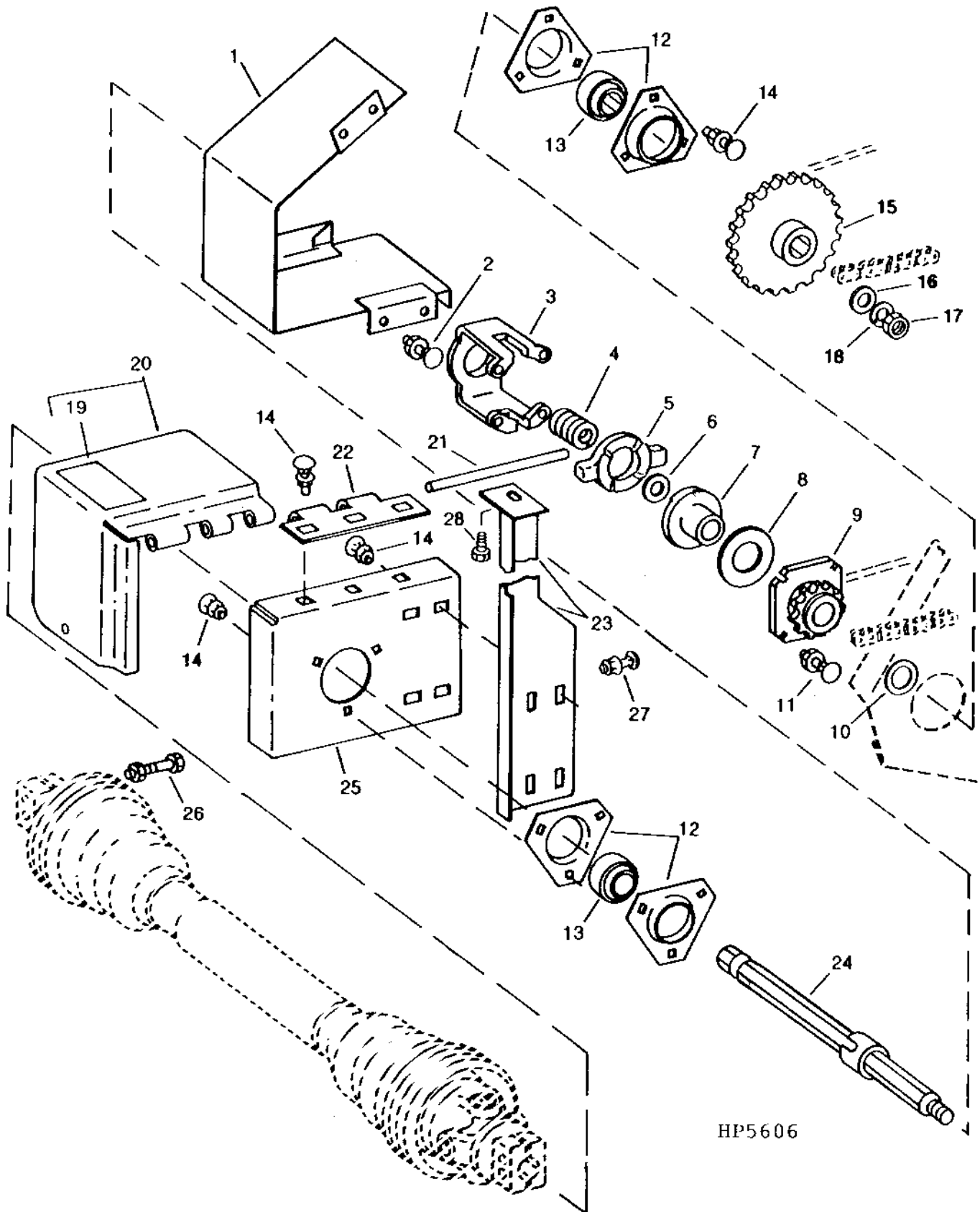
HP5606

ROW UNIT DRIVE - RIGHT-HAND (SIDEHILL) - CONTINUED  
 (653A) (FOR USE WITH 9500SH COMBINES)  
 (-685100)

KEY	PART NO.	PART NAME	QTY	SERIAL NO.	REMARKS
1	AH98311	SHIELD	1		
2	03H1540	BOLT	2	-655399	5/16" X 3/4"
3	H112654	HOUSING	1		
4	H101276	SPRING	4		
5	H101677	JAW	1		
6	H125405	WASHER	1		1.344" X 1.778" X 0.197"
7	H101678	HUB	1		
8	H99303	WASHER	1		1.840" X 3.560" X 0.134"
9	AH120806	CHAIN SPROCKET	1	-655100	(SUB AH143100)
	AH143100	DRIVE SPROCKET	1		
10	H125405	WASHER	2		
11	03H1495	BOLT	4	-655399	3/8" X 1-1/2"
	12H304	LOCK WASHER	4	-655399	3/8"
	14H812	NUT	4	-655399	3/8"
12	H103265	PRESSED FLANGED HOUSING	4		
13	AN102010	BEARING	2		
14	03H1765	BOLT	13	-655399	3/8" X 3/4"
	E55662	FLANGE NUT	6	-655399	3/8"
15	AH89637	CHAIN SPROCKET	1		
16	24H1401	WASHER	1		25/32" X 1-3/4" X 0.194"
17	14H794	NUT	1	-655399	3/4"
18	12H236	LOCK WASHER	1	-655399	3/4"
19	E74026	DECAL	1		
20	AH141293	SHIELD	1		
21	H142308	PIN	1		12.700 X 202 MM (1/2" X 7.953") (SUB H99025)
	H99025	DOWEL PIN	1		12.700 X 1 663.700 MM (1/2" X 65-1/2")
22	H147245	HINGE	1		
23	AH141172	ANGLE	1	-665200	(SUB AH148005)
	AH148005	SUPPORT	1		
24	AH141300	SHAFT	1	-655100	(SUB AH143045)
	AH143045	SHAFT	1	-655200	(SUB AH145845)
	AH145845	SHAFT	1		
25	H147547	BRACKET	1		
26	19M7817	SCREW	4	-655399	M12 X 70
	14M7401	LOCK NUT	4	-655399	M12
27	03H1540	BOLT	2	-655399	5/16" X 3/4"
	A22698	NUT	2	-655399	7.925 MM (5/16")
28	H76139	SCREW	1	-655399	7.938 X 19.050 MM (5/16" X 3/4")

# J3

ROW UNIT DRIVE - RIGHT-HAND (SIDEHILL)  
(653A) (FOR USE WITH 9500SH COMBINES)  
(-685100)  
HP5606 -UN-01JAN94



HP5606

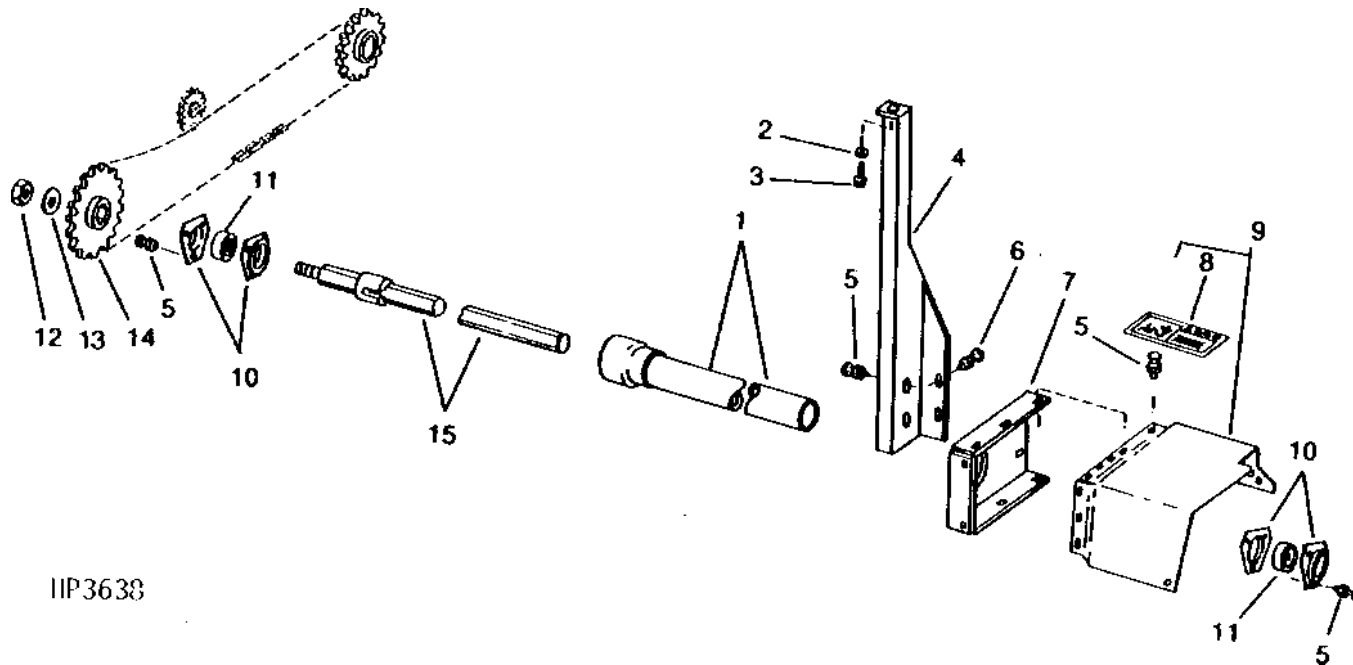
ROW UNIT DRIVE - RIGHT-HAND (SIDEHILL) - CONTINUED  
 (653A) (FOR USE WITH 9500SH COMBINES)  
 (-685100)

KEY	PART NO.	PART NAME	QTY	SERIAL NO.	REMARKS
1	AH98311	SHIELD	1		
2	03M7184	BOLT	2	M8 X 20	
3	H112654	HOUSING	1		
4	H101276	SPRING	4		
5	H101677	JAW	1		
6	H125405	WASHER	1	1.344" X 1.778" X 0.197"	
7	H101678	HUB	1		
8	H99303	WASHER	1	1.840" X 3.560" X 0.134"	
9	AH143100	DRIVE SPROCKET	1		
10	H125405	WASHER	2	34.138 X 45.170 X 5 MM (1.344" X 1.778" X 0.197")	
11	03M7195	BOLT	4	M10 X 45	
	12H304	LOCK WASHER	4	3/8"	
	14M7274	NUT	4	M10	
12	H103265	PRESSED FLANGED HOUSING	4	-16FEB8	
	H161529	PRESSED FLANGED HOUSING	4	16FEB8-	
13	AN102010	BEARING	2		
14	03M7190	BOLT	13	M10 X 20	
	14M7296	FLANGE NUT	6	M10	
15	AH89637	CHAIN SPROCKET	1		
16	24H1401	WASHER	1	-655211	25/32" X 1-3/4" X 0.194"
17	A31870	LOCK NUT	1	-655211	M20
	H149361	LOCK NUT	1	655212-	M20
18	24M7242	WASHER	1	-655211	21.400 X 42 X 5 MM
19	E74026	DECAL	1		
20	AH141293	SHIELD	1		
21	H99025	DOWEL PIN	1		12.700 X 1 663.700 MM (1/2" X 65-1/2")
22	H147245	HINGE	1		
23	AH141172	ANGLE	1	-665200	(SUB AH148005)
	AH148005	SUPPORT	1		
24	AH143045	SHAFT	1	-660200	(SUB AH145845)
	AH145845	SHAFT	1		
25	H141547	SHIELD	1		
26	19M7817	SCREW	4	M12 X 70	
	14M7401	LOCK NUT	4	M12	
27	03M7185	BOLT	2	M8 X 25	
	14M7298	FLANGE NUT	2	M8	
28	37M7058	SCREW	1	M8 X 20	

BH79732 (COMPLETE GOODS) SHAFT AND SHIELD ASSEMBLY  
 BH79733 (COMPLETE GOODS) SHIELD ASSEMBLY

**ROW UNIT DRIVE - LEFT-HAND (SIDEHILL)**  
**(653A) (FOR USE WITH 6600 AND 6620 COMBINES)**

HP3638 -UN-01JAN94



IIP3638

KEY	PART NO.	PART NAME	QTY	SERIAL NO.	REMARKS
1	H102878	SHIELD	1	-635000	(SUB AH126377)
	AH126377	SHIELD	1		(CUT TO LENGTH)
2	24H1136	WASHER	1		11/32" X 11/16" X 0.065"
3	H76139	SCREW	1		SELF-TAPPING
4	H92101	SUPPORT	1		
5	03M7190	BOLT	13		M10 X 20
	14M7296	FLANGE NUT	13		M10
6	03M7185	BOLT	2		M8 X 25
	14M7298	FLANGE NUT	2		M8
7	H89456	BRACKET	1		
8	E74026	DECAL	1		"DANGER" (DRIVE SHAFT)
9	H88095	SHIELD	1	-620250	(SUB H134063)
	H134063	SHIELD	1		L.H.
10	C3994E	PRESSED FLANGED HOUSING	4	-620100	
	H103265	PRESSED FLANGED HOUSING	4	-16FEB8	
	H161529	PRESSED FLANGED HOUSING	4	16FEB8-	
11	AN102010	BEARING	2		
12	A31870	LOCK NUT	1		M20
	12H236	LOCK WASHER	1		3/4"
13	24H1399	WASHER	1	-575900	25/32" X 1-5/8" X 0.180"
	24M7242	WASHER	1	575901-	21.400 X 42 X 5 MM
14	AH89637	CHAIN SPROCKET	1		13 TEETH, DRIVE
15	AH103049	SHAFT	1	-640700	(SUB AH145837)
	AH145837	SHAFT	1		593.3 MM (23-1/4 IN.)



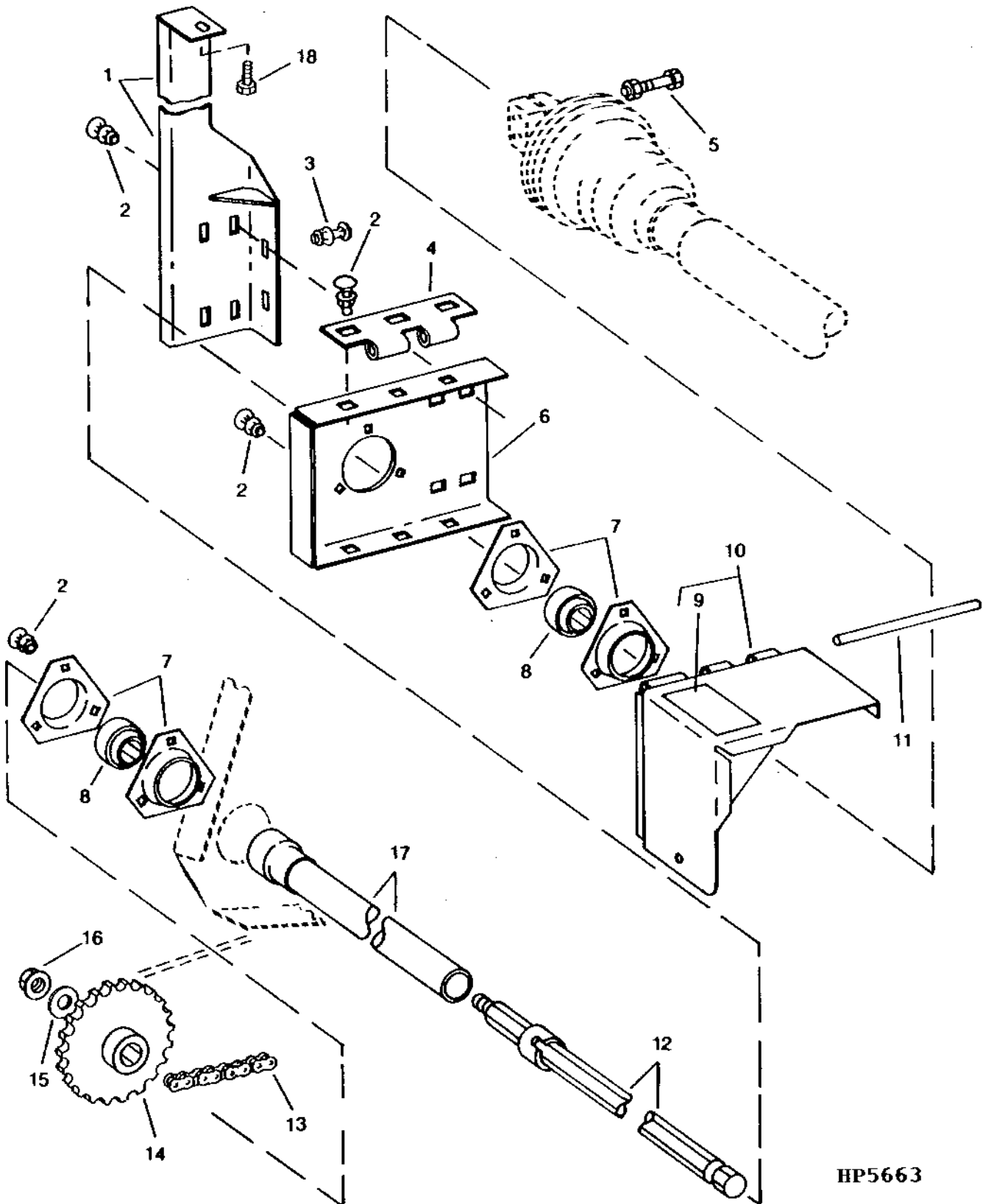
MEMORANDA

# J6

ROW UNIT DRIVE - LEFT-HAND (SIDEHILL) - FOR 9500SH COMBINE

(653A) (645101-655399)

HP5663 -UN-01JAN94



HP5663

**ROW UNIT DRIVE - LEFT-HAND (SIDEHILL) - FOR 9500SH COMBINE - CONTINUED  
(653A) (645101-655399)**

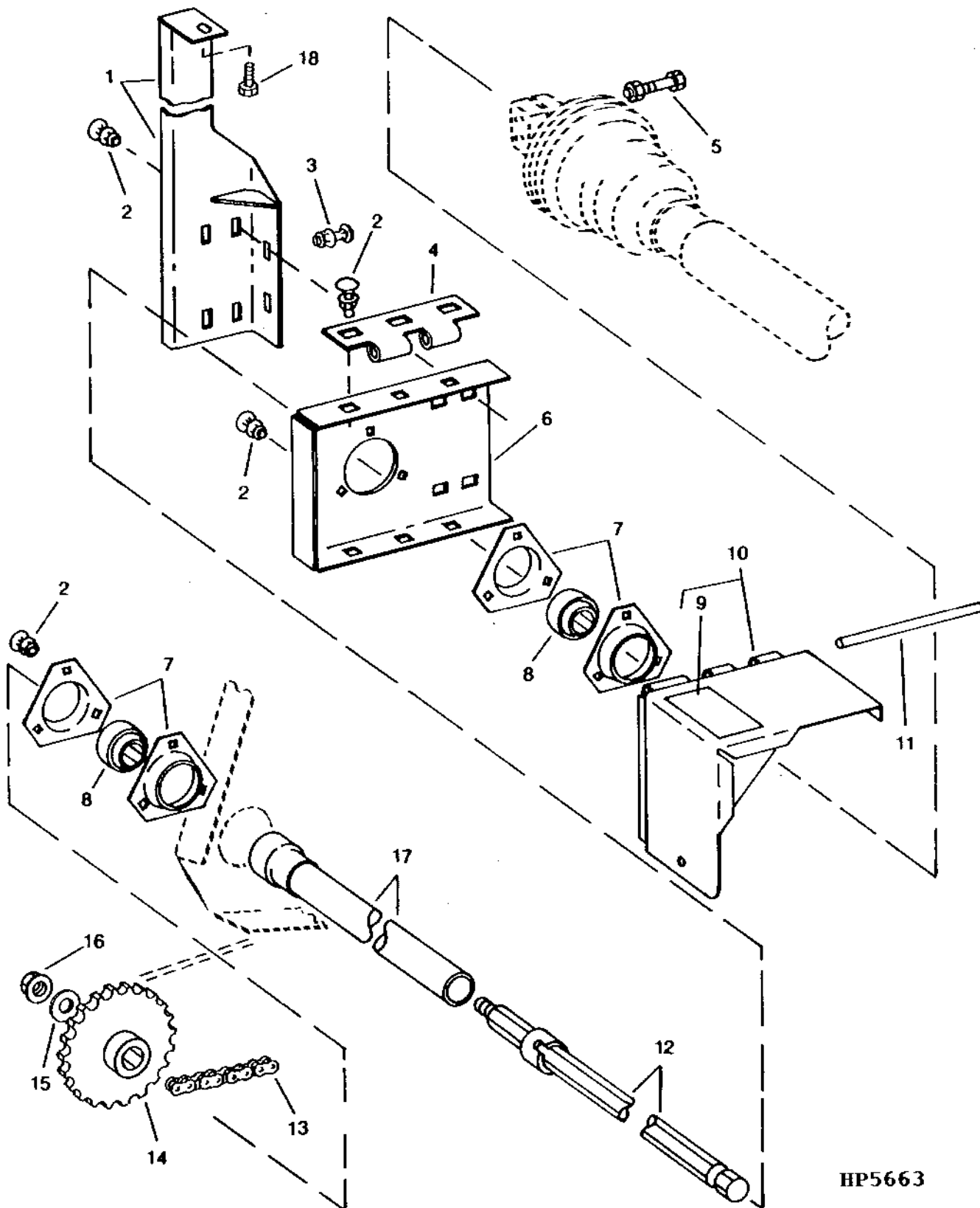
KEY	PART NO.	PART NAME	QTY	SERIAL NO.	REMARKS
1	AH141173	ANGLE	1	-16FEB8	
	AH148006	SUPPORT	1	16FEB8-	
2	03H1500	BOLT	13		3/8" X 1"
	E55662	FLANGE NUT	13		3/8"
3	03H1540	BOLT	2		5/16" X 3/4"
	A22698	NUT	2		5/16"
4	H147245	HINGE	1		
5	19M7817	SCREW	4		M12 X 70
	14M7401	LOCK NUT	1		M12
6	H147547	BRACKET	1		
7	C3994E	PRESSED FLANGED HOUSING	4		
8	AN102010	BEARING	2		
9	E74026	DECAL	1	-660100	(SUB E82514) DRIVE LINE ENTANGLEMENT
	E82514	LABEL	1		DRIVE LINE ENTANGLEMENT
10	AH141294	SHIELD	1		
11	H142308	PIN	1		12.700 X 202 MM (1/2" X 7.953") (SUB H99025)
	H99025	DOWEL PIN	1		12.700 X 1 663.700 MM (1/2" X 65-1/2")
12	AH141436	SHAFT	1	-655100	(SUB AH143046)
	AH143046	SHAFT	1	-655211	(SUB AH145852)
	AH145852	SHAFT	1		
13	AH94439	LINK CHAIN	1		ROLLER, DRIVE, TYPE 60, 3/4" PITCH, 130 LINKS
14	AH89637	CHAIN SPROCKET	1		
15	24H1401	WASHER	1		25/32" X 1-3/4" X 0.194"
16	14H794	NUT	1		
17	AH141298	SHIELD	1		CUT TO LENGTH
18	H76139	SCREW	1		7.938 X 19.050 MM (5/16" X 3/4")

# J8

ROW UNIT DRIVE - LEFT-HAND (SIDEHILL) - FOR 9500SH COMBINES

(653A) (655400-685100)

HP5663 -UN-01JAN94



HP5663

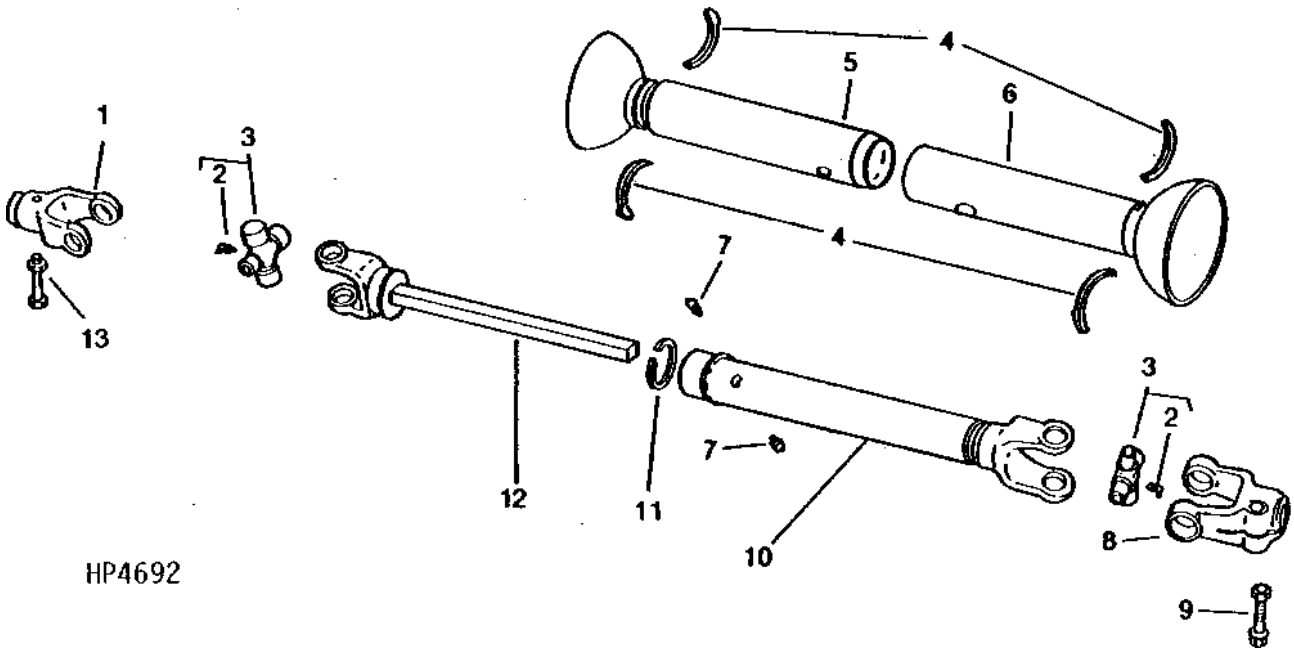
**ROW UNIT DRIVE - LEFT-HAND (SIDEHILL) - FOR 9500SH COMBINES - CONTINUED  
(653A) (655400-685100)**

KEY	PART NO.	PART NAME	QTY	SERIAL NO.	REMARKS
1	AH141173	ANGLE	1	-16FEB8	
	AH148006	SUPPORT	1	16FEB8-	
2	03M7191	BOLT	13		M10 X 25
	14M7296	FLANGE NUT	13		M10
3	03M7185	BOLT	2		M8 X 25
	14M7298	FLANGE NUT	2		M8
4	H147245	HINGE	1		
5	19M7817	SCREW	4		M12 X 70
	14M7401	LOCK NUT	1		M12
6	H147547	BRACKET	1		
7	C3994E	PRESSED FLANGED HOUSING	4		
8	AN102010	BEARING	2		
9	E74026	DECAL	1	-660100	(SUB E82514) DRIVE LINE ENTANGLEMENT
	E82514	LABEL	1		DRIVE LINE ENTANGLEMENT
10	AH141294	SHIELD	1		
11	H99025	DOWEL PIN	1		12.700 X 1 663.700 MM (1/2" X 65-1/2")
12	AH143046	SHAFT	1	-655211	(SUB AH145852)
	AH145852	SHAFT	1		
13	AH94439	LINK CHAIN	1		ROLLER, DRIVE, TYPE 60, 3/4" PITCH, 130 LINKS
14	AH89637	CHAIN SPROCKET	1		
15	24M7242	WASHER	1	-655204	21.400 X 42 X 5 MM
16	A31870	LOCK NUT	1	-655204	M20
	H149361	LOCK NUT	1	655205-	M20
17	AH141298	SHIELD	1		CUT TO LENGTH
18	37M7058	SCREW	1		M8 X 20

# J10

50A SERIES ROW-CROP HEADS

HEADER DRIVE SHAFT - (653A) SIDEHILL  
 (L.H. ILLUSTRATED)  
 (FOR USE WITH 6600 AND 6620 COMBINES)  
 (-615150)  
 HP4692 -UN-01JAN94



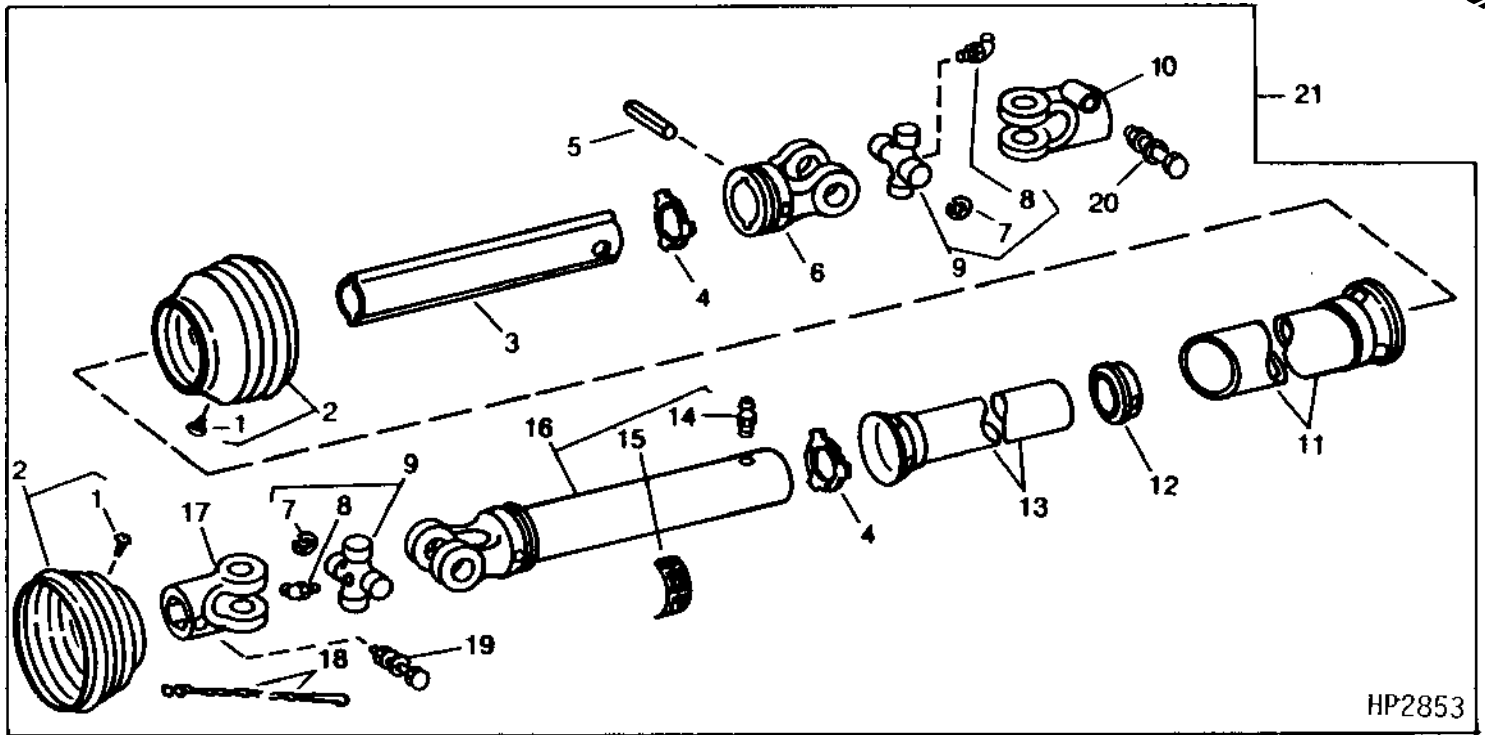
KEY	PART NO.	PART NAME	QTY	SEPARATOR SERIAL NO.	REMARKS
1	H87501	UNIVERSAL JOINT YOKE	1		(INNER)
2	..... P49554	LUBRICATION FITTING SNAP RING	1 4		
3	AE22753 AP24580 AE22753	CROSS AND BEARING ASSEMBLY CROSS AND BEARING ASSEMBLY CROSS AND BEARING ASSEMBLY	2 2 1	-403300 403301-620549	(SUB AE22753)
4	H22039 E62951	UNIVERSAL JOINT BEARING UNIVERSAL JOINT BEARING	4 4	-404255	(SUB E62951)
5	AH60752	POWERSHAFT SHIELD	1		(SUB AH153338)
6	AH153338 AH61953 AH153337	POWERSHAFT SHIELD SHIELD POWERSHAFT SHIELD	1 1 1		(SUB AH153337)
7	JD7797	LUBRICATION FITTING	2		
8	H22135	UNIVERSAL JOINT YOKE	1		(OUTER)
9	19H1820	CAP SCREW	1		1/2" X 3"
	12H301	LOCK WASHER	1		1/2"
	14H1040	NUT	1		1/2"
10	AH60756 AH113101	YOKE, WITH TUBE YOKE, WITH TUBE	1 1	-505018	(SUB AH113101) (TUBE)
11	H24673	SNAP RING	1		
12	AH11668 AH113100	YOKE, WITH SHAFT YOKE, WITH SHAFT	1 1	-505018	(SUB AH113100) (SHAFT)
13	19H1949	CAP SCREW	1		5/16" X 2-1/2"
	12H303	LOCK WASHER	1		5/16"
	14H785	NUT	1		5/16"

NOTE: QUANTITIES SHOWN ARE FOR ONE UNIT. TWO UNITS USED PER MACHINE.

# J11

50A SERIES ROW-CROP HEADS

HEADER DRIVE SHAFT - SIDEHILL (653A)(615151-640700)  
 (FOR USE WITH 6600 AND 6620 COMBINES)  
 WALTERSCHEID (L.H. ILLUSTRATED)  
 HP2853 -UN-01JAN94



KEY	PART NO.	PART NAME	QTY	SERIAL NO.	REMARKS
1	H141365	BOLT	2		
2	AH122922	POWERSHAFT SHIELD	2		
3	H126502	SHAFT	1	-635000	(SUB AH119746)
4	W36510	RING	2		
5	34M6446	SPRING PIN	1		10 X 75 MM
6	H126500	YOKE	1	-635000	(SUB AH119746)
7	40M7077	SNAP RING	8		
8	58M5577	LUBRICATION FITTING	2		
9	AH115426	UNIVERSAL JOINT BEARING	2		
10	H126498	YOKE	1	-635000	(SUB AH119746)
11	AH121565	POWERSHAFT SHIELD	1		
12	W36512	BEARING	1		
13	AH121566	POWERSHAFT SHIELD	1		
14	M87259	LUBRICATION FITTING	1		
15	H129222	LABEL	1		(SUB W43141)
	W43141	LABEL	1		
16	AH121564	YOKE, WITH TUBE	1		
17	H126499	YOKE	1	-635000	(SUB AH119746)
18	AW24500	LINK CHAIN	1		
19	19H1907	CAP SCREW	1		5/16" X 2-3/4"
	12H303	LOCK WASHER	1		5/16"
	14H785	NUT	1		5/16"
20	19H1820	CAP SCREW	1		1/2" X 3"
	12H301	LOCK WASHER	1		1/2"
	14H809	NUT	1		1/2"
21	AH119746	UNIVERSAL DRIVESHAFT	1		(COMPLETE SHAFT ASSEMBLY WILL WORK IN PLACE OF OLD SHAFT ASSEMBLY)

NOTE: QUANTITIES SHOWN ARE FOR ONE UNIT. TWO UNITS USED PER MACHINE.

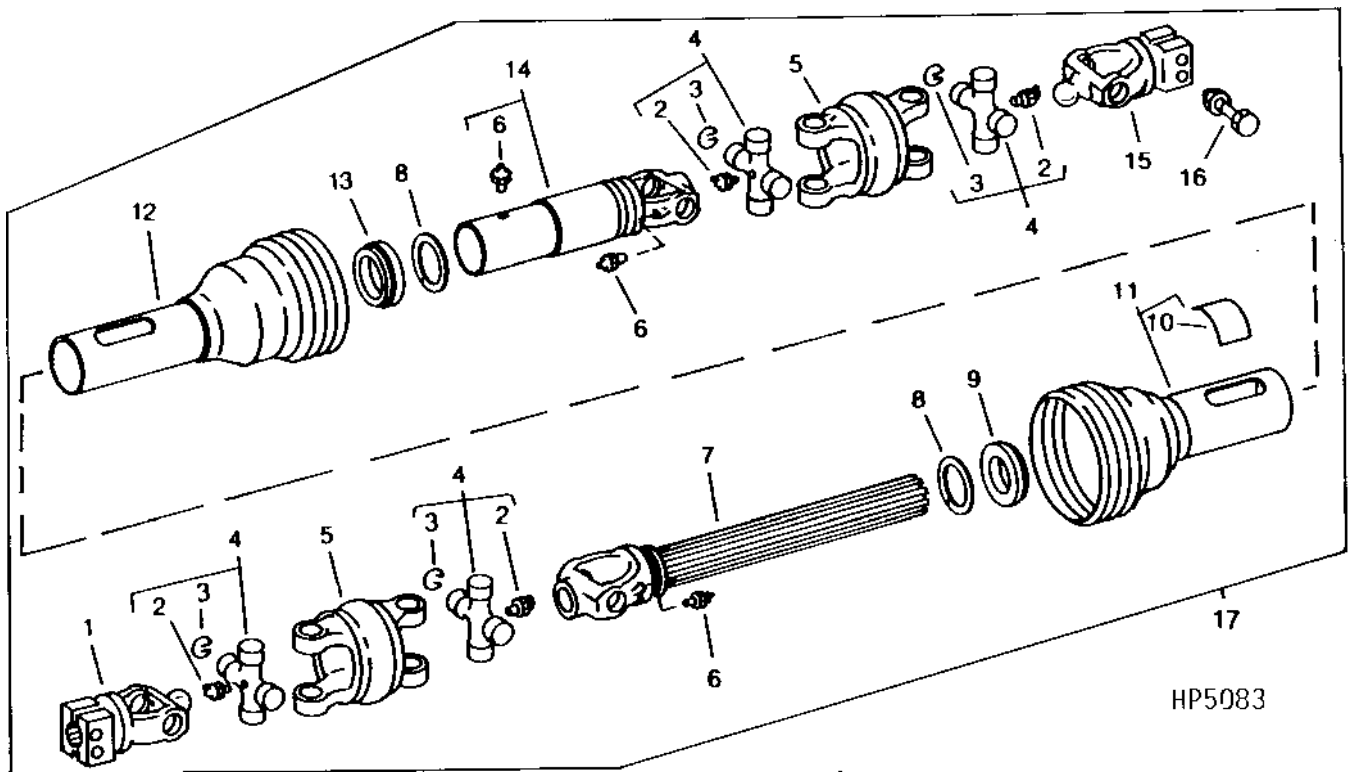
# J12

50A SERIES ROW-CROP HEADS

HEADER DRIVE SHAFT - SIDEHILL (653A) (645101-685100) (FOR 9500SH COMBINE)

WEASLER

HP5083 -UN-01JAN94



HP5083



# J13

50A SERIES ROW-CROP HEADS

**HEADER DRIVE SHAFT - SIDEHILL (653A)(645101-685100) (FOR 9500SH COMBINE) - CONTINUED WEASLER**

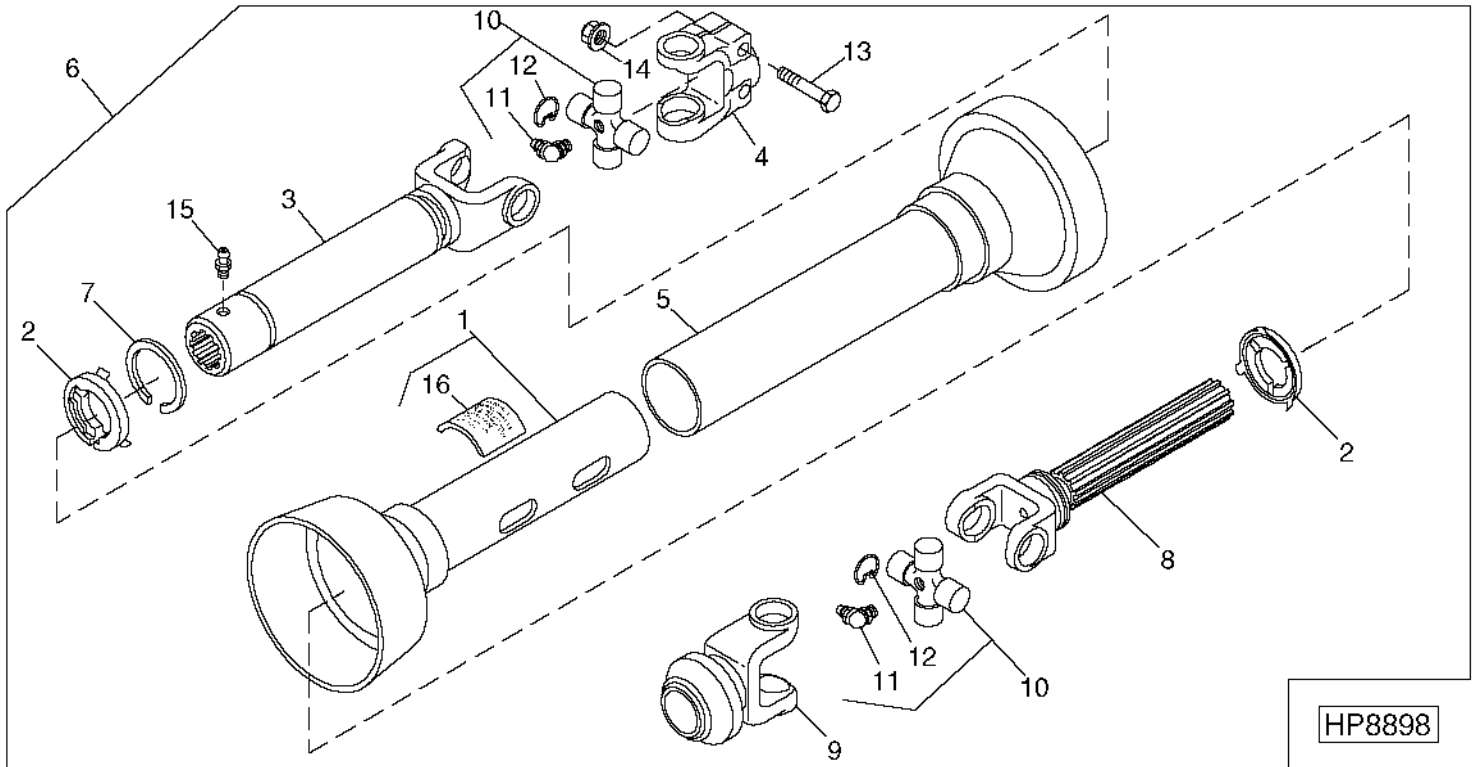
KEY	PART NO.	PART NAME	QTY	SERIAL NO.	REMARKS
1	AH141236	UNIVERSAL JOINT YOKE	1		
2	JD7760	LUBRICATION FITTING	1		
3	BP12946	SNAP RING	1		
4	AE23516	CROSS AND BEARING ASSEMBLY	4		
5	AH141237	UNIVERSAL JOINT YOKE	2		
6	JD7842	LUBRICATION FITTING	3		
7	AH141238	YOKE, WITH SHAFT	2		
8	.....	SNAP RING	2	(SUB AE50072)	
9	H147467	PTO SHIELD RETAINER	1		
10	.....	DECAL	1		
11	AH141239	POWERSHAFT SHIELD	1		
12	AH141241	POWERSHAFT SHIELD	1		
13	E77106	BEARING	1	(SUB AE50072)	
14	AH141240	YOKE, WITH TUBE	1		
15	AH141242	UNIVERSAL JOINT YOKE	1		
16	19M7817	SCREW	4	M12 X 70	
	14M7401	LOCK NUT	4	M12	
17	AH141138	UNIVERSAL DRIVESHAFT	1	COMPLETE SHAFT ASSEMBLY	
..	AE50072	BEARING KIT	1		

# J14

50A SERIES ROW-CROP HEADS

## DRIVE SHAFT FOR CONVERSION TO OLDER COMBINES

(685101- )  
 HP8898 -UN-12AUG99



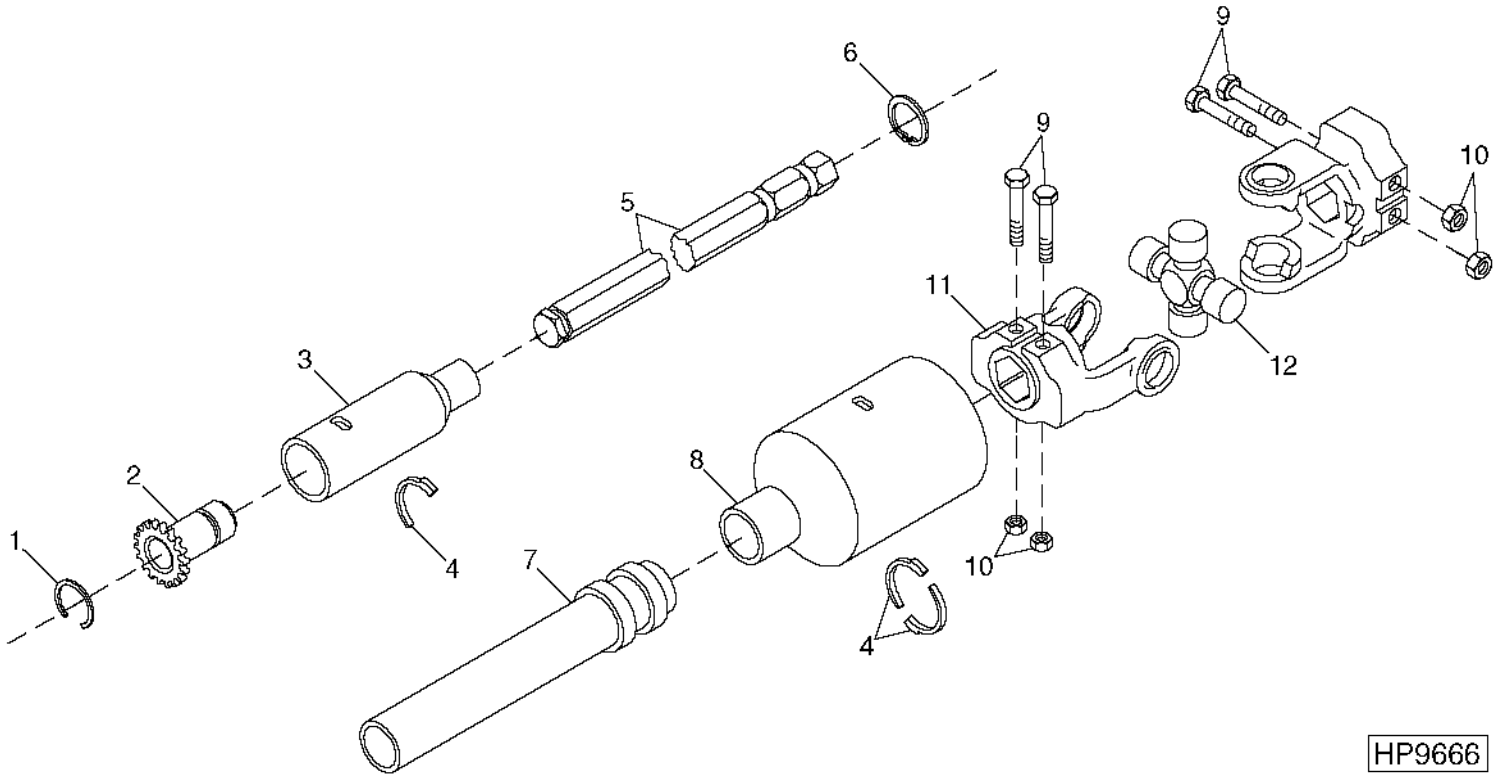
KEY	PART NO.	PART NAME	QTY	SERIAL NO.	REMARKS
1	AH164910	POWERSHAFT SHIELD	1		
2	H161296	SHIELD	2		
3	AH164911	YOKE, WITH TUBE	1		
4	H161295	YOKE WITH LOCKING COLLAR	1		
5	AH164912	POWERSHAFT SHIELD	1		
6	AH155077	UNIVERSAL DRIVESHAFT	2		
7	H161294	SPACER	1		
8	AH164909	YOKE, WITH SHAFT	1		
9	AH144523	UNIVERSAL JOINT YOKE	1		
10	AE23516	CROSS AND BEARING ASSEMBLY	2		
11	JD7760	LUBRICATION FITTING	2		
12	BP12946	SNAP RING	8		
13	19M7817	SCREW	2	M12 X 70	
14	E80242	LOCK NUT	2	M12	
15	H172925	LUBRICATION FITTING	2		
16	H171710	LABEL	1		DRIVE SHAFT WARNING
..	AH162717	SHAFT	2		(FOR 853A CONVERSION TO LEVEL LAND ONLY)

MEMORANDA

# J15

50A SERIES ROW-CROP HEADS

**BACK SHAFT ADAPTOR**  
**NEW HEADS TO OLD LEVEL LAND COMBINES**  
 HP9666 -UN-06APR00



HP9666

KEY	PART NO.	PART NAME	QTY	SERIAL NO.	REMARKS
1	H80926	SNAP RING	1		
2	AH91784	CHAIN SPROCKET	1		
3	H93439	SHIELD	1		
4	E62951	UNIVERSAL JOINT BEARING	3		
5	H168243	SHAFT	1		
6	P50419	SNAP RING	1		
7	AH167979	SHIELD	1		(SUB FOR H168240)
8	H168241	POWERSHAFT SHIELD	1	-XXXXXX	
	H135222	SHIELD	1	XXXXXX-	
9	19M7363	CAP SCREW	4	-XXXXXX	M12 X 60
	19M7753	CAP SCREW	4	XXXXXX-	M12 X 70
10	14M7401	LOCK NUT	4	-XXXXXX	M12
	14M7313	LOCK NUT	4	XXXXXX-	M12
11	H161295	YOKE WITH LOCKING COLLAR	2	XXXXXX-	(WITH AE23516, H135222 AND AH167979 SUB FOR H168244)
12	AE23516	CROSS AND BEARING ASSEMBLY	1	XXXXXX-	(INCLUDES (4) BP12946 AND JD7760)
..	<b>BH81804</b>	<b>COMPLETE GOODS/SHIP. BUNDLE</b>	1		<b>ADAPTER SHAFT BUNDLE(XXXXXX-)</b>
..	AH167995	UNIVERSAL JOINT YOKE	1	XXXXXX-	(INCLUDES (2) H161295 AND AE23516)

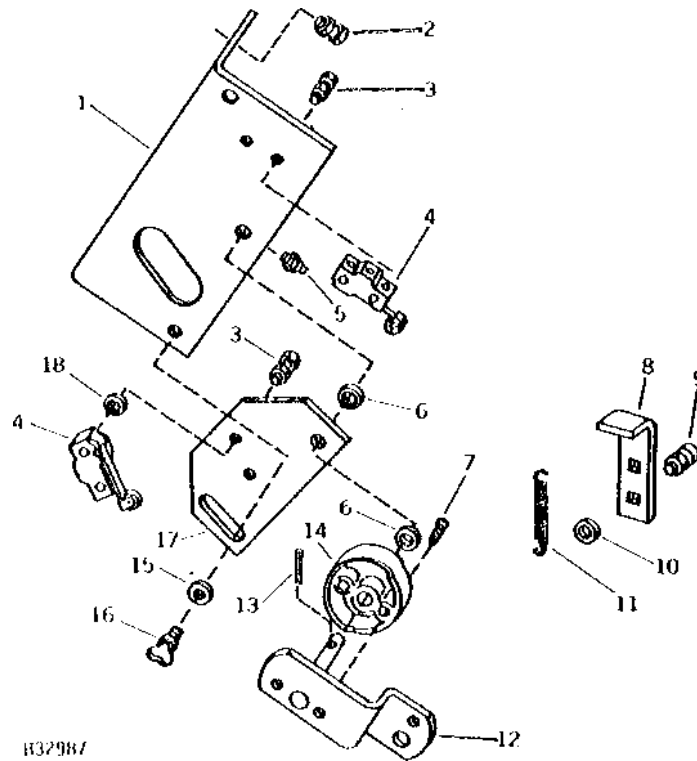
QUANTITIES SHOWN ARE FOR ONE DRIVE

# J16

50A SERIES ROW-CROP HEADS

## SENSING SWITCHES & MOUNTING (AUTOMATIC HEADER HEIGHT CONTROL)

(-525350)  
H32987 -UN-01JAN94



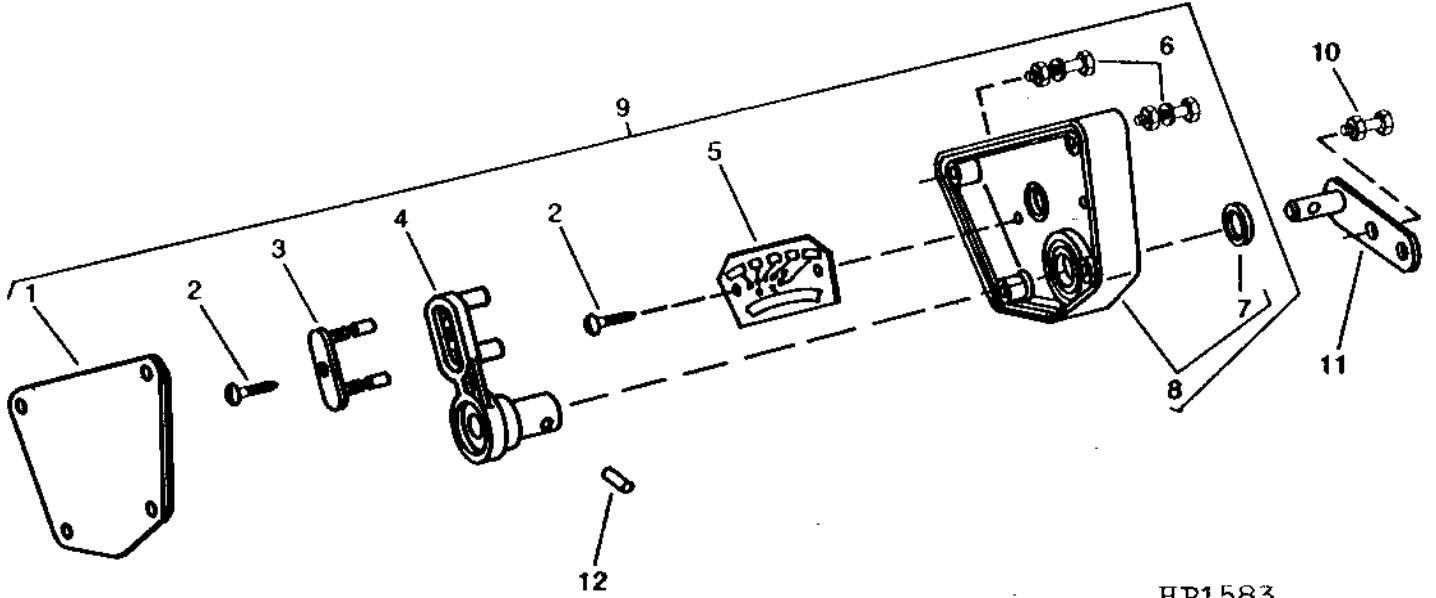
H32987

KEY	PART NO.	PART NAME	QTY	SERIAL NO.	REMARKS
1	AH89588	PLATE	1		
2	19H1900	CAP SCREW	2	5/16" X 3/4"	
	12H303	LOCK WASHER	2	5/16"	
	14H785	NUT	2	5/16"	
3	21H1348	SCREW	4	0.138" X 1-1/8"	
	12H314	LOCK WASHER	4	0.138"	
	14H1026	NUT	4	0.138"	
4	AH62345	SWITCH	2		
5	JD7797	LUBRICATION FITTING	1		
6	24H1304	WASHER	2	13/32" X 23/32" X 0.120"	
7	37H73	SCREW	2	NO. 8 X 1/2"	
8	H103628	BRACKET	1		
9	03H1709	BOLT	2	5/16" X 1"	
	12H303	LOCK WASHER	2	5/16"	
	14H785	NUT	2	5/16"	
10	24H1136	WASHER	2	11/32" X 11/16" X 0.065"	
11	R2577R	SPRING	1		
12	AH89589	ARM	1		
13	11H231	COTTER PIN	1	1/16" X 1"	
14	H88336	ACTUATOR	1		
15	24H1287	WASHER	1	9/32" X 5/8" X 0.065"	
16	B28053	WING SCREW	1	ADJUSTING, (SUB FOR H88344)	
	12H302	LOCK WASHER	1	1/4"	
17	H88348	PLATE	1		
18	24H1281	WASHER	2	5/32" X 3/8" X 0.049"	

# J17

50A SERIES ROW-CROP HEADS

**SENSING BOX  
(DIAL-A-MATIC HEADER HEIGHT CONTROL)**  
(525351-685100)  
HP1583 -UN-01JAN94



HP1583

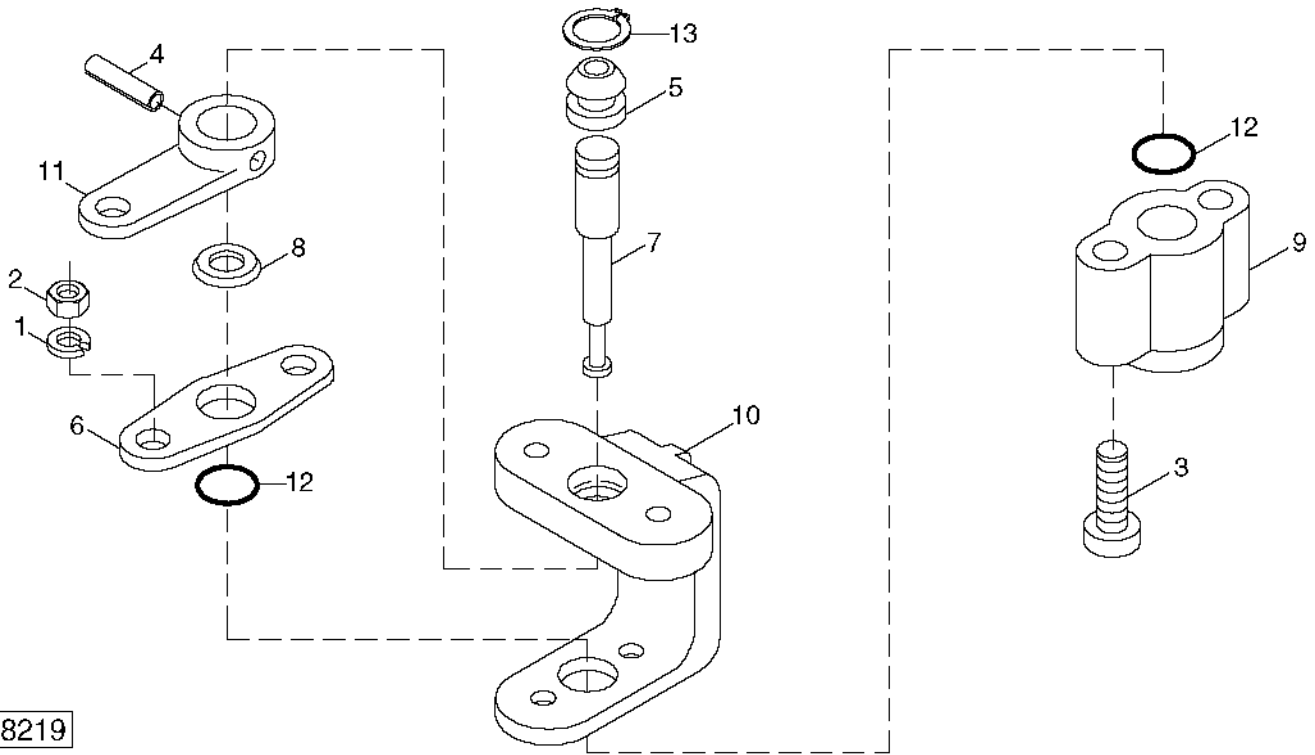
KEY	PART NO.	PART NAME	QTY	SERIAL NO.	REMARKS
1	.....	COVER	1		(SERVICED IN AH109390)
2	37H6	SCREW	3		NO. 6 X 5/16"
3	AH103276	BRUSH	1		
4	.....	ARM	1		(SERVICED IN AH109390)
5	AH103526	CIRCUIT BOARD	1		
6	03H1813	BOLT	2	-655100	1/4" X 1-3/4"
	12H302	LOCK WASHER	2	-655100	1/4"
	14H786	NUT	2	-655100	1/4"
	03M7280	BOLT	2	655101-	M6 X 45
	12H302	LOCK WASHER	2	655101-	1/4"
	14M7272	NUT	2	655101-	M6
7	AA5607R	SEAL	1		
8	.....	HOUSING	1		(SERVICED IN AH109390)
9	AH109390	CIRCUIT BOX	1		
10	19H1854	CAP SCREW	1		3/8" X 3-3/4"
	E50102	LOCK NUT	1		9.525 MM (3/8")
	19M7812	SCREW	1	655101-	M10 X 100
	A51212	LOCK NUT	1	655101-	
11	AH103906	ARM	1	-575900	PART NO LONGER AVAILABLE
	AH111086	BELLCRANK	1	575901-	
12	34H312	SPRING PIN	1		1/4" X 1"
..	H116160	SEALANT	1		3 OZ. TUBE

# J18

50A SERIES ROW-CROP HEADS

## AUTOMATIC HEIGHT SENSOR ASSEMBLY

(685101- )  
HP8219 -UN-09FEB99



HP8219

KEY	PART NO.	PART NAME	QTY	SERIAL NO.	REMARKS
1	12M7060	WASHER	2		
2	14M7297	NUT	2		M5
3	21M7261	SCREW	2		M5 X 45
4	34H305	SPRING PIN	1		5.563 X 50.800 MM
5	R41076	GROMMET	1		
6	R86457	SUPPORT	1		
7	R111692	SHAFT	1		
8	R112679	SEAL	1		
9	RE69297	SENSOR	1		
10	H156936	BRACKET	1		
11	H166312	ARM	1		
12	P48347	O-RING	2		
13	R26871	SNAP RING	1		

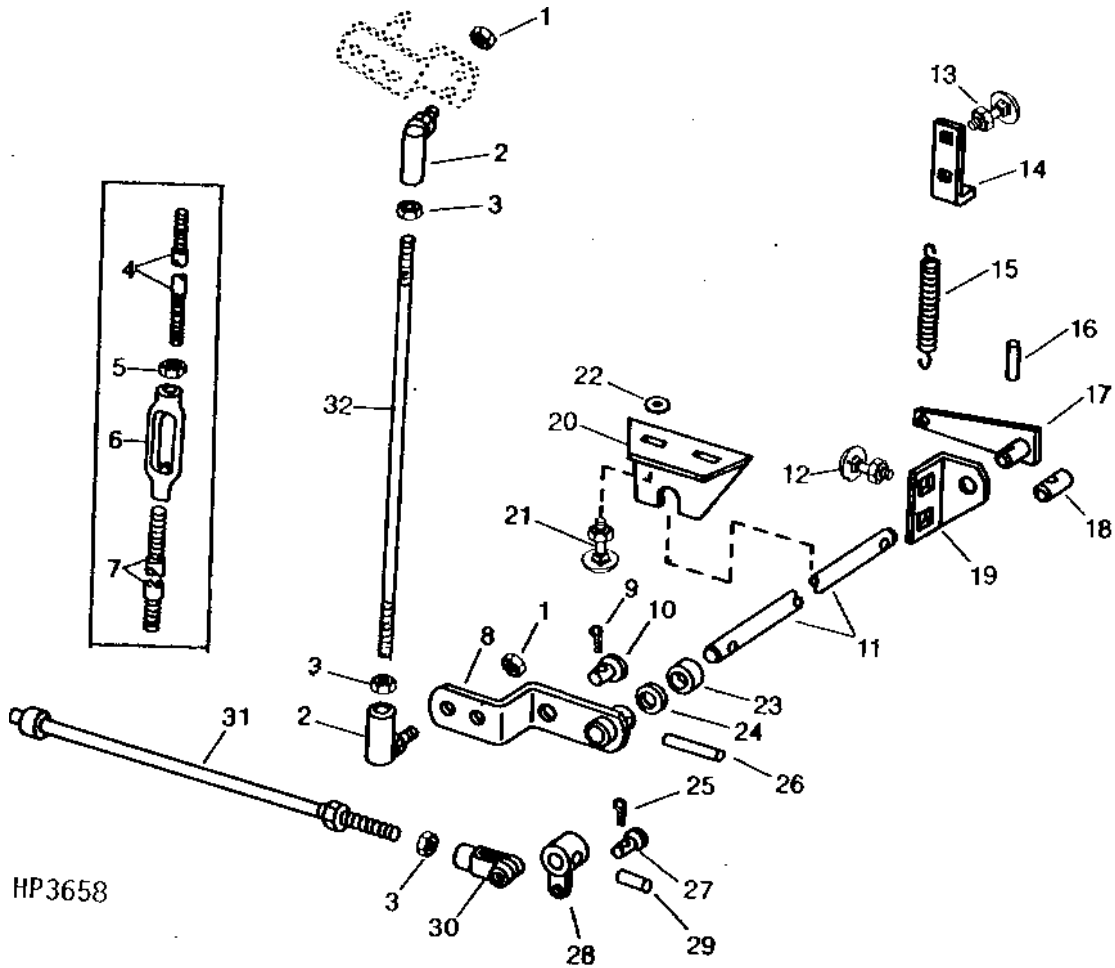
# J19

50A SERIES ROW-CROP HEADS

## HEIGHT SENSING LINKAGE (AUTOMATIC HEADER HEIGHT CONTROL)

(-575900)

HP3658 -UN-01JAN94





**HEIGHT SENSING LINKAGE (AUTOMATIC HEADER HEIGHT CONTROL) - CONTINUED**  
 ( -575900)

KEY	PART NO.	PART NAME	QTY	SERIAL NO.	REMARKS
1	14H846	NUT	2		3/8"
	12H304	LOCK WASHER	2		3/8"
2	AH76556	BALL JOINT	2		
3	14H882	NUT	AR		5/16"
4	H88335	LINK	1	-525350	R.H.
5	14H611	NUT	1	-525350	5/16"
6	H35309	TURNBUCKLE	1	-525350	
7	H88350	LINK	1	-525350	L.H.
8	AH89590	ACTUATOR	1		
9	J16931	SPRING LOCKING PIN	1		
10	H31571	PIN	1		9.525 X 19.050 MM (3/8" X 3/4")
11	H103621	ROD	1		(453A)
	H103624	PIN	1		(653A)
	H103622	ROD	1		(454A) NO LONGER AVAILABLE
	H103627	ROD	1		(853A)
	H103625	PIN	1		15.875 X 5 403.850 MM (5/8" X 212-3/4") (654A)
12	03H1540	BOLT	4		5/16" X 3/4"
	A22698	NUT	4		7.925 MM (5/16")
13	03H1540	BOLT	2		5/16" X 3/4", (653A, 654A, AND 853A)
	A22698	NUT	2		7.925 MM (5/16") (653A, 654A, AND 853A)
14	H103628	BRACKET	1		(653A, 654A, AND 853A)
15	R2577R	SPRING	1		(653A, 654A, AND 853A)
16	34H280	SPRING PIN	1		3/16" X 7/8"
17	AH103412	CRANK	1		(653A, 654A, AND 853A) NO LONGER AVAILABLE
18	H88353	BUSHING	1	-MAR92	(453A AND 454A) (NO LONGER AVAILABLE)
19	H88641	CLIP	2	-MAR92	(NO LONGER AVAILABLE)
20	H107116	CLIP	AR		(4 USED-453A; 5 USED-454A, 653A, 654A; 7 USED-853A)
21	03H1540	BOLT	AR		5/16" X 3/4"
	12H303	LOCK WASHER	AR		5/16"
	14H785	NUT	AR		5/16"
22	24H1136	WASHER	AR		11/32" X 11/16" X 0.065"
23	R66143	WASHER	1		23.012 X 29.007 X 8.255 MM (29/32" X 1.142" X 0.325")
24	24H1413	WASHER	1		57/64" X 1-3/8" X 0.048"
25	11M7081	COTTER PIN	AR		2.500 X 20 MM, (453A,454A-4 USED; 653A,654A-6 USED AND 853A-8 USED)
26	34H286	SPRING PIN	1		3/16" X 1-1/2"
27	H858R	PIN	AR		7.823 X 26.975 MM (0.308" X 1-1/16") (4 USED-453A, 454A; 6 USED-653A, 654A; 8 USED-853A)
28	AH89697	CRANK	AR		(4 USED-453A, 454A; 6 USED-653A, 654A; 8 USED-853A)
29	34H280	SPRING PIN	AR		3/16" X 7/8", (4 USED-453A,454A; 6 USED-653A,654A; 8 USED-853A)
30	P43922	YOKE	AR		(4 USED-453A, 454A; 6 USED-653A, 654A; 8 USED-853A)
31	AH90538	ROD	AR		(4 USED-453A (-610100),454A (-610200); 6 USED-653A (-610300),654A (-610400); 8 USED-853A (-610500) (SUB AH117975)
	AH117975	ROD	AR		(4 USED-453A, 454A; 6 USED-653A, 654A, 655A; 8 USED-853A, 854A; 12 USED-1253A)
32	H104783	STUD	1	525351-	

# J21

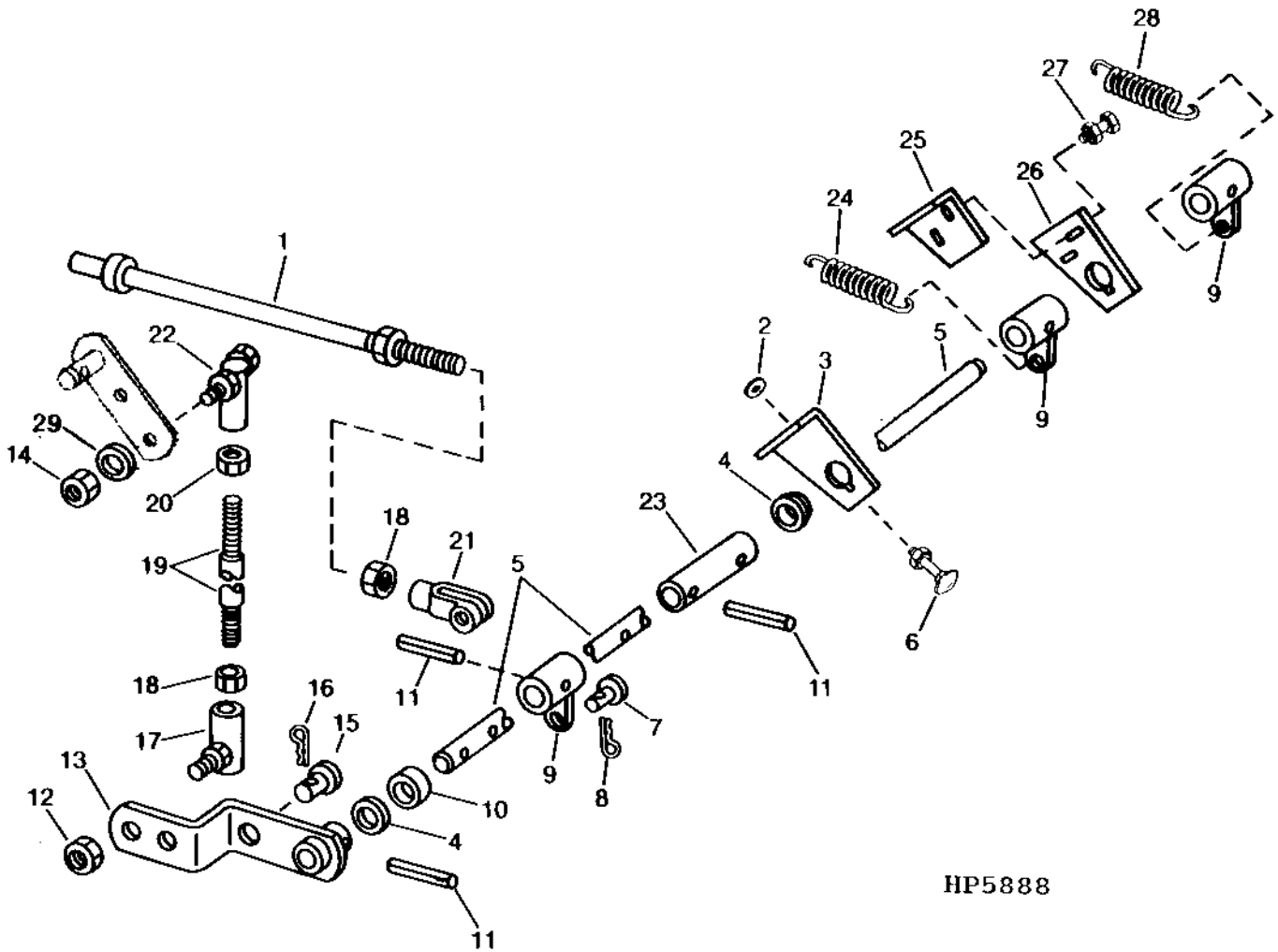
50A SERIES ROW-CROP HEADS

## HEIGHT SENSING LINKAGE (DIAL-A-MATIC HEADER HEIGHT CONTROL)

(575901-685100)

HP5888

-UN-25AUG95



HP5888

**HEIGHT SENSING LINKAGE (DIAL-A-MATIC HEADER HEIGHT CONTROL) - CONTINUED**  
**(575901-685100)**

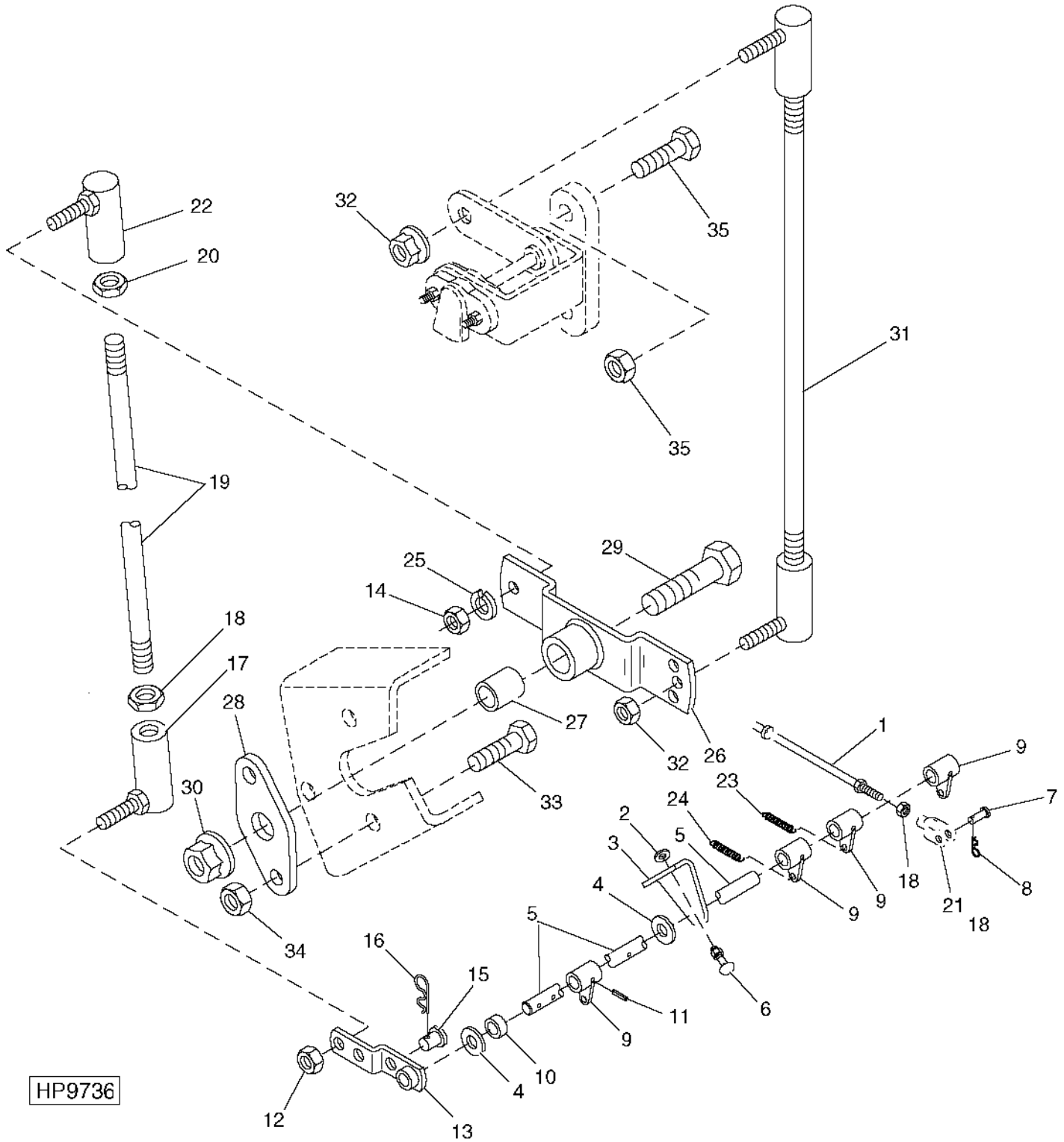
KEY	PART NO.	PART NAME	QTY	SERIAL NO.	REMARKS
1	AH117975	ROD	AR		(SUB FOR AH90538) (ONE PER ROW)
2	24H1136	WASHER	AR		11/32" X 11/16" X 0.065"
3	H112229	CLIP	AR		
4	H112227	WASHER	AR		
5	H112230	ROD	2		R.H. AND L.H. (854A)
	H112231	ROD	2		R.H. AND L.H. (1253A)
	H113286	ROD	1		(453A)
	H113287	ROD	1		(454A)
	H113288	ROD	1		(653A)
	H113289	ROD	1		(654A)
	H115540	ROD	1		(655A)
	H113290	ROD	1		(853A)
6	03H1540	BOLT	AR	-655099	5/16" X 3/4"
	A22698	NUT	AR	-655099	7.925 MM (5/16")
	03M7184	BOLT	AR	655100-	M8 X 20
	14M7298	FLANGE NUT	AR	655100-	M8
7	H858R	PIN	AR		7.823 X 26.975 MM (0.308" X 1-1/16")
8	11M7081	COTTER PIN	AR		2.500 X 20 MM
9	AH110101	CRANK	AR		
10	H112226	SPACER	1		
11	34H77	SPRING PIN	AR		3/16" X 1"
12	12H304	LOCK WASHER	1		3/8"
	14H846	NUT	1		3/8"
13	AH110100	ACTUATOR	1		
14	14H650	NUT	1		7.925 MM (5/16")
15	P42862	PIN	1		9.525 X 22.225 MM (3/8" X 7/8") (SUB FOR N114149) (FOR ADJUSTMENTS)
16	J16931	SPRING LOCKING PIN	1		
17	AH76556	BALL JOINT	1		
18	14H882	NUT	1		5/16"
19	H113374	STUD	1		
20	14H1045	NUT	1		5/16", (L.H.)
21	P43922	YOKE	AR		
22	AT12383	BALL JOINT	1		
23	H112222	BUSHING	1		(854A AND 1253A)
24	R60730	SPRING	AR		
25	H114520	BRACKET	4		(1253A)
26	H118123	BRACKET	4		(1253A)
27	N10212	SELF-LOCKING SCREW	AR	-655099	7.925 X 19.050 MM (5/16" X 3/4") (1253A)
	A22698	NUT	AR	-655099	7.925 MM (5/16") (1253A)
	19M7866	SCREW	AR	655100-	M8 X 20, (1253A)
	14M7298	FLANGE NUT	AR	655100-	M8, (1253A)
28	R79985	SPRING	1		(SUB FOR R76504) (854A AND 1253A)
29	12H303	LOCK WASHER	1		7.938 MM (5/16")

# J23

50A SERIES ROW-CROP HEADS

## AUTOMATIC HEIGHT SENSING LINKAGE

(685101- )  
HP9736 -UN-03MAY00



# J24

50A SERIES ROW-CROP HEADS

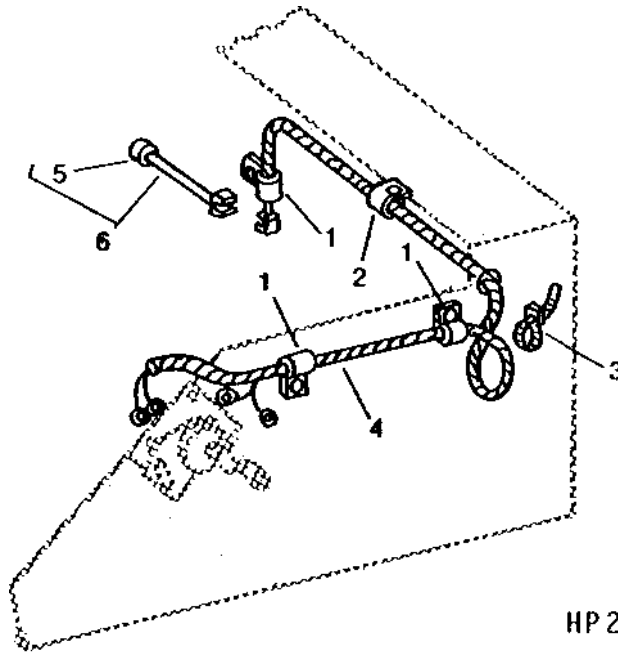
**AUTOMATIC HEIGHT SENSING LINKAGE - CONTINUED**  
(685101- )

KEY	PART NO.	PART NAME	QTY	SERIAL NO.	REMARKS
1	AH117975	ROD	AR		(4 USED-453A, 454A; 6 USED-653A, 654A, 655A; 8 USED-853A, 854A; 12 USED-1253A)
2	24H1136	WASHER	AR		11/32" X 11/16" X 0.065"
3	H112229	CLIP	AR		
4	H112227	WASHER	AR		19.500 X 30 X 8 MM (0.768" X 1.181" X 0.315")
5	H113288	ROD	1		(653A)
	H113290	ROD	1		(853A)
6	03M7184	BOLT	AR		M8 X 20
	14M7298	FLANGE NUT	AR		M8
7	H858R	PIN	AR		7.823 X 26.975 MM (0.308" X 1-1/16")
8	11M7081	COTTER PIN	AR		2.500 X 20 MM
9	AH110101	CRANK	AR		
10	H112226	SPACER	1		
11	34H77	SPRING PIN	AR		3/16" X 1"
12	12H304	LOCK WASHER	1		3/8"
	14H846	NUT	1		3/8"
13	AH110100	ACTUATOR	1		
14	14H650	NUT	1		7.925 MM (5/16")
15	P42862	PIN	1		9.525 X 22.225 MM (3/8" X 7/8")
16	J16931	SPRING LOCKING PIN	1		
17	AH76556	BALL JOINT	1		
18	14H882	NUT	1		5/16"
19	H113374	STUD	1		
20	14H1045	NUT	1		5/16", (L.H.)
21	P43922	YOKE	AR		
22	AT12383	BALL JOINT	1		
23	R60730	SPRING	AR		
24	R79985	SPRING	1		
25	12H303	LOCK WASHER	1		5/16"
26	AH165084	ARM	1		
27	N120831	SPACER	1		
28	H169478	BASE	1		
29	19M7806	SCREW	1		M10 X 50
30	14M7296	FLANGE NUT	1		M10
31	AH159823	LINKAGE	1		
32	14M7397	LOCK NUT	2		M6
33	19M7796	SCREW	2		M6 X 30
34	14M7303	FLANGE NUT	2		M6
35	19M7868	SCREW	2		M8 X 30
	14M7298	FLANGE NUT	2		M8

**WIRING HARNESS (AUTOMATIC HEADER HEIGHT CONTROL)**

(-525350)

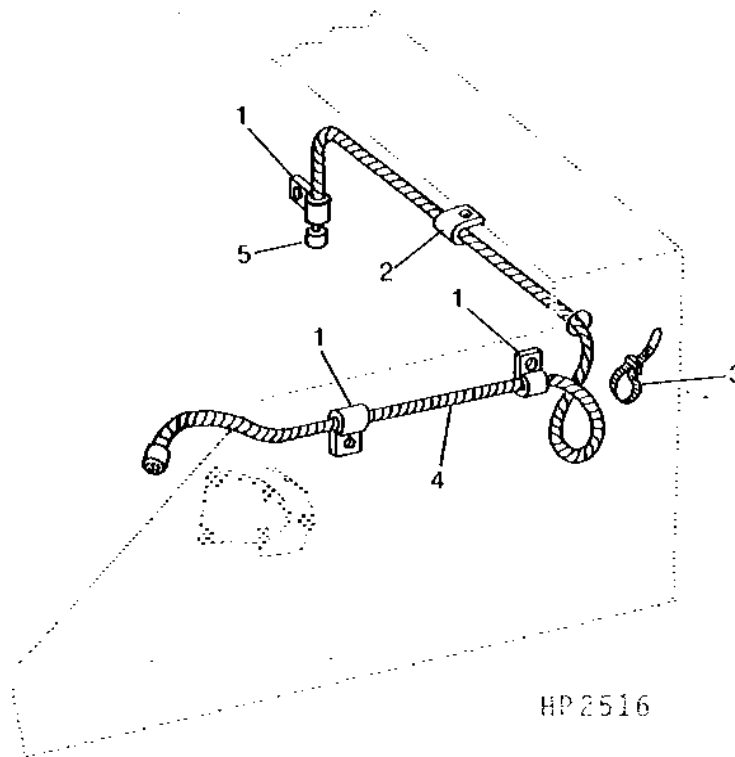
HP2030 -UN-01JAN94



HP 2030

KEY	PART NO.	PART NAME	QTY	SERIAL NO.	REMARKS
1	AH89557	CLIP	3		
2	AH89557	CLIP	AR		(1 USED-453A, 454A; 2 USED-653A, 654A, AND 853A)
3	M66044	TIE BAND	3		
4	AH90716	WIRING HARNESS	1		4242 MM (167") LONG
5	H118422	ELECTRICAL PLUG	1		
	R77460	CONNECTOR	1		
6	AH111348	WIRING HARNESS	1		450 MM (17-3/4") LONG (ADAPTER HARNESS) (USE WITH SEPARATORS EQUIPPED WITH DIAL-A-MATIC HEADER HEIGHT CONTROL) (CONVERSION)

**WIRING HARNESS  
(DIAL-A-MATIC HEADER HEIGHT CONTROL)  
(525351-615400)  
HP2516 -UN-01JAN94**

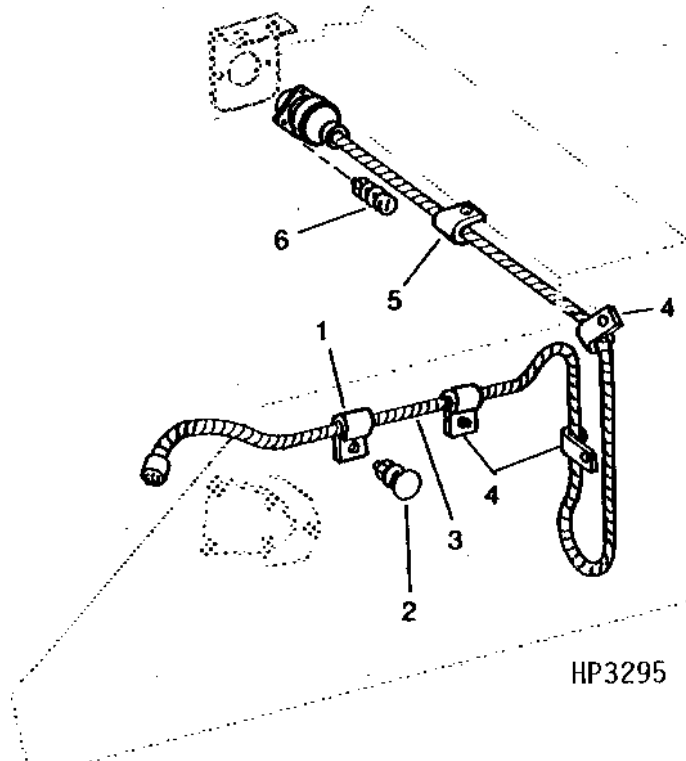


KEY	PART NO.	PART NAME	QTY	SERIAL NO.	REMARKS
1	AH89557	CLIP	3		
2	AH89557	CLIP	AR		(1 USED-453A, 454A; 2 USED-653A, 654A, 655A, 853A, 854A; 3 USED-1253A)
3	M66044	TIE BAND	3		
4	AH109639	WIRING HARNESS	1	-575900	3530 MM (139") LONG, (453A, 454A, AND 653A) (SUB AH130191 AND AH128923)
	AH112060	WIRING HARNESS	1	575901-	
	AH109640	WIRING HARNESS	1	-575900	5740 MM (226") LONG, (654A, 655A AND 853A, 854A, AND 1253A)
	AH108432	WIRING HARNESS	1	575901-	5640 MM (222") LONG, (654A, 655A, 853A AND 1253A)
5	H118422	ELECTRICAL PLUG	1		

**WIRING HARNESS (DIAL-A-MATIC HEADER HEIGHT CONTROL)**

**(615401-640100)**

HP3295 -UN-01JAN94



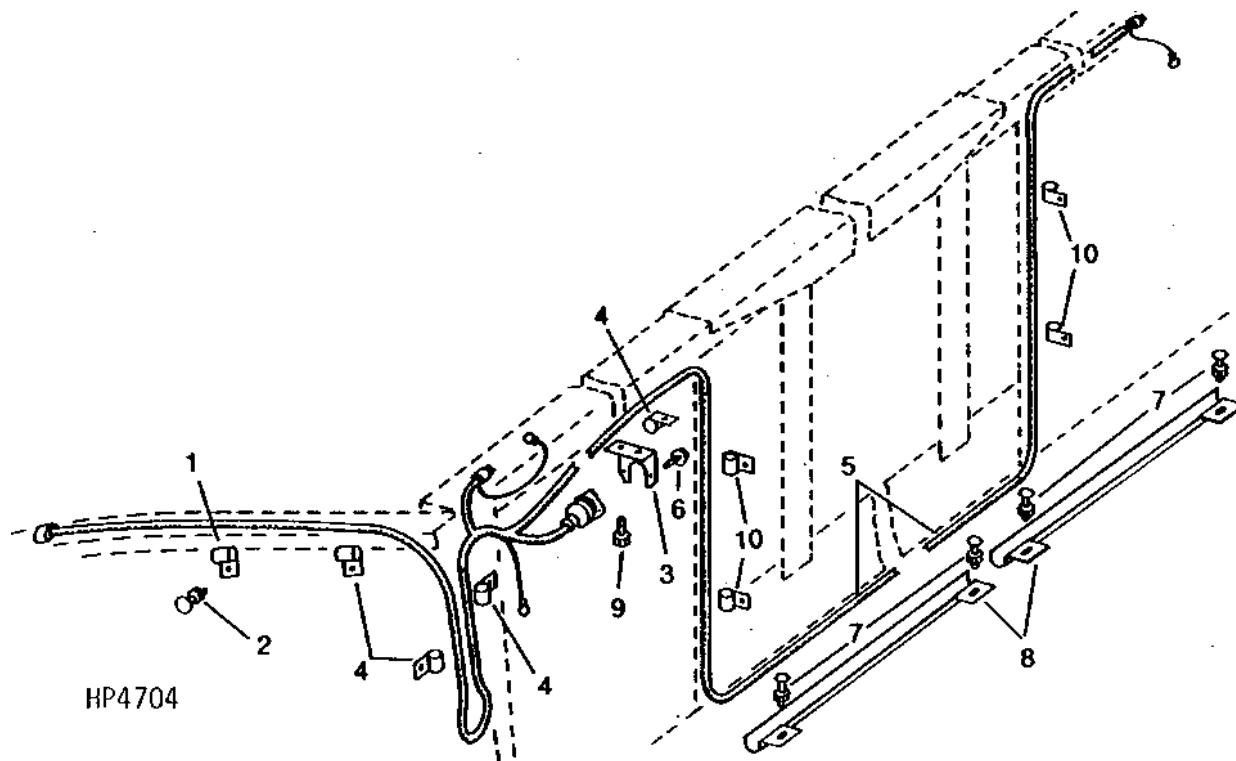
KEY	PART NO.	PART NAME	QTY	SERIAL NO.	REMARKS
1	AH89557	CLIP	1		
2	03H1709	BOLT	1		5/16" X 1"
	A22698	NUT	1		7.925 MM (5/16")
3	AH130191	WIRING HARNESS	1	-640100	2900 MM (114") LONG (454A, 653A, 654A, 655A AND 853A) (SUB AH134220 OR AH134221)
	AH130192	WIRING HARNESS	1		4425 MM (174") LONG (854A AND 1253A)
	AH134220	WIRING HARNESS	1		(SUB AH144296)
	AH144296	WIRING HARNESS	1		
4	AH89557	CLIP	AR		(4 USED-454A; 3 USED-653A AND 854A; 2 USED-654A, 655A, 853A, 1253A)
5	AH89557	CLIP	AR		(1 USED-454A; 2 USED-653A, 654A, 655A, 853A AND 854A; 3 USED-1253A) (USE SELF TAPPERS IN TOP BEAM)
6	21M7284	SCREW	2		M3 X 16
	12H353	LOCK WASHER	2		0.138"
	14M7196	NUT	2		M3



# K3

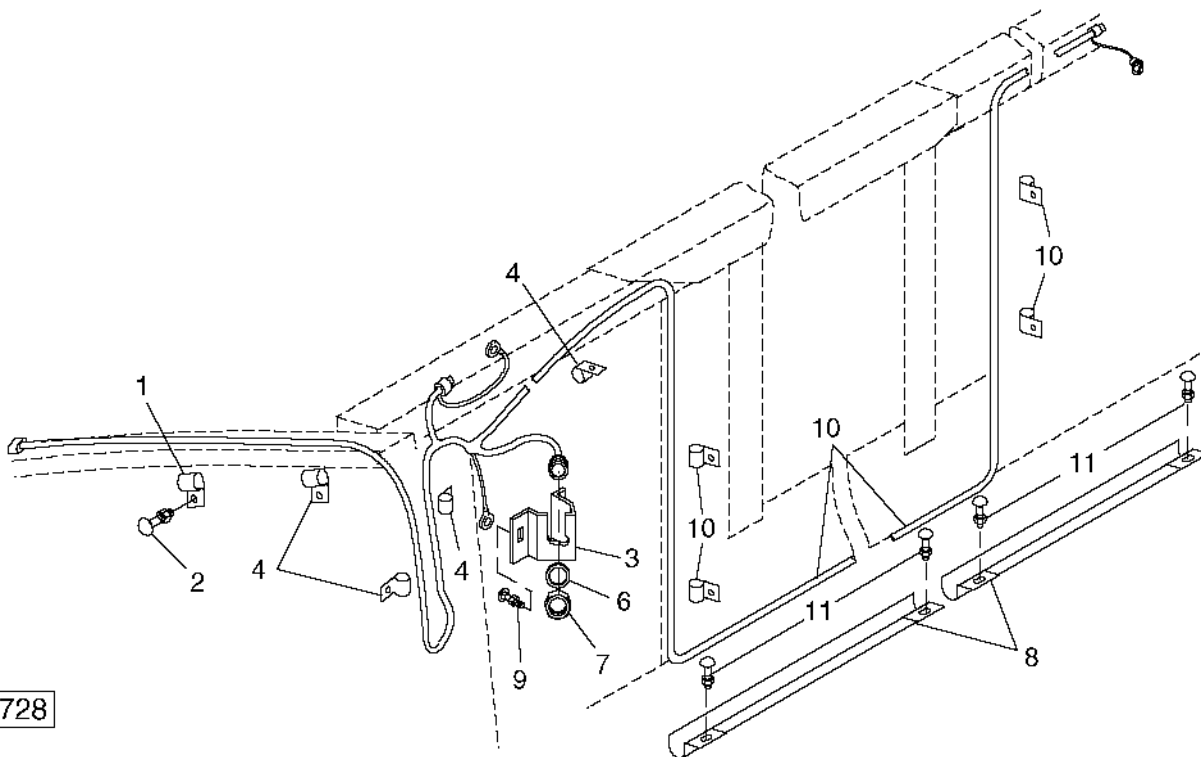
50A SERIES ROW-CROP HEADS

**WIRING HARNESS (DIAL-A-MATIC)**  
**(640101-685100)**  
**(WITH MARKER LIGHT)**  
 HP4704 -UN-01JAN94



KEY	PART NO.	PART NAME	QTY	SERIAL NO.	REMARKS
1	AH89557	CLIP	AR		
2	03H1709	BOLT	1	-655100	5/16" X 1"
	A22698	NUT	1	-655100	5/16"
	03M7185	BOLT	1	655101-	M8 X 25
	14M7296	FLANGE NUT	1	655101-	M10
3	H136893	PLATE	1		
4	AH89557	CLIP	AR		(USE EXISTING HARDWARE)
5	AH144296	WIRING HARNESS	1		(454A, 653A, 654A) SUB FOR AH134220
	AH144297	WIRING HARNESS	1		(853) SUB FOR AH134221
6	37M7066	SCREW	2		
7	03H1765	BOLT	4	-655100	3/8" X 3/4"
	14H812	NUT	4	-655100	3/8"
	03M7190	BOLT	4	655101-	M10 X 20
	14M7296	FLANGE NUT	4	655101-	M10
8	H137031	SHIELD	2		(OVER MARKER LIGHT HARNESS UNDER FLOORSHEET)
9	H65108	SCREW	2	-655100	5/16" X 1/2"
	37M7083	SCREW	2	655101-	
10	AH114109	CLAMP	4		
..	AH164792	WIRING HARNESS	1		ADAPTER 16 PIN TO 31 PIN

**WIRING HARNESS (DIAL-A-MATIC)  
(WITH MARKER LIGHT) (685101- )**  
HP9728 -UN-20APR00



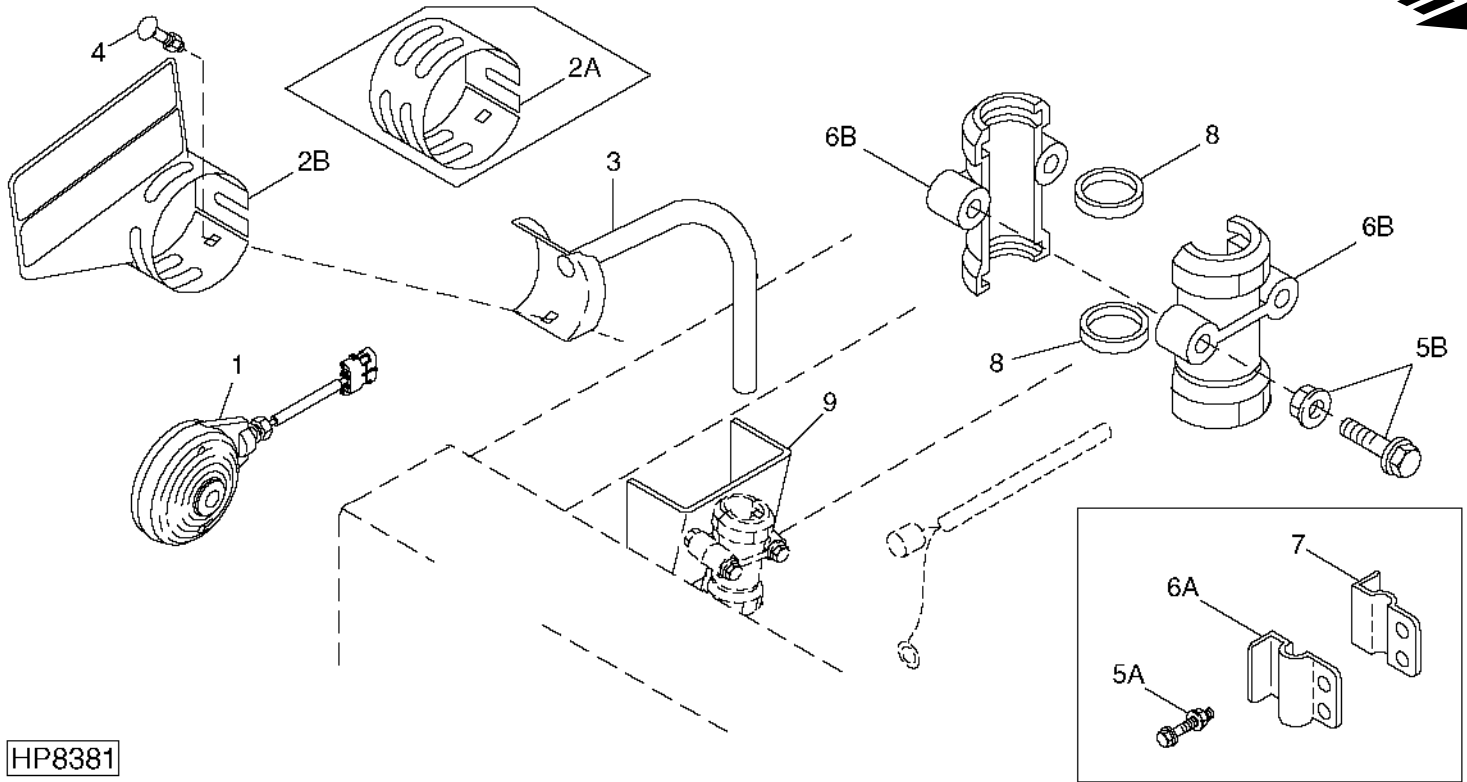
KEY	PART NO.	PART NAME	QTY	SERIAL NO.	REMARKS
1	AH89557	CLIP	AR		
2	03M7185	BOLT	1	M8 X 25	
	14M7296	FLANGE NUT	1	M10	
3	H168828	BRACKET	1		
4	AH89557	CLIP	AR		(USE EXISTING HARDWARE)
5	AH161717	WIRING HARNESS	1		
6	57M7765	LOCK WASHER	1		
7	57M8035	NUT	1		
8	H137031	SHIELD	2		(OVER MARKER LIGHT HARNESS UNDER FLOORSHEET)
9	03M7184	BOLT	2	M8 X 20	
	14M7298	FLANGE NUT	2	M8	
10	AH114109	CLAMP	4		
11	03M7190	BOLT	4	M10 X 20	
	14M7296	FLANGE NUT	4	M10	
..	AH164792	WIRING HARNESS	1		ADAPTOR 16 PIN TO 31 PIN

BH81378 (COMPLETE GOODS) MARKER LIGHT CONVERSION

# K5

**MARKER LIGHTS**

HP8381 -UN-12AUG99



HP8381

KEY	PART NO.	PART NAME	QTY	SERIAL NO.	REMARKS
1	AH164497	LAMP	2		
	R78053	PIN CONTACT CONNECTOR BODY	2		
	R78058	PIN CONTACT	4		
	R78059	ELECTRICAL PLUG	4		
2A	H143317	SHIELD	2	-XXXXXX	(653A, -685200; 853A, -685400)
2B	AH163087	SHIELD	1		R.H. (653A, 685201-; 853A, 685401-)
	AH163088	SHIELD	1		L.H. (653A, 685201-; 853A, 685401-)
	JD5920	REFLECTOR	2		(RED)
	JD5921	REFLECTOR	2		(YELLOW)
	JD5922	REFLECTOR	2		(ORANGE)
3	AH136653	TUBE	2		(SUB AH155215 AND AH155216)
	AH155215	BRACKET	1		R.H. MARKER LIGHT
	AH155216	BRACKET	1		L.H. MARKER LIGHT
4	03M7183	BOLT	4		M8 X 16
	14M7298	FLANGE NUT	4		M8
5A	19M7867	SCREW	4		M8 X 25
	14M7298	FLANGE NUT	4		M8
5B	19M7809	SCREW	4		M10 X 70
	14M7296	FLANGE NUT	4		M10
6A	H139073	HALF CLAMP	2		R.H. (WELDED)
6B	H161618	HOUSING	4		
7	H139072	HALF CLAMP	2		L.H. (WELDED)
8	H136110	ISOLATOR	4		
9	AH155397	BRACKET	2		(WELDED)

BH81374 (COMPLETE GOODS) MARKER LIGHTS

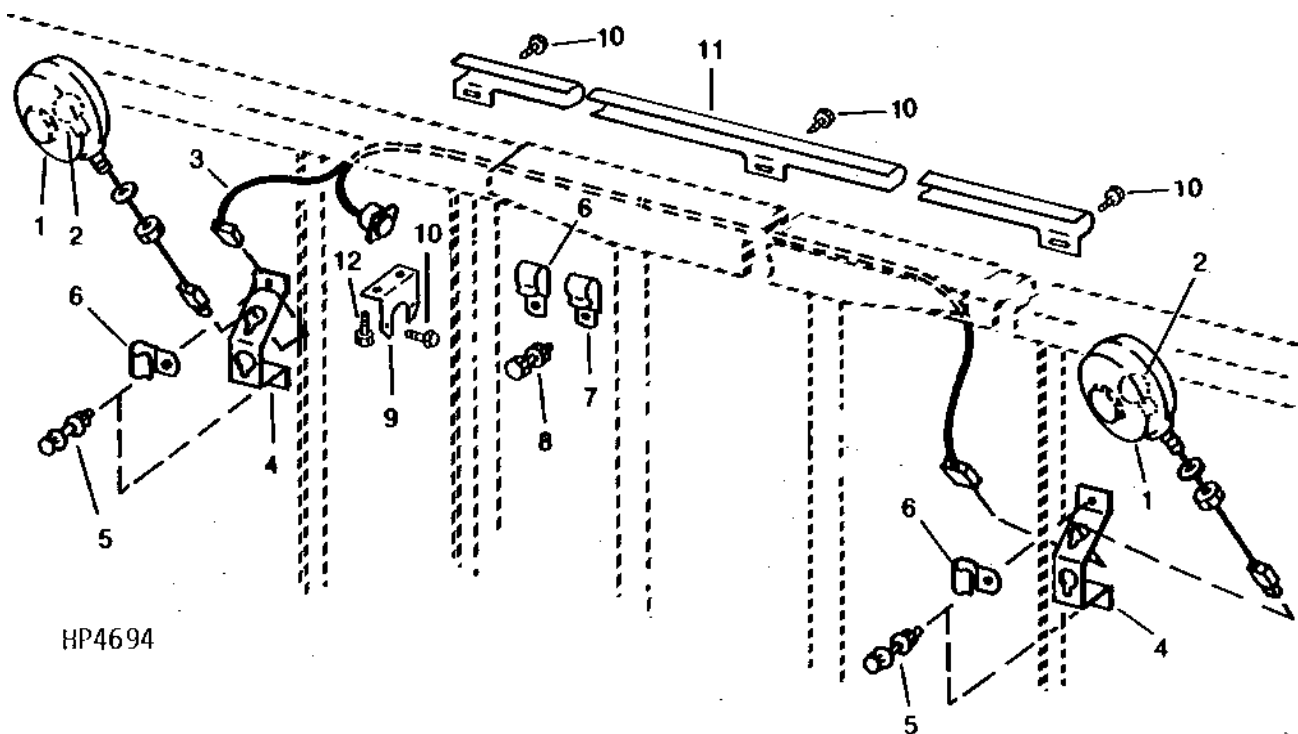
# K6

50A SERIES ROW-CROP HEADS

## STUBBLE LIGHTS

(-655099)

HP4694 -UN-01JAN94



HP4694

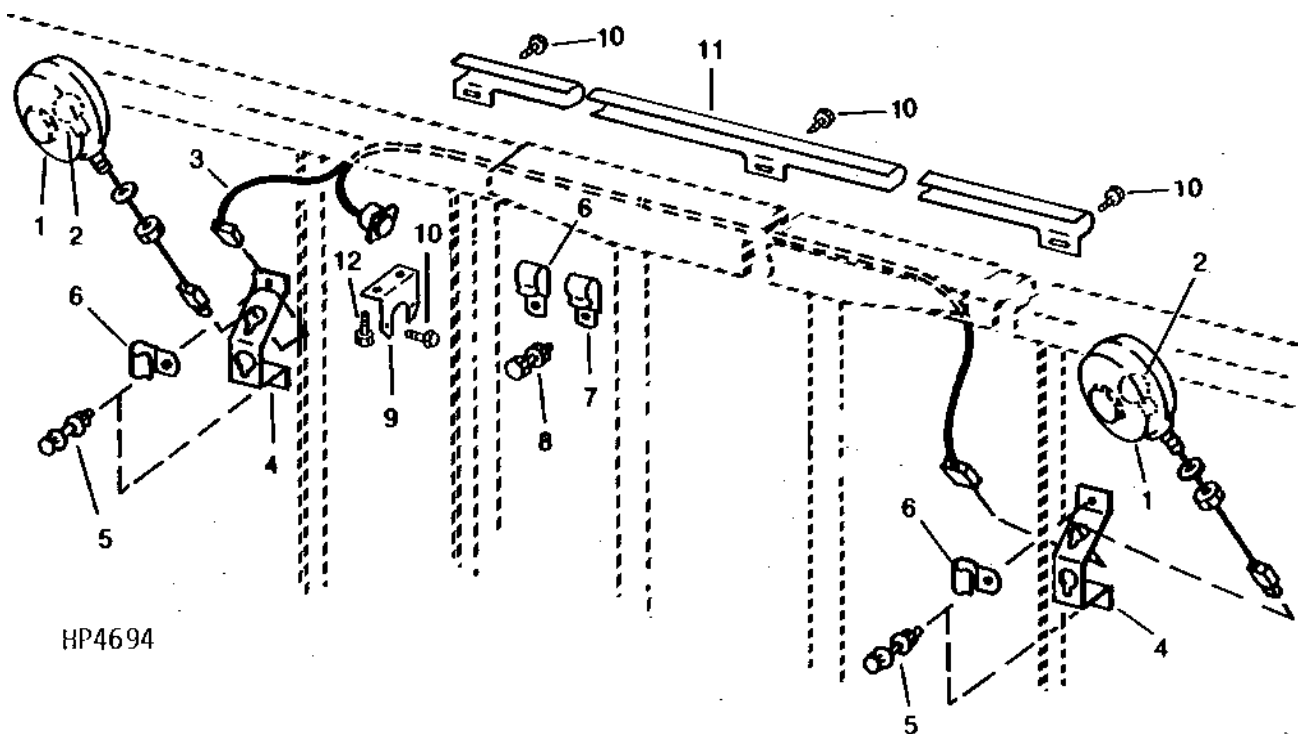
KEY	PART NO.	PART NAME	QTY	SERIAL NO.	REMARKS
1	AH164499	LAMP	2		
	R78061	PIN CONTACT	2		
2	AD2062R	BULB	2		
3	AH134252	WIRING HARNESS	1		
	R78060	SOCKET CONTACT	2		
4	H137423	BRACKET	2		
5	19M7775	SCREW	4	M6 X 16	
	14M7303	FLANGE NUT	2	M6	
6	AH89557	CLIP	2		
7	AH90990	CLIP	2		
8	19M7866	SCREW	4	M8 X 20	
	14M7298	FLANGE NUT	4	M8	
9	H136893	PLATE	1		(USE IF NO PREVIOUS HARNESS)
10	37M7083	SCREW	5		M8 X 12
11	H132700	SHIELD	1		(USE IF NO PREVIOUS HARNESS)
12	H65108	SCREW	2		5/16" X 1/2"
..	AH106612	RELAY	1	-660100	(INSTALL IN LOCATION K12 OF POWER DISTRIBUTION CIRCUIT BOARD)
..	AH134204	WIRING HARNESS	1		(GROUND WIRE)(USE WITH ADDED CONNECTOR)
..	H140664	CONNECTOR	1		(USE IF NO HARNESS ON PLATFORM) (16 PIN)
..	37M7066	SCREW	2		(THRU CONNECTOR INTO BRACKET)

BH81264 (COMPLETE GOODS) STUBBLE LIGHTS

# K7

## STUBBLE LIGHTS

(655100- )  
HP4694 -UN-01JAN94



HP4694

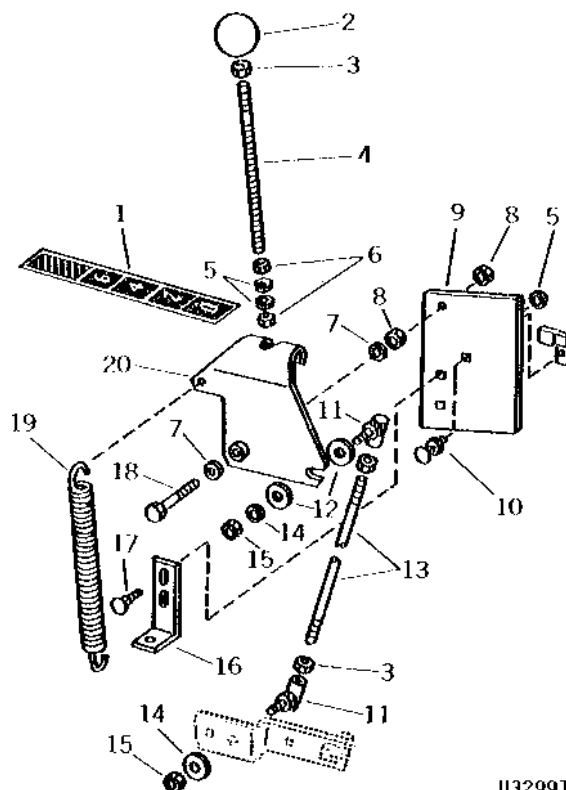
KEY	PART NO.	PART NAME	QTY	SERIAL NO.	REMARKS
1	AH164499	LAMP	2		
	R78061	PIN CONTACT	2		
2	AD2062R	BULB	2		
3	AH134252	WIRING HARNESS	1		
	R78060	SOCKET CONTACT	2		
4	H137423	BRACKET	2		
5	19M7775	SCREW	4	M6 X 16	
	14M7303	FLANGE NUT	2	M6	
6	AH89557	CLIP	2		
7	AH90990	CLIP	2		
8	19M7866	SCREW	4	M8 X 20	
	14M7298	FLANGE NUT	4	M8	
9	H136893	PLATE	1		(USE IF NO PREVIOUS HARNESS)
10	37M7083	SCREW	5	M8 X 12	
11	H132700	SHIELD	1		(USE IF NO PREVIOUS HARNESS)
12	37M7083	SCREW	2	M8 X 12	
..	AH106612	RELAY	1		(INSTALL IN LOCATION K12 OF POWER DISTRIBUTION CIRCUIT BOARD)
..	AH134204	WIRING HARNESS	1		(GROUND WIRE)(USE WITH ADDED CONNECTOR)
..	H140664	CONNECTOR	1		(USE IF NO HARNESS ON PLATFORM) (16 PIN)
..	37M7066	SCREW	2		(THRU CONNECTOR INTO BRACKET)
..	H151036	PIN CONTACT CONNECTOR BODY	1		(TO SINGLE PIN FOR MARKER LIGHT HARNESS)
BH81264 (COMPLETE GOODS) STUBBLE LIGHTS (FOR HEADS BUILT 1991 AND UP)					UP USED ON COMBINES 1991 AND UP

# K8

50A SERIES ROW-CROP HEADS

## HEIGHT RANGE INDICATOR (AUTOMATIC HEADER HEIGHT CONTROL & DIAL-A-MATIC HEADER HEIGHT CONTROL)

(-655099)  
H32991 -UN-01JAN94



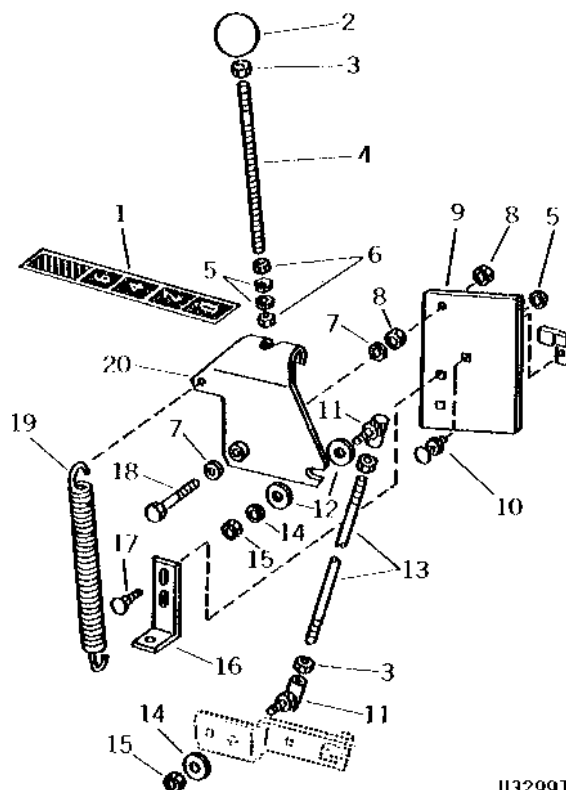
KEY	PART NO.	PART NAME	QTY	SERIAL NO.	REMARKS
1	.....	DECAL	1		(FOR SERVICE, USE AH100289 KIT)
2	H89561	KNOB	1		
3	14H882	NUT	3	5/16"	
4	H93173	STUD	1		
5	24H1136	WASHER	4	11/32" X 11/16" X 0.065"	
6	14H650	NUT	2	5/16"	
7	24H1682	WASHER	2	13/32" X 7/8" X 0.120"	
8	14H812	NUT	2	3/8"	
9	H91781	PLATE	1		
10	03H1709	BOLT	1	5/16" X 1"	
	12H303	LOCK WASHER	1	5/16"	
	14H785	NUT	1	5/16"	
11	AH76556	BALL JOINT	2		
12	24H1306	WASHER	2	13/32" X 1" X 0.035"	
13	H91779	STUD	1		
14	12H304	LOCK WASHER	2	3/8"	
15	14H846	NUT	2	3/8"	
16	H103628	BRACKET	1		
17	03H1709	BOLT	2	7.925 X 25.400 MM	
	E55662	FLANGE NUT	2	9.525 MM	
	19H1944	CAP SCREW	1	3/8" X 2-3/4"	
19	R2577R	SPRING	1	-525350	(AUTOMATIC HEADER HEIGHT CONTROL)
	R50575	EXTENSION SPRING	1	525351-526280	(SUB R76504)
	R76504	SPRING	1	-610000	(453A, 655A AND 1253A) (SUB R79985)
	R76504	SPRING	1	-610000	(454A) (SUB R79985)
	R76504	SPRING	1	-610000	(653A) (SUB R79985)
	R76504	SPRING	1	-610000	(654A) (SUB R79985)
	R76504	SPRING	1	-610000	(853A) (SUB R79985)
	R76504	SPRING	1	-600000	(854A) (SUB R79985)
	R76504	SPRING	1	-610750	(1253A) (SUB R79985)
	R79985	SPRING	1		(DIAL-A-MATIC HEADER HEIGHT CONTROL)
					(454A,653A,654A,655A,853A,854A AND 1253A)
20	AH92500	CRANK	1		

# K9

50A SERIES ROW-CROP HEADS

## HEIGHT RANGE INDICATOR (AUTOMATIC HEADER HEIGHT CONTROL & DIAL-A-MATIC HEADER HEIGHT CONTROL)

(655100- )  
H32991 -UN-01JAN94



KEY	PART NO.	PART NAME	QTY	SERIAL NO.	REMARKS
1	.....	DECAL	1		(FOR SERVICE, USE AH100289 KIT)
2	H89561	KNOB	1		
3	14H882	NUT	3	5/16"	
4	H93173	STUD	1		
5	24H1136	WASHER	4	11/32" X 11/16" X 0.065"	
6	14H650	NUT	2	5/16"	
7	24H1682	WASHER	2	13/32" X 7/8" X 0.120"	
8	14H812	NUT	2	3/8"	
9	H91781	PLATE	1		
10	03H1709	BOLT	1	5/16" X 1"	
	12H303	LOCK WASHER	1	5/16"	
	14H785	NUT	1	5/16"	
11	AH76556	BALL JOINT	2		
12	24H1306	WASHER	2	13/32" X 1" X 0.035"	
13	H91779	STUD	1		
14	12H304	LOCK WASHER	2	3/8"	
15	14H846	NUT	2	3/8"	
16	H103628	BRACKET	1		
17	03M7185	BOLT	2	M8 X 25	
	14M7298	FLANGE NUT	2	M8	
	19H1944	CAP SCREW	1	3/8" X 2-3/4"	
18	R79985	SPRING	1		(DIAL-A-MATIC HEADER HEIGHT CONTROL) (454A,653A,654A,655A,853A,854A AND 1253A)
19	R79985	SPRING	1		
20	AH92500	CRANK	1		

# K10

50A SERIES ROW-CROP HEADS

## METRIC KEY STOCK KIT

KEY	PART NO.	PART NAME	QTY	SERIAL NO.	REMARKS
..	.....	SHAFT KEY	3		5 X 305MM SQUARE (IN AH141142 KEY STOCK KIT) (CUT FROM H150267)
..	.....	SHAFT KEY	3		6 X 305MM SQUARE (IN AH141142 KEY STOCK KIT) (CUT FROM H150268)
..	.....	SHAFT KEY	1		8 X 305MM SQUARE (IN AH141142 KEY STOCK KIT) (CUT FROM H150275)
..	.....	SHAFT KEY	2		8 X 7 X 305MM RECTANGULAR (IN AH141142 KEY STOCK KIT) (CUT FROM H150269)
..	.....	SHAFT KEY	1		10 X 8 X 305 MM RECTANGULAR (IN AH141142 KEY STOCK KIT) (CUT FROM H150270)
..	.....	SHAFT KEY	1		12 X 8 X 305MM RECTANGULAR (IN AH141142 KEY STOCK KIT) (CUT FROM H150271)
..	.....	SHAFT KEY	1		14 X 8 X 305MM RECTANGULAR (IN AH141142 KEY STOCK KIT) (CUT FROM H150272)
..	AH141142	SHAFT KEY	1		



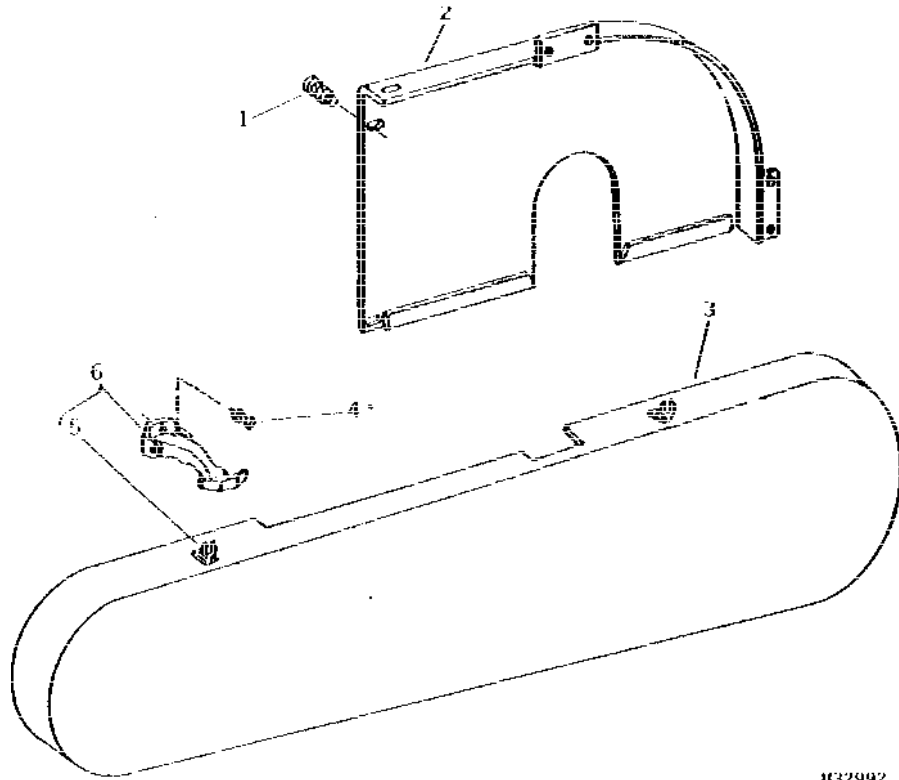
# K11

50A SERIES ROW-CROP HEADS

**ROW-CROP DRIVE SHIELDS**

(-575900)

H32992 -UN-01JAN94



H32992

KEY	PART NO.	PART NAME	QTY	SERIAL NO.	REMARKS
1	03H1540	BOLT	6	5/16" X 3/4"	
	A22698	NUT	10	7.925 MM (5/16")	
2	AH90205	SHIELD	1	AUGER DRIVE	
3	AH102687	SHIELD	1	R.H., ROW UNIT DRIVE, (SUB AH114487)	
	AH102688	SHIELD	1	L.H., ROW UNIT DRIVE (653A, 654A, 655A AND 853A) (SUB AH114488)	
4	21H1372	SCREW	AR	1/8" X 3/8"	
	12H338	LOCK WASHER	AR	1/8"	
	14H602	NUT	AR	1/8"	
5	.....	LATCH	AR	(2 USED-453A, 454A; 4 USED-653A, 654A, 655A AND 853A)	
6	AH101373	LATCH	AR	(2 USED-453A, 454A; 4 USED-653A, 654A, 655A AND 853A)	

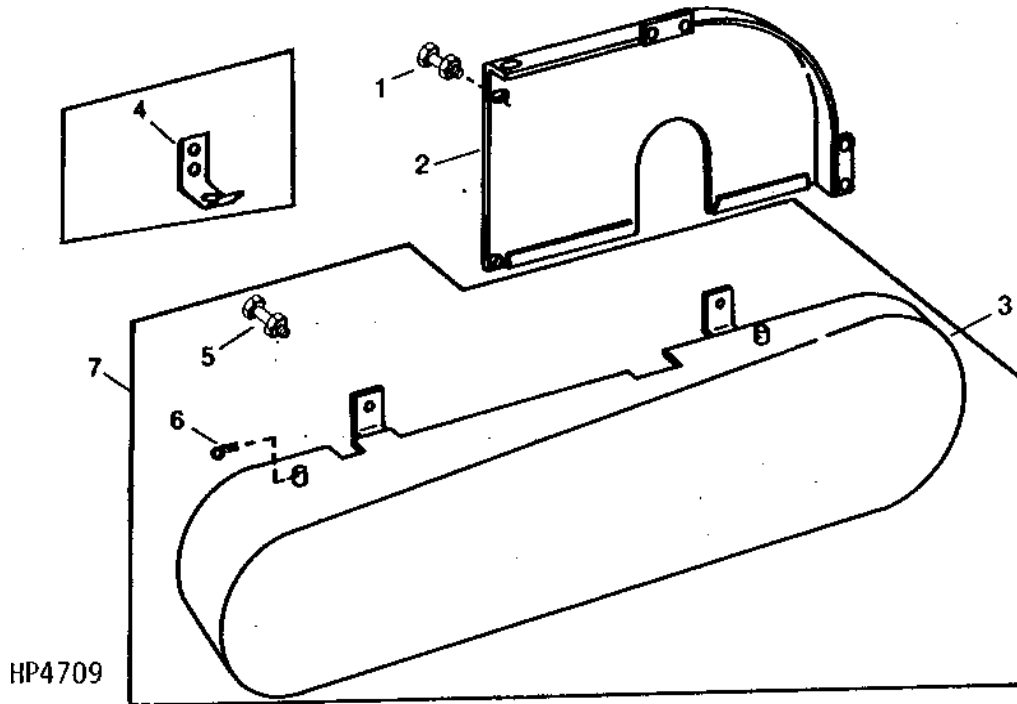
# K12

50A SERIES ROW-CROP HEADS

## ROW-CROP DRIVE SHIELDS

(575901-655099)

HP4709 -UN-01JAN94



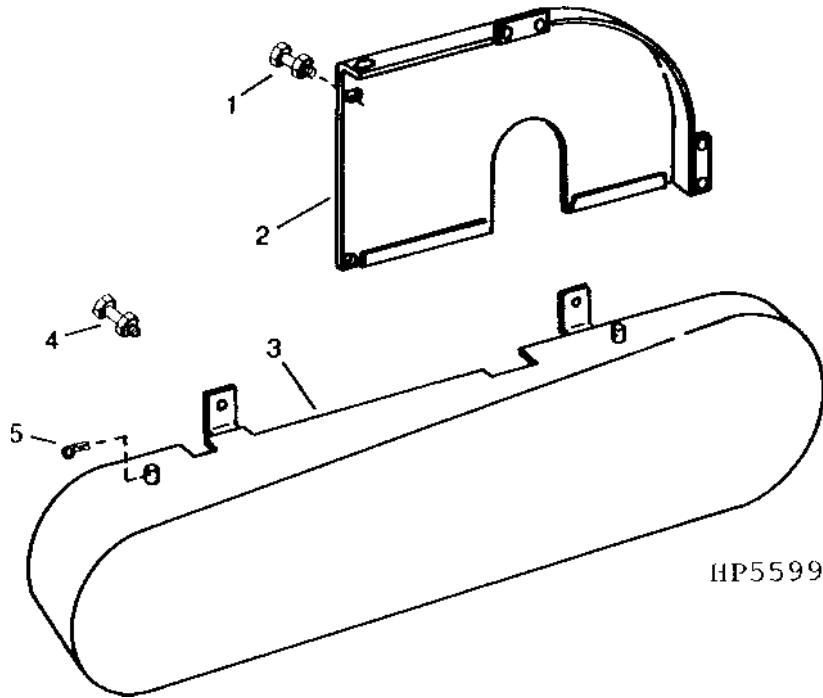
KEY	PART NO.	PART NAME	QTY	SERIAL NO.	REMARKS
1	03H1540	BOLT	6		5/16" X 3/4", (453A, -610100;454A, -610200;653A, -610300; 654A, -610400;655A, -610450;853A, -610500; 854A, -610550;1253A, -610600)
	A22698	NUT	10		7.925 MM (5/16") (453A, -610100;454A, -610200;653A, -610300; 654A, -610400;655A, -610450;853A, -610500; 854A, -610550;1253A, -610600)
	03H1540	BOLT	4		5/16" X 3/4", (453A,610101-;454A,610201-;653A,610301- ; 654A,610401-;655A,610451- ;853A,610501- ; 854A,610551-;1253A,610601-)
	A22698	NUT	8		7.925 MM (5/16") (453A,610101- ;454A,610201-;653A,610301 ; 654A,610401- ;655A,610451-;853A,610501- ; 854A,610551- ;1253A,610601-)
	N10212	SELF-LOCKING SCREW	3		(453A,610101- ;454A,610201-;653A,610301- ; 654A,610401- ;655A,610451- ;853A,610501- ; 854A,610551- ;1253A,610601- )
2	AH90205	SHIELD	1		AUGER DRIVE
3	AH110841	SHIELD	1	-640100	R.H., ROW UNIT DRIVE, (SUB AH133702)
	AH133702	SHIELD	1		R.H., ROW UNIT DRIVE (454A, 653A, 654, 853)
	AH110842	SHIELD	1	-640100	L.H., ROW UNIT DRIVE (653A, 654A, 655A, 853A, 854A AND 1253A) (SUB AH133703)
	AH133703	SHIELD	1		L.H., ROW UNIT DRIVE (454A, 653A, 654A, 853A)
4	H113071	CLIP	AR	-640100	(2 USED-453A, 454A; 4 USED-653A, 654A, 655A, 853A, 854A AND 1253A)
5	N10216	SELF-LOCKING SCREW	AR	-640100	
	N10217	LOCK NUT	AR	-640100	
	19H1919	CAP SCREW	4		1/4" X 5/8"
	M40333	LOCK NUT	4		1/4"
6	M40461	SPRING LOCKING PIN	AR		
7	AH114487	SHIELD	1	-620100	R.H. ROW UNIT DRIVE, (SUB AH110841, (2) H113071, (4) N10216, (4) N10217 AND (2) M40461)
	AH114488	SHIELD	1	-620100	L.H. ROW UNIT DRIVE, (SUB AH110842, (2) H113071, (4) N10216, (4) N10217 AND (2) M40461)

# K13

50A SERIES ROW-CROP HEADS

**ROW-CROP DRIVE SHIELDS**

(655100- )  
 HP5599 -UN-01JAN94



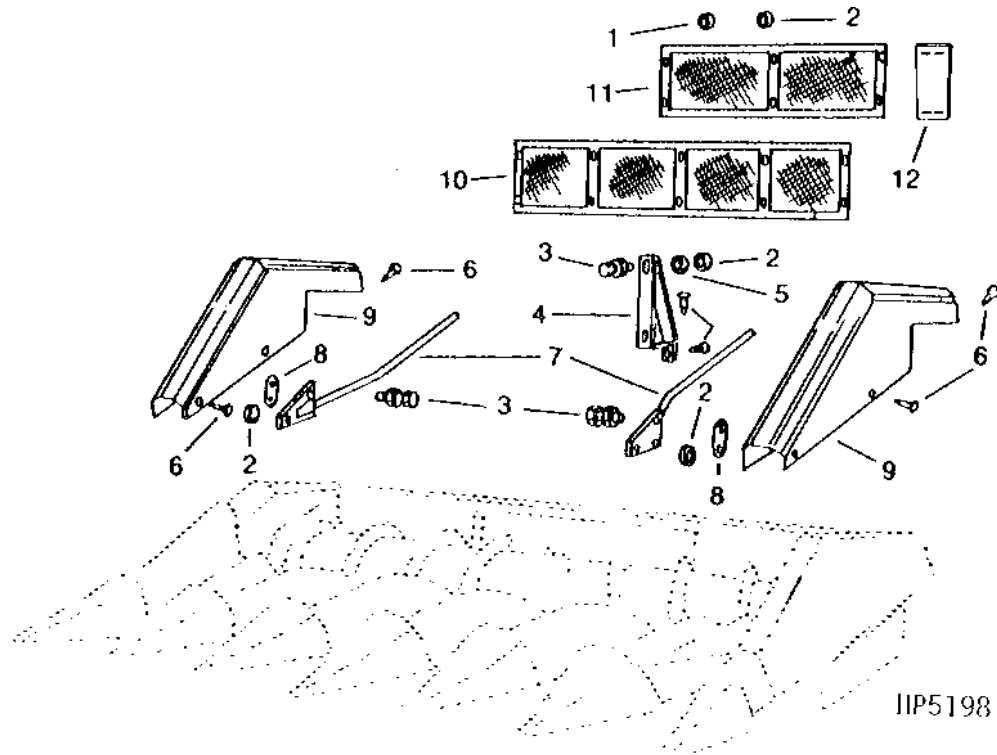
KEY	PART NO.	PART NAME	QTY	SERIAL NO.	REMARKS
1	19M7866	SCREW	3	M8 X 20	
	14M7298	FLANGE NUT	3	M8	
2	AH90205	SHIELD	1	AUGER DRIVE	
3	AH133702	SHIELD	1	R.H., ROW UNIT DRIVE (454A, 653A, 654A, 853A)	
	AH133703	SHIELD	1	L.H., ROW UNIT DRIVE (454A, 653A, 654A, 853A)	
4	19M7775	SCREW	4	M6 X 16	
	14M7272	NUT	4	M6	
5	M40461	SPRING LOCKING PIN	AR		

# K14

50A SERIES ROW-CROP HEADS

## SUNFLOWER ATTACHMENT

(-655099)  
HP5198 -UN-01JAN94



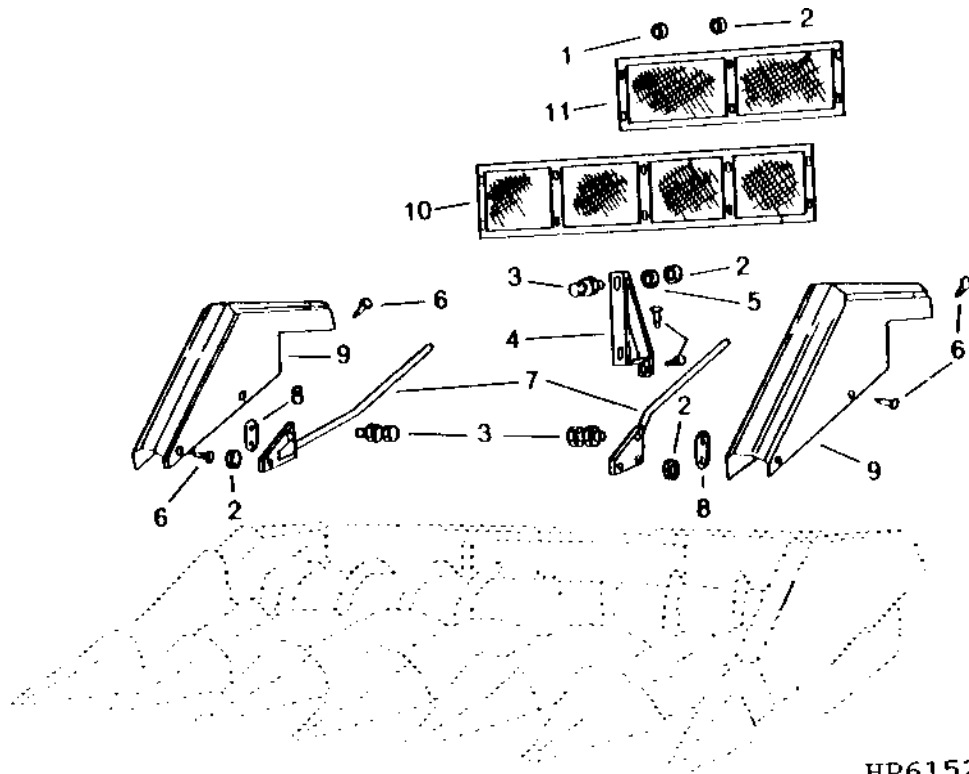
KEY	PART NO.	PART NAME	QTY	SERIAL NO.	REMARKS
1	24H1788	WASHER	4	17/32" X 1-1/8" X 0.060"	
2	24H1136	WASHER	AR	11/32" X 11/16" X 0.065"	
3	03H1709	BOLT	AR	5/16" X 1", (12 USED-453A AND 454A; 16 USED-653A, 654A, 655A, AND 853A; 22 USED-854A AND 1253A)	
	12H303	LOCK WASHER	AR	5/16", (12 USED-453A AND 454A; 16 USED-653A, 654A, 655A AND 853A; 22 USED-854A AND 1253A)	
	14H785	NUT	AR	5/16", (12 USED-453A AND 454A; 16 USED-653A, 654A, 655A AND 853A; 22 USED-854A AND 1253A)	
4	H99229	SUPPORT	AR	(3 USED-453A; 5 USED-454A, 653A, 654A, 655A AND 853A; 8 USED-854A AND 1253A)	
5	24H1621	WASHER	2	11/32" X 1" X 0.220", (454A, 653A, 654A, 655A AND 853A)	
6	H76139	SCREW	AR	7.938 X 19.050 MM (5/16" X 3/4") SELF-TAPPING ROD	
7	AH99718	DEFLECTOR	2		
8	N12909	STRAP	2		
9	AH94750	SHIELD	2		
10	AH97860	DEFLECTOR	AR	1 USED-453A, 454A, 653A, 654A AND 853A; 2 USED-854A AND 1253A)	
11	AH97861	DEFLECTOR	2	(454A, 653A, 654A, 655A AND 853A)	
	AH108542	DEFLECTOR	2	(854A AND 1253A)	
12	H110031	BRACKET	1	-625600 (854A AND 1253A)	

# K15

50A SERIES ROW-CROP HEADS

## SUNFLOWER ATTACHMENT

(655100- )  
HP6152 -UN-28AUG95



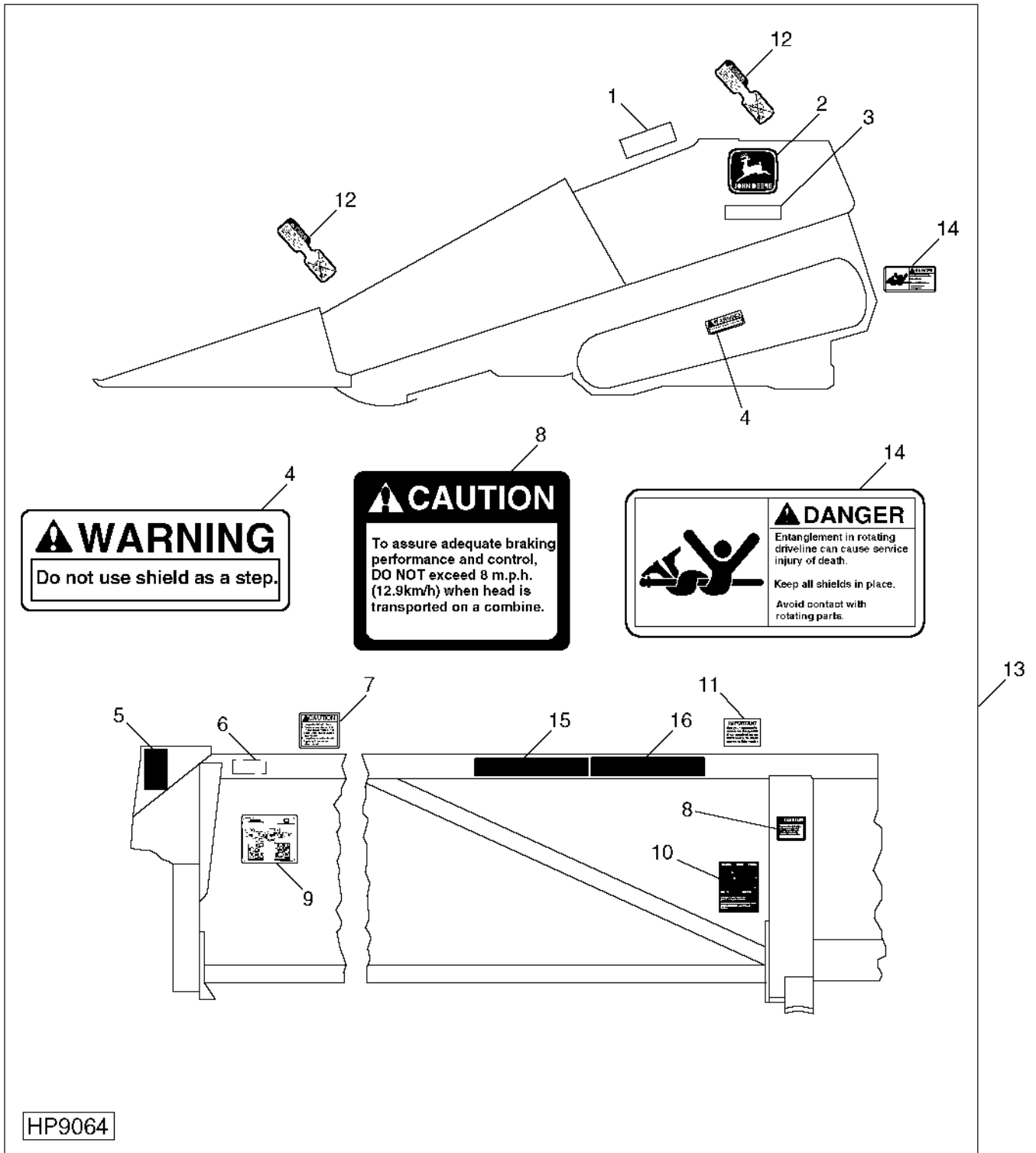
HP6152

KEY	PART NO.	PART NAME	QTY	SERIAL NO.	REMARKS
1	24H1788	WASHER	4	17/32" X 1-1/8" X 0.060"	
2	24H1136	WASHER	AR	11/32" X 11/16" X 0.065"	
3	03M7185	BOLT	AR	M8 X 25, (12 USED-454A; 16 USED-653A, 654A, AND 853A)	
	12H303	LOCK WASHER	AR	5/16", (12 USED-454A; 16 USED-653A, 654A AND 853A)	
	14M7298	FLANGE NUT	AR	M8, (12 USED-454A; 16 USED-653A, 654A AND 853A)	
4	H99229	SUPPORT	AR	(5 USED-454A, 653A, 654A AND 853A)	
5	24H1621	WASHER	2	11/32" X 1" X 0.220", (454A, 653A, 654A AND 853A)	
6	37M7058	SCREW	AR	M8 X 20, SELF-TAPPING	
7	AH99718	DEFLECTOR	2	ROD	
8	N12909	STRAP	2		
9	AH94750	SHIELD	2		
10	AH97860	DEFLECTOR	AR	1 USED-454A, 653A, 654A AND 853A)	
11	AH97861	DEFLECTOR	2	(454A, 653A, 654A AND 853A)	

# K16

DECALS  
HP9064

-UN-15SEP99



# K17

50A SERIES ROW-CROP HEADS

**DECALS - CONTINUED**

KEY	PART NO.	PART NAME	QTY	SERIAL NO.	REMARKS
1	.....	DECAL	1		RANGE INDICATOR
2	JD5590	DECAL	2		LEAPING DEER, 203 MM (8")
3	H105556	LABEL	2		(012223344455678A)
4	H87465	DECAL	2	-660100	WARNING (DO NOT USE SHIELD AS A STEP) (SUB H149112)
	H149112	DECAL	2	-685100	"WARNING" (DO NOT USE SHIELD AS A STEP) (SUB H173224)
	H173224	DECAL	2		
5	JD5580	REFLECTOR	2	-660100	(SUB JD5902) REFLECTIVE TAPE (RED)
	JD5902	REFLECTOR	2		REFLECTIVE TAPE (RED)
6	JD5581	REFLECTOR	1	-660100	(SUB JD5905) REFLECTIVE TAPE (AMBER)
	JD5905	REFLECTOR	1		(SUB JD5921) REFLECTIVE TAPE (AMBER)
	JD5921	REFLECTOR	1		REFLECTIVE TAPE (AMBER)
7	JD5255	DECAL	1	-660100	(SUB E82510) CAUTION
	E82510	LABEL	1		"CAUTION"
8	H115916	DECAL	1	-660100	"CAUTION" (DO NOT EXCEED SPEED)(1253A) (BACKSIDE CENTER NEAR TOP) (SUB H149042)
	H149042	DECAL	1		"CAUTION" (DO NOT EXCEED SPEED) (BACKSIDE CENTER NEAR TOP)
9	H122179	LABEL	1		"LUBE CHART"
10	H136751	DECAL	1		"HEADER LATCH PLATES"
11	H115779	DECAL	1	-655100	(1253A AND 854A) "IMPORTANT" (TOP BEAM) (SUB H150135)
	H150135	LABEL	1	655101-	
12	H115537	DECAL	2	-660100	(1253A) "CAUTION" (ONE NEAR CENTER OF MACHINE--BOTTOM SIDE OF AUGER FLOOR; ONE NEAR CENTER--BESIDE PLUG WELD ON TOP BEAM) (SUB H149041)
	H149041	DECAL	2		"CAUTION" (1253A)
13	AH100289	DECAL KIT	1		
14	E74026	DECAL	1	-660100	"DANGER" (DRIVE SHAFT) (SIDEHILL ONLY)
	E82514	LABEL	1		"DANGER" (DRIVE LINE ENTANGLEMENT) (SIDEHILL ONLY)
15	JD5920	REFLECTOR	2		RED
16	JD5922	REFLECTOR	2		ORANGE

MEMORANDA



# L16

## NUMERICAL INDEX

PART NO.	GRID	KEY	PAGE	PART NO.	GRID	KEY	PAGE	PART NO.	GRID	KEY	PAGE
AA5607R	J17	7	150	AH101614	F8	6	37	AH108542	K14	11	172
AD2062R	K6	2	164	AH101615	F7	6	36	AH108657	F5	20	34
AD2062R	K7	2	165	AH101615	F8	6	37	AH108657	F6	19	35
AE22753	J10	3	142	AH101616	F18	2	51	AH108658	F5	20	34
AE23516	J13	4	145	AH101616	F20	2	53	AH108658	F6	19	35
AE23516	J14	10	146	AH101617	F18	2	51	AH108659	F12	25	43
AE23516	J15	12	148	AH101617	F20	2	53	AH108660	F12	25	43
AE27909	G14	3	73	AH101670	G10	20	69	AH108835	F5	17	34
AE27909	G16	3	75	AH101671	G10	4	69	AH108835	F6	16	35
AE27909	G18	4	77	AH102528	F18	14	51	AH109390	J17	1	150
AE27909	H12	14	95	AH102529	F18	14	51	AH109390	J17	4	150
AE27909	H14	13	97	AH102671	H16	8	99	AH109390	J17	8	150
AE27909	H16	21	99	AH102671	H20	8	103	AH109390	J17	9	150
AE27909	H20	21	103	AH102671	I8	9	113	AH109639	K1	4	159
AE27909	I2	30	107	AH102671	I10	8	115	AH109640	K1	4	159
AE27909	I4	29	109	AH102671	I14	8	119	AH109666	F5	10	34
AE27909	I8	26	113	AH102671	I21	8	127	AH109666	F6	10	35
AE27909	I10	16	115	AH102687	K11	3	169	AH109667	F5	10	34
AE27909	I14	16	119	AH102688	K11	3	169	AH109667	F6	10	35
AE37204	H8	9	91	AH102712	G2	2	60	AH109673	E9	1	13
AE38168	G4	4	62	AH102712	G3	2	61	AH109674	E9	1	13
AE41741	G4	5	62	AH102723	F5	9	34	AH109676	E17	1	21
AE43059	G4	1	62	AH102723	F6	9	35	AH109677	E17	1	21
AE45615	G4	6	62	AH102723	F12	11	43	AH109679	E17	1	21
AE50072	J13	8	145	AH102723	F14	11	45	AH110100	J22	13	155
AE50072	J13	13	145	AH102872	F9	1	39	AH110100	J24	13	157
AE50072	J13	..	145	AH102872	F10	1	40	AH110101	J22	9	155
AH100289	K8	1	166	AH102873	F9	1	39	AH110101	J24	9	157
AH100289	K9	1	167	AH102873	F10	1	40	AH110841	K12	3	170
AH100289	K17	13	175	AH103041	I25	20	131	AH110841	K12	7	170
AH101172	G4	1	62	AH103042	I25	20	131	AH110842	K12	3	170
AH101216	F18	4	51	AH103049	J5	15	136	AH110842	K12	7	170
AH101217	G14	9	73	AH103079	I25	21A	131	AH111086	J17	11	150
AH101218	G14	8	73	AH103276	J17	3	150	AH111312	G20	4	79
AH101218	G16	8	75	AH103303	G7	9	65	AH111313	G20	4	79
AH101339	G5	7	63	AH103303	G8	9	66	AH111314	G20	4	79
AH101339	G6	7	64	AH103305	G10	20	69	AH111315	G20	4	79
AH101340	G5	6	63	AH103305	G18	15	77	AH111316	G20	4	79
AH101340	G6	6	64	AH103310	F18	3	51	AH111317	G20	4	79
AH101340	G14	4	73	AH103310	F20	3	53	AH111318	G20	4	79
AH101340	G16	4	75	AH103311	F18	3	51	AH111348	J25	6	158
AH101361	F18	11	51	AH103311	F20	3	53	AH111361	E9	1	13
AH101373	K11	6	169	AH103312	F18	3	51	AH111362	E9	1	13
AH101458	G20	4	79	AH103313	F18	3	51	AH111363	E17	1	21
AH101459	G20	4	79	AH103412	J20	17	153	AH111363	E19	1	23
AH101460	G20	4	79	AH103526	J17	5	150	AH111364	E17	1	21
AH101461	G20	4	79	AH103906	J17	11	150	AH111364	E19	1	23
AH101462	G20	4	79	AH104862	F15	10	47	AH111365	E17	1	21
AH101464	G20	4	79	AH104862	F16	10	48	AH111365	E19	1	23
AH101467	E9	1	13	AH105013	H12	3	95	AH112060	K1	4	159
AH101468	E9	1	13	AH105013	I6	2	111	AH112227	I6	11A	111
AH101470	E17	1	21	AH105014	I23	8	129	AH112235	H4	4	87
AH101471	E17	1	21	AH105015	H12	3	95	AH112236	H4	4	87
AH101473	E17	1	21	AH105015	I6	2	111	AH112280	G18	8	77
AH101571	I2	26	107	AH105016	I23	8	129	AH112546	G14	1	73
AH101571	I4	25	109	AH106612	K6	..	164	AH112546	G16	1	75
AH101571	I8	29	113	AH106612	K7	..	165	AH112692	I8	25	113
AH101571	I25	18	131	AH107066	G24	7B	83	AH112692	I21	19	127
AH101573	H18	36A	101	AH107066	H2	6	85	AH112692	I23	4	129
AH101574	H18	36A	101	AH107066	H2	16	85	AH112714	G18	1	77
AH101576	H18	36A	101	AH107066	H4	13	87	AH112722	I8	9	113
AH101576	I6	11A	111	AH107966	F2	1	31	AH112722	I21	8	127
AH101612	F7	1	36	AH107967	F2	1	31	AH112723	G18	31	77
AH101612	F8	1	37	AH108393	I8	1	113	AH112724	G5	6	63
AH101613	F7	1	36	AH108394	F18	11	51	AH112724	G6	6	64
AH101613	F8	1	37	AH108432	K1	4	159	AH112724	G18	5	77
AH101614	F7	6	36	AH108470	G1	6	59	AH112884	E17	1	21

## NUMERICAL INDEX - CONTINUED

PART NO.	GRID	KEY	PAGE	PART NO.	GRID	KEY	PAGE	PART NO.	GRID	KEY	PAGE
AH112884	E19	1	23	AH125081	I6	11A	111	AH136229	E11	1	15
AH113100	J10	12	142	AH126377	I12	33	117	AH136230	E19	1	23
AH113101	J10	10	142	AH126377	I16	33	121	AH136231	E19	1	23
AH113784	F18	4	51	AH126377	I23	10	129	AH136231	E21	1	25
AH113784	F20	4	53	AH126377	J5	1	136	AH136232	E19	1	23
AH113785	G14	9	73	AH128923	K1	4	159	AH136232	E21	1	25
AH114109	K3	10	161	AH129768	F12	25	43	AH136555	F18	3	51
AH114109	K4	10	162	AH129768	F14	25	45	AH136555	F20	3	53
AH114487	K11	3	169	AH129769	F12	25	43	AH136556	F18	3	51
AH114487	K12	7	170	AH129769	F14	25	45	AH136556	F20	3	53
AH114488	K11	3	169	AH130191	K1	4	159	AH136653	K5	3	163
AH114488	K12	7	170	AH130191	K2	3	160	AH137697	F15	1	47
AH115426	J11	9	143	AH130192	K2	3	160	AH137697	F15	2	47
AH11668	J10	12	142	AH131365	G20	4	79	AH137697	F16	1	48
AH117530	F7	4	36	AH131366	G20	4	79	AH137697	F16	2	48
AH117530	F8	4	37	AH131367	G20	4	79	AH137699	F15	6	47
AH117531	E9	2	13	AH131368	G20	4	79	AH137699	F15	8	47
AH117531	E11	2	15	AH131397	G20	4	79	AH137699	F16	6	48
AH117531	E19	2	23	AH131398	G20	4	79	AH137699	F16	8	48
AH117531	E21	2	25	AH131399	G20	4	79	AH141138	J13	17	145
AH117531	F2	2	31	AH131400	G20	4	79	AH141142	K10	..	168
AH117552	G10	4	69	AH131401	G20	4	79	AH141172	J2	23	133
AH117552	G12	4	71	AH131402	G20	4	79	AH141172	J4	23	135
AH117553	G18	31	77	AH132334	G20	3	79	AH141173	J7	1	139
AH117558	G10	4	69	AH132339	E9	1	13	AH141173	J9	1	141
AH117558	G12	4	71	AH132340	E19	1	23	AH141236	J13	1	145
AH117559	G18	31	77	AH132341	E19	1	23	AH141237	J13	5	145
AH117975	J20	31	153	AH132342	E19	1	23	AH141238	J13	7	145
AH117975	J22	1	155	AH132343	E19	1	23	AH141239	J13	11	145
AH117975	J24	1	157	AH132344	F2	1	31	AH141240	J13	14	145
AH118832	F18	11	51	AH132345	F2	1	31	AH141241	J13	12	145
AH118833	F18	11	51	AH133702	K12	3	170	AH141242	J13	15	145
AH119746	J11	3	143	AH133702	K13	3	171	AH141281	E19	1	23
AH119746	J11	6	143	AH133703	K12	3	170	AH141281	E21	1	25
AH119746	J11	10	143	AH133703	K13	3	171	AH141293	J2	20	133
AH119746	J11	17	143	AH133738	H18	32A	101	AH141293	J4	20	135
AH119746	J11	21	143	AH133738	H18	36A	101	AH141294	J7	10	139
AH120806	H12	9	95	AH133738	H18	36B	101	AH141294	J9	10	141
AH120806	H12	25	95	AH133738	H22	36	105	AH141298	J7	17	139
AH120806	H14	24	97	AH133738	I6	9A	111	AH141298	J9	17	141
AH120806	I25	8	131	AH133738	I6	9B	111	AH141300	J2	24	133
AH120806	I25	9	131	AH133738	I6	10A	111	AH141436	J7	12	139
AH120806	J2	9	133	AH133738	I6	11A	111	AH142379	G20	3	79
AH121119	F2	1	31	AH133738	I6	11B	111	AH142379	G22	3	81
AH121122	E17	1	21	AH133738	I25	21B	131	AH143045	J2	24	133
AH121122	E19	1	23	AH134204	K6	..	164	AH143045	J4	24	135
AH121536	E9	1	13	AH134204	K7	..	165	AH143046	J7	12	139
AH121537	E17	1	21	AH134220	K2	3	160	AH143046	J9	12	141
AH121537	E19	1	23	AH134220	K3	5	161	AH143084	H12	3	95
AH121538	E17	1	21	AH134221	K2	3	160	AH143084	H14	2	97
AH121538	E19	1	23	AH134221	K3	5	161	AH143084	H18	31	101
AH121539	E17	1	21	AH134252	K6	3	164	AH143084	H22	31	105
AH121539	E19	1	23	AH134252	K7	3	165	AH143085	H12	3	95
AH121540	F2	1	31	AH134683	F2	13	31	AH143085	H14	2	97
AH121564	J11	16	143	AH134684	E9	10	13	AH143085	H18	31	101
AH121565	J11	11	143	AH134684	E11	9	15	AH143085	H22	31	105
AH121566	J11	13	143	AH134684	E19	10	23	AH143086	H12	3	95
AH122163	E17	1	21	AH134684	E21	9	25	AH143086	H14	2	97
AH122163	E19	1	23	AH134685	E9	10	13	AH143086	H18	31	101
AH122351	F22	7B	55	AH134685	E11	9	15	AH143086	H22	31	105
AH122351	F23	6	56	AH134685	E19	10	23	AH143087	H12	3	95
AH122922	J11	2	143	AH134685	E21	9	25	AH143087	H14	2	97
AH123019	F18	14	51	AH134879	E19	1	23	AH143087	H18	31	101
AH123019	F20	14	53	AH134881	E19	1	23	AH143087	H22	31	105
AH123020	F18	14	51	AH134882	E19	1	23	AH143088	I10	20	115
AH123020	F20	14	53	AH135357	E9	1	13	AH143088	I14	20	119
AH124929	G20	8	79	AH136229	E9	1	13	AH143089	I10	20	115

## NUMERICAL INDEX - CONTINUED

PART NO.	GRID	KEY	PAGE	PART NO.	GRID	KEY	PAGE	PART NO.	GRID	KEY	PAGE
AH143089	I14	20	119	AH145837	J5	15	136	AH164499	K7	1	165
AH143090	I10	20	115	AH145845	I2	16	107	AH164792	K3	..	161
AH143090	I14	20	119	AH145845	J2	24	133	AH164792	K4	..	162
AH143098	H16	1	99	AH145845	J4	24	135	AH164909	J14	8	146
AH143098	H20	1	103	AH145847	H12	2	95	AH164910	J14	1	146
AH143098	I10	14	115	AH145847	H18	31	101	AH164911	J14	3	146
AH143098	I14	14	119	AH145852	I17	7	122	AH164912	J14	5	146
AH143100	H12	9	95	AH145852	J7	12	139	AH165084	J24	26	157
AH143100	H14	8	97	AH145852	J9	12	141	AH167979	J15	7	148
AH143100	I2	7	107	AH145885	H12	3	95	AH167995	J15	..	148
AH143100	I4	7	109	AH145885	I6	2	111	AH60752	J10	5	142
AH143100	I25	8	131	AH148005	J2	23	133	AH60756	J10	10	142
AH143100	J2	9	133	AH148005	J4	23	135	AH61953	J10	6	142
AH143100	J4	9	135	AH148006	J7	1	139	AH62345	J16	4	149
AH143109	G22	4	81	AH148006	J9	1	141	AH66615	I8	17	113
AH143110	G22	4	81	AH148572	G22	3	81	AH76556	J20	2	153
AH143111	G22	4	81	AH148576	G22	8	81	AH76556	J22	17	155
AH143112	G22	4	81	AH148907	H8	12	91	AH76556	J24	17	157
AH143120	F20	11	53	AH148907	H14	14	97	AH76556	K8	11	166
AH143156	I25	20	131	AH148907	I2	37	107	AH76556	K9	11	167
AH143157	I8	1	113	AH148907	I4	39	109	AH87944	G24	7A	83
AH143157	I21	14	127	AH149120	G22	4	81	AH88522	G20	8	79
AH143193	G20	4	79	AH149121	G22	4	81	AH88540	H18	32A	101
AH143194	G20	4	79	AH149122	G22	4	81	AH88540	I6	9A	111
AH143194	G22	4	81	AH149123	G22	4	81	AH88540	I25	2A	131
AH143195	G20	4	79	AH149193	G20	4	79	AH89038	I23	18	129
AH143310	G16	9	75	AH149193	G22	4	81	AH89557	J25	1	158
AH143316	H9	1	92	AH149195	G20	4	79	AH89557	J25	2	158
AH143317	H9	1	92	AH149195	G22	4	81	AH89557	K1	1	159
AH143319	E21	14	25	AH149331	G20	4	79	AH89557	K1	2	159
AH143503	G10	20	69	AH149331	H2	17	85	AH89557	K2	1	160
AH143503	G12	20	71	AH149331	H8	20	91	AH89557	K2	4	160
AH143503	G18	15	77	AH149333	G22	11	81	AH89557	K2	5	160
AH143578	G20	4	79	AH149333	H8	21	91	AH89557	K3	1	161
AH143579	G20	4	79	AH149696	G16	9	75	AH89557	K3	4	161
AH143580	G20	4	79	AH153337	J10	6	142	AH89557	K4	1	162
AH143581	G20	4	79	AH153338	J10	5	142	AH89557	K4	4	162
AH143705	H2	16	85	AH155077	J14	6	146	AH89557	K6	6	164
AH143739	H12	2	95	AH155215	K5	3	163	AH89557	K7	6	165
AH143739	H18	31	101	AH155216	K5	3	163	AH89588	J16	1	149
AH143740	H12	3	95	AH155397	K5	9	163	AH89589	J16	12	149
AH143740	I6	2	111	AH159432	G22	4	81	AH89590	J20	8	153
AH143741	H12	3	95	AH159433	G22	4	81	AH89630	F24	6	57
AH143741	I6	2	111	AH159434	G22	4	81	AH89630	F25	6	58
AH143742	I23	8	129	AH159435	G20	4	79	AH89634	F24	6	57
AH143743	I23	8	129	AH159435	G22	4	81	AH89634	F25	6	58
AH144296	K2	3	160	AH159439	G20	4	79	AH89637	H18	28	101
AH144296	K3	5	161	AH159439	G22	4	81	AH89637	H22	28	105
AH144297	K3	5	161	AH159440	G20	4	79	AH89637	I2	2	107
AH144523	J14	9	146	AH159440	G22	4	81	AH89637	I4	2	109
AH145824	H14	2	97	AH159823	J24	31	157	AH89637	I8	25	113
AH145824	H22	31	105	AH161717	K4	5	162	AH89637	I12	34	117
AH145825	H14	2	97	AH162186	I2	17	107	AH89637	I16	34	121
AH145825	H22	31	105	AH162428	E21	1	25	AH89637	I17	2	122
AH145826	H14	2	97	AH162429	E21	1	25	AH89637	I19	2	125
AH145826	H22	31	105	AH162430	E21	1	25	AH89637	I21	19	127
AH145827	H14	2	97	AH162716	I4	16	109	AH89637	I23	4	129
AH145827	H22	31	105	AH162717	I19	7	125	AH89637	I25	12	131
AH145828	H12	3	95	AH162717	J14	..	146	AH89637	J2	15	133
AH145828	I6	2	111	AH163087	K5	2B	163	AH89637	J4	15	135
AH145830	I14	20	119	AH163088	K5	2B	163	AH89637	J5	14	136
AH145831	I14	20	119	AH163273	I4	43	109	AH89637	J7	14	139
AH145832	I14	20	119	AH163273	I17	9	122	AH89637	J9	14	141
AH145833	I23	8	129	AH163273	I19	13	125	AH89638	H6	12	89
AH145834	I23	8	129	AH164128	H2	6	85	AH89638	H8	12	91
AH145835	I25	20	131	AH164497	K5	1	163	AH89638	H12	15	95
AH145836	I25	20	131	AH164499	K6	1	164	AH89638	H14	14	97

**NUMERICAL INDEX - CONTINUED**

PART NO.	GRID	KEY	PAGE	PART NO.	GRID	KEY	PAGE	PART NO.	GRID	KEY	PAGE
AH89697	J20	28	153	AH97933	H12	2	95	AW24500	J11	18	143
AH89835	F5	10	34	AH97933	H18	31	101	A22698	E9	3	13
AH89836	F5	10	34	AH97934	H12	3	95	A22698	E13	2	17
AH89837	F12	23	43	AH97934	H18	31	101	A22698	E13	7	17
AH89837	F14	23	45	AH97938	H12	3	95	A22698	E13	8	17
AH89838	F12	2	43	AH97938	H18	31	101	A22698	E17	3	21
AH89838	F14	2	45	AH97939	I10	20	115	A22698	E17	16	21
AH89839	F12	23	43	AH97940	H12	3	95	A22698	E19	3	23
AH89839	F14	23	45	AH97940	H18	31	101	A22698	E23	2	27
AH89840	F12	2	43	AH97941	I10	20	115	A22698	E23	7	27
AH89840	F14	2	45	AH97944	H12	3	95	A22698	E23	8	27
AH90205	K11	2	169	AH97944	H18	31	101	A22698	F2	3	31
AH90205	K12	2	170	AH97945	I10	20	115	A22698	F4	2	33
AH90205	K13	2	171	AH97950	H16	1	99	A22698	F4	9	33
AH90208	H12	17	95	AH97950	H20	1	103	A22698	F4	12	33
AH90208	H14	16	97	AH97950	I10	14	115	A22698	F9	3	39
AH90208	I2	38	107	AH98158	F15	6	47	A22698	F12	4	43
AH90208	I4	40	109	AH98158	F16	6	48	A22698	F14	4	45
AH90223	G20	3	79	AH98159	F15	2	47	A22698	F22	3	55
AH90538	J20	31	153	AH98159	F16	2	48	A22698	H9	4	92
AH90538	J22	1	155	AH98166	F15	10	47	A22698	H12	20	95
AH90716	J25	4	158	AH98311	I25	19	131	A22698	H12	21	95
AH90990	K6	7	164	AH98311	J2	1	133	A22698	J2	27	133
AH90990	K7	7	165	AH98311	J4	1	135	A22698	J7	3	139
AH91784	H18	40	101	AH99718	K14	7	172	A22698	J20	12	153
AH91784	H22	40	105	AH99718	K15	7	173	A22698	J20	13	153
AH91784	I6	16	111	AN102010	G1	1	59	A22698	J22	6	155
AH91784	I12	29	117	AN102010	G24	16	83	A22698	J22	27	155
AH91784	I16	29	121	AN102010	H2	12	85	A22698	K2	2	160
AH91784	J15	2	148	AN102010	H4	2	87	A22698	K3	2	161
AH92500	K8	20	166	AN102010	H6	9	89	A22698	K11	1	169
AH92500	K9	20	167	AN102010	H6	9	91	A22698	K12	1	170
AH93540	E9	11	13	AN102010	H8	9	91	A31870	H22	29	105
AH93540	E11	10	15	AN102010	H16	26	99	A31870	I6	4	111
AH93540	E17	10	21	AN102010	H20	26	103	A31870	I14	4	119
AH93540	E19	11	23	AN102010	I2	4	107	A31870	I16	36	121
AH93540	E21	10	25	AN102010	I4	4	109	A31870	I25	14	131
AH93540	F2	4	31	AN102010	I6	7	111	A31870	I25	14	131
AH94159	F21	2	54	AN102010	I8	6	113	A31870	J4	17	135
AH94160	F21	3	54	AN102010	I12	22	117	A31870	J5	12	136
AH94195	F22	13	55	AN102010	I16	22	121	A31870	J9	16	141
AH94195	F23	11	56	AN102010	I17	4	122	A3581R	F22	1	55
AH94439	H16	16	99	AN102010	I19	4	125	A3581R	F23	1	56
AH94439	H20	16	103	AN102010	I21	11	127	A51212	F25	5	58
AH94439	I8	17	113	AN102010	I23	5	129	A51212	J17	10	150
AH94439	I12	41	117	AN102010	I25	15	131	BH81804	J15	..	148
AH94439	I16	41	121	AN102010	J2	13	133	BP12946	J13	3	145
AH94439	I21	21	127	AN102010	J4	13	135	BP12946	J14	12	146
AH94439	J7	13	139	AN102010	J5	11	136	BP12946	J15	12	148
AH94439	J9	13	141	AN102010	J7	8	139	BP13712	G20	6	79
AH94725	F22	11	55	AN102010	J9	8	141	B13153	F22	5B	55
AH94725	F23	9	56	AN102372	F5	11	34	B28053	J16	16	149
AH94750	K14	9	172	AN102372	F6	11	35	C1099E	E9	13	13
AH94750	K15	9	173	AN102373	F5	11	34	C1099E	E11	12	15
AH96234	H12	24	95	AN102373	F6	11	35	C1099E	E17	12	21
AH96234	H14	23A	97	AN102382	I23	20	129	C1099E	E19	13	23
AH96931	F15	8	47	AN115321	I8	26	113	C1099E	E21	12	25
AH96931	F16	8	48	AN115321	I21	18	127	C1099E	F2	6	31
AH96932	F15	1	47	AN210556	I8	26	113	C13443	F5	4	34
AH96932	F16	1	48	AN210556	I21	18	127	C13443	F12	16	43
AH97860	K14	10	172	AN31211	H12	14	95	C3994E	H6	8	89
AH97860	K15	10	173	AN31211	H14	13	97	C3994E	I6	6	111
AH97861	K14	11	172	AN31211	I8	26	113	C3994E	I10	21	115
AH97861	K15	11	173	AN31211	I21	18	127	C3994E	I23	6	129
AH97927	H12	9	95	AP15292	I8	17	113	C3994E	I25	10	131
AH97927	H12	25	95	AP24580	J10	3	142	C3994E	J5	10	136
AH97927	I25	8	131	AT12383	J22	22	155	C3994E	J7	7	139
				AT12383	J24	22	157	C3994E	J9	7	141

**NUMERICAL INDEX - CONTINUED**

PART NO.	GRID	KEY	PAGE	PART NO.	GRID	KEY	PAGE	PART NO.	GRID	KEY	PAGE
E10018	G24	15	83	E63951	I6	10A	111	H101653	F12	5	43
E10018	H4	6	87	E68688	G4	1	62	H101653	F14	5	45
E30743	G5	3	63	E69313	G4	3	62	H101660	H6	18	89
E50102	F24	5	57	E74026	I25	26	131	H101668	G5	2	63
E50102	G24	10	83	E74026	J2	19	133	H101668	G6	2	64
E50102	H4	1	87	E74026	J4	19	135	H101677	H12	6	95
E50102	H4	19	87	E74026	J5	8	136	H101677	H14	5	97
E50102	J17	10	150	E74026	J7	9	139	H101677	H16	13	99
E55662	E13	14	17	E74026	J9	9	141	H101677	H20	13	103
E55662	E23	14	27	E74026	K17	14	175	H101677	I2	10	107
E55662	F4	17	33	E77106	J13	13	145	H101677	I4	10	109
E55662	F5	12	34	E80242	I2	21	107	H101677	I8	14	113
E55662	F6	12	35	E80242	I4	21	109	H101677	I10	3	115
E55662	F12	1	43	E80242	I17	10	122	H101677	I14	3	119
E55662	F12	17	43	E80242	J14	14	146	H101677	I21	3	127
E55662	F15	4	47	E82510	K17	7	175	H101677	I25	5	131
E55662	F18	6	51	E82514	J7	9	139	H101677	J2	5	133
E55662	F18	8	51	E82514	J9	9	141	H101677	J4	5	135
E55662	F18	15	51	E82514	K17	14	175	H101678	H12	7	95
E55662	F18	20	51	G6579E	H12	8	95	H101678	H14	6	97
E55662	F22	9	55	G6579E	H14	7	97	H101678	I2	9	107
E55662	F24	9	57	H100293	G10	13	69	H101678	I4	9	109
E55662	F24	17	57	H100293	G12	13	71	H101678	I25	6	131
E55662	G1	17	59	H100293	G18	20	77	H101678	J2	7	133
E55662	G24	17	83	H100363	H12	4	95	H101678	J4	7	135
E55662	H2	13	85	H100363	I25	3	131	H101679	H16	10	99
E55662	H4	1	87	H101276	H12	5	95	H101679	H20	10	103
E55662	H4	17	87	H101276	H14	4	97	H101679	I10	6	115
E55662	H6	13	89	H101276	I2	11	107	H101679	I14	6	119
E55662	H6	17	89	H101276	I4	11	109	H101758	H6	20	89
E55662	H12	12	95	H101276	I25	4	131	H101759	G24	19	83
E55662	H16	17	99	H101276	J2	4	133	H101760	G24	19	83
E55662	H16	27	99	H101276	J4	4	135	H101762	G24	19	83
E55662	H18	34	101	H101296	F18	13	51	H101763	G24	19	83
E55662	H18	41	101	H101321	F12	24	43	H101764	G24	19	83
E55662	H20	17	103	H101416	G4	1	62	H101783	F22	7A	55
E55662	H20	27	103	H101417	G4	2	62	H102440	G5	1	63
E55662	I6	8	111	H101445	F24	8	57	H102441	G5	1	63
E55662	I8	20	113	H101445	F25	8	58	H102442	G2	1	60
E55662	I12	25	117	H101446	F24	12	57	H102442	G3	1	61
E55662	I12	40	117	H101446	F25	12	58	H102477	H16	15	99
E55662	I21	25	127	H101463	G14	6	73	H102477	H20	15	103
E55662	I23	7	129	H101463	G16	6	75	H102477	I8	16	113
E55662	J2	14	133	H101463	G18	6	77	H102477	I10	1	115
E55662	J7	2	139	H101464	F18	5	51	H102477	I14	1	119
E55662	K8	17	166	H101464	F20	5	53	H102477	I21	1	127
E62484	H8	8	91	H101583	G10	8	69	H102497	H16	14	99
E62951	H18	32A	101	H101583	G18	27	77	H102497	H20	14	103
E62951	H18	33B	101	H101584	G7	3	65	H102497	I8	15	113
E62951	H18	36A	101	H101601	G10	9	69	H102497	I10	2	115
E62951	H18	39	101	H101601	G12	9	71	H102497	I14	2	119
E62951	H22	33	105	H101601	G18	23	77	H102497	I21	2	127
E62951	H22	39	105	H101602	G10	11	69	H102554	F5	16	34
E62951	I6	9A	111	H101602	G12	11	71	H102554	F6	15	35
E62951	I6	9B	111	H101602	G18	22	77	H102724	G24	4B	83
E62951	I6	10B	111	H101603	G10	7	69	H102724	G24	7A	83
E62951	I6	11A	111	H101603	G12	7	71	H102827	F5	13B	34
E62951	I6	11B	111	H101603	G18	30	77	H102827	F6	13	35
E62951	I6	15	111	H101606	G10	12	69	H102844	F5	18	34
E62951	I12	30	117	H101606	G18	19	77	H102844	F6	17	35
E62951	I16	30	121	H101607	G10	18	69	H102878	J5	1	136
E62951	I23	16	129	H101607	G18	13	77	H102883	G2	5	60
E62951	I25	1B	131	H101642	G7	10	65	H102883	G3	5	61
E62951	J10	4	142	H101643	G7	5	65	H103046	G24	7A	83
E62951	J15	4	148	H101643	G8	5	66	H103046	G24	7B	83
E63951	H18	36B	101	H101652	F12	19	43	H103265	G24	15	83
E63951	H22	36	105	H101652	F14	19	45	H103265	H2	11	85

**NUMERICAL INDEX - CONTINUED**

PART NO.	GRID	KEY	PAGE	PART NO.	GRID	KEY	PAGE	PART NO.	GRID	KEY	PAGE
H103265	H4	3	87	H109048	G5	3	63	H113294	E15	12	19
H103265	H6	8	89	H109048	G6	3	64	H113295	E23	12	27
H103265	H8	8	91	H109050	G5	1	63	H113295	E25	12	29
H103265	H16	25	99	H109051	G5	1	63	H113296	E23	12	27
H103265	H20	25	103	H109119	F22	4	55	H113296	E25	12	29
H103265	I6	6	111	H109119	F23	4	56	H113297	E23	10	27
H103265	I10	21	115	H109783	I8	11	113	H113298	E23	12	27
H103265	I14	21	119	H109783	I21	6	127	H113298	E25	12	29
H103265	I23	6	129	H109784	G1	2	59	H113299	E23	12	27
H103265	I25	10	131	H109785	G1	3	59	H113299	E25	12	29
H103265	J2	12	133	H109786	G1	12	59	H113300	E23	12	27
H103265	J4	12	135	H109787	G1	8	59	H113300	E25	12	29
H103265	J5	10	136	H109854	G1	11	59	H113301	E23	12	27
H103474	F24	11	57	H109855	I8	15	113	H113301	E25	12	29
H103474	F25	11	58	H109855	I21	2	127	H113302	E13	9	17
H103477	F18	17	51	H110031	K14	12	172	H113303	E13	9	17
H103477	F20	17	53	H110399	G10	8	69	H113303	E23	9	27
H103479	F18	17	51	H110399	G18	27	77	H113304	E13	11	17
H103621	J20	11	153	H110400	G7	3	65	H113304	E15	11	19
H103622	J20	11	153	H110729	G24	8	83	H113305	E13	11	17
H103624	J20	11	153	H110730	G24	8	83	H113305	E15	11	19
H103625	J20	11	153	H110730	H4	14	87	H113306	E23	11	27
H103627	J20	11	153	H111544	E13	3	17	H113306	E25	11	29
H103628	J16	8	149	H111545	E13	3	17	H113307	E23	11	27
H103628	J20	14	153	H111547	E17	5	21	H113307	E25	11	29
H103628	K8	16	166	H111547	E23	3	27	H113308	E23	9	27
H103628	K9	16	167	H111548	E17	5	21	H113309	E23	11	27
H104783	J20	32	153	H111548	E23	3	27	H113309	E25	11	29
H105161	E13	6	17	H111550	E17	5	21	H113310	E23	11	27
H105161	E15	6	19	H111550	E23	3	27	H113310	E25	11	29
H105161	E23	6	27	H111904	H9	3	92	H113311	E23	11	27
H105161	E25	6	29	H111905	H9	3	92	H113311	E25	11	29
H105163	E23	6	27	H112222	J22	23	155	H113312	E23	11	27
H105163	E25	6	29	H112226	J22	10	155	H113312	E25	11	29
H105165	E23	6	27	H112226	J24	10	157	H113374	J22	19	155
H105165	E25	6	29	H112227	J22	4	155	H113374	J24	19	157
H105166	F4	8	33	H112227	J24	4	157	H113789	F22	2	55
H105168	F4	8	33	H112229	J22	3	155	H113789	F23	2	56
H105556	K17	3	175	H112229	J24	3	157	H113905	F18	19	51
H105842	I23	10	129	H112230	J22	5	155	H113905	F20	19	53
H105843	I23	10	129	H112231	J22	5	155	H113906	F24	4	57
H105844	I6	12	111	H112654	H12	4	95	H113906	F25	4	58
H105844	I23	13	129	H112654	H14	3	97	H113906	G1	4	59
H105845	I6	12	111	H112654	I2	12	107	H113907	G1	18	59
H105845	I23	13	129	H112654	I4	12	109	H114494	G1	6	59
H105852	F4	14	33	H112654	I25	3	131	H114520	J22	25	155
H105853	F4	16	33	H112654	J2	3	133	H114531	H6	18	89
H105854	F4	11	33	H112654	J4	3	135	H114558	I6	19	111
H105855	F4	16	33	H112975	H6	10	89	H114558	I23	23	129
H105856	F4	11	33	H112976	H6	20	89	H114641	G18	3	77
H105867	F4	6	33	H113071	K12	4	170	H114641	H16	22	99
H105868	F4	6	33	H113071	K12	7	170	H114641	H20	22	103
H105870	F4	13	33	H113286	J22	5	155	H114641	I8	27	113
H105871	F4	15	33	H113287	J22	5	155	H114641	I10	17	115
H105872	F4	10	33	H113288	J22	5	155	H114641	I14	17	119
H105873	F4	1	33	H113288	J24	5	157	H114641	I21	17	127
H105874	F4	1	33	H113289	J22	5	155	H114855	F18	9	51
H105875	F4	1	33	H113290	J22	5	155	H115074	I8	21	113
H105876	F4	1	33	H113290	J24	5	157	H115074	I21	27	127
H105892	F4	6	33	H113291	E13	10	17	H115537	K17	12	175
H105893	F4	6	33	H113292	E13	10	17	H115540	J22	5	155
H105894	F4	15	33	H113292	E15	10	19	H115779	K17	11	175
H105895	F4	10	33	H113292	E23	10	27	H115916	K17	8	175
H106104	F18	9	51	H113292	E25	10	29	H116160	J17	..	150
H106105	F18	9	51	H113293	E13	12	17	H116521	I8	27	113
H107116	J20	20	153	H113293	E15	12	19	H116521	I21	17	127
H109048	G5	1	63	H113294	E13	12	17	H118123	J22	26	155

## NUMERICAL INDEX - CONTINUED

PART NO.	GRID	KEY	PAGE	PART NO.	GRID	KEY	PAGE	PART NO.	GRID	KEY	PAGE
H118422	J25	5	158	H134197	E13	5	17	H135901	E23	4	27
H118422	K1	5	159	H134197	E15	5	19	H135901	E25	4	29
H118913	G24	12	83	H134197	E17	6	21	H136046	G20	7	79
H118913	H4	20	87	H134197	E23	5	27	H136046	G22	7	81
H121709	G10	12	69	H134197	E25	5	29	H136110	K5	8	163
H121709	G18	19	77	H134198	E17	6	21	H136246	G24	12	83
H121710	G10	8	69	H134198	E23	5	27	H136247	G24	9	83
H121710	G18	27	77	H134198	E25	5	29	H136751	E9	9	13
H122179	K17	9	175	H134199	E17	6	21	H136751	E11	8	15
H122345	G10	24	69	H134199	E23	5	27	H136751	E19	9	23
H122345	G12	24	71	H134199	E25	5	29	H136751	E21	8	25
H122345	G18	38	77	H134200	F4	6	33	H136751	F2	12	31
H124261	E9	6B	13	H134201	F4	6	33	H136751	K17	10	175
H124261	E19	6B	23	H134202	F4	6	33	H136893	K3	3	161
H124261	F2	9B	31	H134203	F4	6	33	H136893	K6	9	164
H125405	H12	9	95	H134204	E13	9	17	H136893	K7	9	165
H125405	H12	25	95	H134204	E23	9	27	H137029	H6	10	89
H125405	H14	8	97	H134205	E23	9	27	H137029	H8	10A	91
H125405	H14	24	97	H134206	F4	13	33	H137030	H6	20	89
H125405	I2	6	107	H134218	E13	13	17	H137030	H8	19	91
H125405	I4	6	109	H134218	E15	13	19	H137031	K3	8	161
H125405	I25	8	131	H134218	E23	13	27	H137031	K4	8	162
H125405	I25	9	131	H134218	E25	13	29	H137143	E9	5C	13
H125405	J2	6	133	H134218	F4	7	33	H137143	E11	5	15
H125405	J2	10	133	H134219	E13	13	17	H137143	E19	5C	23
H125405	J4	6	135	H134219	E15	13	19	H137143	E21	5	25
H125405	J4	10	135	H134219	E23	13	27	H137143	F2	8C	31
H126498	J11	10	143	H134219	E25	13	29	H137329	H2	9	85
H126499	J11	17	143	H134219	F4	7	33	H137423	K6	4	164
H126500	J11	6	143	H135059	H2	14	85	H137423	K7	4	165
H126502	J11	3	143	H135062	G24	19	83	H139066	G10	12	69
H127045	E23	9	27	H135062	H2	15	85	H139066	G12	12	71
H127046	E23	10	27	H135063	G24	19	83	H139072	K5	7	163
H127046	E25	10	29	H135063	H2	15	85	H139073	K5	6A	163
H129222	J11	15	143	H135064	G24	19	83	H140125	F9	4	39
H129571	I6	12	111	H135064	H2	15	85	H140125	F10	4	40
H129571	I23	13	129	H135065	G20	4	79	H140664	K6	..	164
H130934	H9	1	92	H135065	G24	19	83	H140664	K7	..	165
H130935	H9	1	92	H135065	H2	15	85	H141365	J11	1	143
H131552	E23	4	27	H135196	H8	17	91	H141547	J4	25	135
H131552	E25	4	29	H135199	I6	23B	111	H141774	E13	3	17
H131555	E23	4	27	H135199	I23	11B	129	H141774	E15	3	19
H131555	E25	4	29	H135222	H18	32A	101	H141775	E13	3	17
H131556	F4	5	33	H135222	H18	32B	101	H141775	E15	3	19
H131557	F4	5	33	H135222	H18	36A	101	H141776	E23	3	27
H132700	K6	11	164	H135222	H18	36B	101	H141777	E23	3	27
H132700	K7	11	165	H135222	H22	32	105	H141778	E23	3	27
H133619	E9	5B	13	H135222	H22	36	105	H141778	E25	3	29
H133619	E19	5B	23	H135222	I6	9A	111	H141778	E25	3	29
H133619	F2	8B	31	H135222	I6	9B	111	H141779	E23	3	27
H133620	E9	5B	13	H135222	I6	10A	111	H141780	E23	3	27
H133620	E19	5B	23	H135222	I6	11A	111	H141780	E25	3	29
H133620	F2	8B	31	H135222	I6	11B	111	H141781	E23	3	27
H134062	I25	27	131	H135222	I25	2B	131	H142095	E13	9	17
H134063	J5	9	136	H135222	J15	8	148	H142095	E15	9	19
H134192	E13	5	17	H135222	F12	24	43	H142095	E23	9	27
H134193	E13	5	17	H135290	F14	24	45	H142095	E25	9	29
H134194	E13	5	17	H135342	H18	44B	101	H142096	E23	9	27
H134194	E17	6	21	H135342	H22	44	105	H142096	E25	9	29
H134194	E23	5	27	H135342	I6	19	111	H142184	F18	17	51
H134195	E13	5	17	H135342	I12	24B	117	H142184	F20	17	53
H134195	E17	6	21	H135342	I16	24	121	H142308	J2	21	133
H134195	E23	5	27	H135342	I23	23	129	H142308	J7	11	139
H134196	E13	5	17	H135342	I23	24	129	H143317	K5	2A	163
H134196	E17	6	21	H135891	G24	10	83	H145025	F4	8	33
H134196	E23	5	27	H135900	E13	4	17	H145952	H9	1	92
H134196	E25	5	29	H135900	E15	4	19	H145952	H10	1	93
								H145953	H9	1	92

## NUMERICAL INDEX - CONTINUED

PART NO.	GRID	KEY	PAGE	PART NO.	GRID	KEY	PAGE	PART NO.	GRID	KEY	PAGE
H145953	H10	1	93	H161529	H16	25	99	H75371	H6	1	89
H145997	H10	3	93	H161529	H20	25	103	H76139	F4	4	33
H145998	H10	3	93	H161529	I2	3	107	H76139	F18	22	51
H146328	H9	1	92	H161529	I4	3	109	H76139	G10	15	69
H146329	H9	1	92	H161529	I6	6	111	H76139	G18	17	77
H147109	G10	18	69	H161529	I10	21	115	H76139	H18	45	101
H147109	G12	18	71	H161529	I14	21	119	H76139	I6	21	111
H147109	G18	13	77	H161529	I17	3	122	H76139	I12	23	117
H147110	G10	19	69	H161529	I19	3	125	H76139	I23	21	129
H147110	G12	19	71	H161529	I23	6	129	H76139	J2	28	133
H147110	G18	14	77	H161529	I25	10	131	H76139	J5	3	136
H147245	J2	22	133	H161529	J4	12	135	H76139	J7	18	139
H147245	J4	22	135	H161529	J5	10	136	H76139	K14	6	172
H147245	J7	4	139	H161618	K5	6B	163	H77380	H16	7	99
H147245	J9	4	141	H161892	I2	35	107	H77380	H20	7	103
H147467	J13	9	145	H161892	I4	35	109	H77380	I8	8	113
H147547	J2	25	133	H161892	I19	8	125	H78537	H6	2	89
H147547	J7	6	139	H162189	I4	36	109	H80926	H12	1	95
H147547	J9	6	141	H162189	I17	6	122	H80926	H14	1	97
H147578	E23	5	27	H162189	I19	6	125	H80926	I6	1	111
H147578	E25	5	29	H162662	H2	4	85	H80926	I12	28	117
H147579	E23	5	27	H163662	F16	1	48	H80926	I16	28	121
H147579	E25	5	29	H163663	F16	8	48	H80926	I23	9	129
H147580	E23	3	27	H165099	H2	14	85	H80926	J15	1	148
H147580	E25	3	29	H165237	I4	37	109	H83567	F5	19	34
H147581	E23	3	27	H165237	I19	9	125	H84480	F12	24	43
H147699	H8	1	91	H166312	J18	11	151	H85104	F5	14	34
H149041	K17	12	175	H166762	H2	8	85	H858R	J20	27	153
H149042	K17	8	175	H167350	H2	10	85	H858R	J22	7	155
H149112	K17	4	175	H168240	J15	7	148	H858R	J24	7	157
H149161	G8	10	66	H168241	J15	8	148	H86918	G20	2	79
H149162	G10	8	69	H168243	J15	5	148	H86918	G22	2	81
H149162	G12	8	71	H168246	I2	23	107	H86918	G24	1	83
H149162	G18	27	77	H168246	I4	22	109	H86918	H2	1	85
H149163	G8	3	66	H168246	I17	11	122	H86918	H4	9	87
H149164	F20	13	53	H168246	I19	10	125	H87044	G24	3	83
H149171	H8	2	91	H168297	I2	24	107	H87044	H2	3	85
H149361	G22	10	81	H168297	I4	23	109	H87044	H4	11	87
H149361	H8	5	91	H168297	I17	12	122	H87059	H18	33A	101
H149361	H22	29	105	H168297	I19	11	125	H87059	I6	10A	111
H149361	I2	1	107	H168763	I4	17	109	H87059	I25	1A	131
H149361	I2	39	107	H168828	K4	3	162	H87069	G24	4A	83
H149361	I4	1	109	H168838	H14	23B	97	H87184	G20	7	79
H149361	I4	41	109	H168838	I2	25	107	H87192	G24	2	83
H149361	I16	36	121	H168838	I4	24	109	H87192	H2	2	85
H149361	I17	1	122	H169205	H2	7	85	H87192	H4	10	87
H149361	I19	1	125	H169478	J24	28	157	H87193	G20	1	79
H149361	J4	17	135	H171293	E25	3	29	H87193	G22	1	81
H149361	J9	16	141	H171294	E25	3	29	H87226	H18	42	101
H149665	G6	1	64	H171295	E25	3	29	H87226	H22	42	105
H149666	G6	1	64	H171710	J14	16	146	H87226	I6	18	111
H150050	G24	4B	83	H172925	J14	15	146	H87226	I12	26	117
H150050	H2	4	85	H173224	K17	4	175	H87226	I16	26	121
H150050	H4	12	87	H174360	H2	10	85	H87226	I23	24	129
H150135	K17	11	175	H22039	H18	39	101	H87257	G24	9	83
H151036	K7	..	165	H22039	I12	30	117	H87257	H4	21	87
H156115	H8	10B	91	H22039	J10	4	142	H87395	H6	1	89
H156936	J18	10	151	H22135	J10	8	142	H87465	K17	4	175
H161294	J14	7	146	H24673	J10	11	142	H87501	J10	1	142
H161295	J14	4	146	H25360	I23	17	129	H87993	H18	35	101
H161295	J15	11	148	H31571	J20	10	153	H87993	H22	35	105
H161296	J14	2	146	H35309	J20	6	153	H88095	I25	27	131
H161529	G24	15	83	H65108	E13	1	17	H88095	J5	9	136
H161529	H2	11	85	H65108	E17	4	21	H88188	F18	18	51
H161529	H4	3	87	H65108	E23	1	27	H88188	F20	18	53
H161529	H6	8	89	H65108	K3	9	161	H88188	G14	7	73
H161529	H8	8	91	H65108	K6	12	164	H88188	G18	7	77



## NUMERICAL INDEX - CONTINUED

PART NO.	GRID	KEY	PAGE	PART NO.	GRID	KEY	PAGE	PART NO.	GRID	KEY	PAGE
H88335	J20	4	153	H91781	K8	9	166	H96709	E13	12	17
H88336	J16	14	149	H91781	K9	9	167	H96710	E13	5	17
H88344	J16	16	149	H91863	E17	15	21	H96711	E13	5	17
H88348	J16	17	149	H91864	E17	14	21	H96712	E13	9	17
H88350	J20	7	153	H92100	H18	44A	101	H96712	E17	14	21
H88353	J20	18	153	H92100	I6	20	111	H96713	E13	3	17
H88425	F24	4	57	H92100	I25	23	131	H96714	E13	3	17
H88538	F22	10B	55	H92101	I12	24A	117	H96715	E13	11	17
H88538	F23	8	56	H92101	I23	22	129	H96716	E13	11	17
H88538	F24	15	57	H92101	J5	4	136	H96732	E17	18	21
H88538	F25	15	58	H92175	E17	6	21	H96733	E17	18	21
H88538	G1	15	59	H92175	E23	5	27	H96734	E17	6	21
H88538	G2	7	60	H92179	E17	6	21	H96734	E23	5	27
H88538	G3	7	61	H92179	E23	5	27	H96735	E17	6	21
H88585	E13	9	17	H92196	E17	5	21	H96735	E23	5	27
H88587	E13	10	17	H92231	E17	5	21	H96736	E17	5	21
H88591	E9	2	13	H92231	E23	3	27	H96736	E23	3	27
H88591	E17	2	21	H92275	E17	17	21	H96737	E17	5	21
H88591	E19	2	23	H92279	E17	17	21	H96738	E17	17	21
H88591	F2	2	31	H92286	E17	18	21	H96739	E17	17	21
H88594	H6	10	89	H92290	E17	18	21	H96762	H12	10	95
H88603	F24	3	57	H92331	F18	9	51	H96762	H14	9	97
H88603	F25	3	58	H92331	F20	9	53	H96762	H16	18	99
H88621	F18	9	51	H93173	K8	4	166	H96762	H20	18	103
H88622	F18	9	51	H93173	K9	4	167	H96762	I2	36	107
H88622	F20	9	53	H93355	F12	7	43	H96762	I4	34	109
H88624	F18	9	51	H93355	F14	7	45	H96762	I8	19	113
H88624	F20	9	53	H93436	I6	12	111	H96762	I12	38	117
H88641	J20	19	153	H93436	I23	10	129	H96762	I16	38	121
H88685	E13	3	17	H93436	I23	13	129	H96762	I21	23	127
H88686	E13	3	17	H93438	I23	15	129	H97516	H16	19	99
H88687	E13	5	17	H93439	H18	38	101	H97516	H20	19	103
H88688	E13	5	17	H93439	H22	38	105	H97516	I8	18	113
H88689	E13	11	17	H93439	I6	14	111	H97516	I10	15	115
H88690	E13	11	17	H93439	I12	31	117	H97516	I14	15	119
H88691	E13	12	17	H93439	I16	31	121	H97516	I21	20	127
H88704	F5	2	34	H93439	J15	3	148	H97517	G14	5	73
H88704	F6	2	35	H93916	F12	8	43	H97517	G16	5	75
H88704	F12	22	43	H93916	F14	8	45	H97517	H12	13	95
H88704	F14	22	45	H93917	F12	8	43	H97517	H14	12	97
H88715	F9	4	39	H93917	F14	8	45	H97517	H16	20	99
H88716	F9	4	39	H94111	F18	9	51	H97517	H20	20	103
H88717	F9	2	39	H94111	F20	9	53	H97517	I2	28	107
H88717	F10	2	40	H94134	E17	5	21	H97517	I4	27	109
H88724	F12	18	43	H94134	E23	3	27	H97517	I8	24	113
H88724	F14	18	45	H94135	E17	5	21	H97517	I12	37	117
H88725	F12	18	43	H94136	E17	6	21	H97517	I16	37	121
H88725	F14	18	45	H94136	E23	5	27	H97517	I21	22	127
H88978	F7	4	36	H94137	E17	6	21	H97518	H16	22	99
H88983	I6	23A	111	H94137	E23	5	27	H97518	H20	22	103
H88983	I23	11A	129	H94138	E17	17	21	H97518	I10	17	115
H89211	F5	8	34	H94139	E17	17	21	H97709	I6	12	111
H89211	F6	8	35	H94140	E17	18	21	H97709	I12	33	117
H89211	F12	12	43	H94141	E17	18	21	H97709	I23	13	129
H89211	F14	12	45	H94708	G24	18	83	H97732	I6	23B	111
H89456	I25	24	131	H94708	H4	18	87	H97732	I23	11B	129
H89456	J5	7	136	H95475	F22	8	55	H99025	J2	21	133
H89561	K8	2	166	H95476	F22	2	55	H99025	J4	21	135
H89561	K9	2	167	H95478	F22	4	55	H99025	J7	11	139
H89701	G24	12	83	H95938	F18	23	51	H99025	J9	11	141
H89701	H4	20	87	H95938	F20	23	53	H99229	K14	4	172
H91615	E9	5A	13	H95938	G10	16	69	H99229	K15	4	173
H91615	E17	8	21	H95938	G12	16	71	H99303	H12	18	95
H91615	E19	5A	23	H95938	G18	16	77	H99303	H14	17	97
H91615	F2	8A	31	H96707	E13	10	17	H99303	H16	9	99
H91779	K8	13	166	H96707	E17	15	21	H99303	H20	9	103
H91779	K9	13	167	H96708	E13	12	17	H99303	I2	8	107

## NUMERICAL INDEX - CONTINUED

PART NO.	GRID	KEY	PAGE	PART NO.	GRID	KEY	PAGE	PART NO.	GRID	KEY	PAGE
H99303	I4	8	109	K40014	G1	5	59	P45502	G24	15	83
H99303	I8	10	113	M40333	K12	5	170	P48347	J18	12	151
H99303	I10	7	115	M40461	E9	12	13	P49554	J10	2	142
H99303	I14	7	119	M40461	E11	11	15	P50419	H18	37	101
H99303	I21	7	127	M40461	E17	11	21	P50419	H22	37	105
H99303	I25	7	131	M40461	E19	12	23	P50419	I6	13	111
H99303	J2	8	133	M40461	E21	11	25	P50419	I12	32	117
H99303	J4	8	135	M40461	F2	5	31	P50419	I16	32	121
H99306	I25	9	131	M40461	F7	7	36	P50419	I23	14	129
H99325	H18	36A	101	M40461	F8	7	37	P50419	J15	6	148
H99328	I12	33	117	M40461	K12	6	170	RE69297	J18	9	151
H99333	I12	33	117	M40461	K12	7	170	R111692	J18	7	151
JD10091	G5	4	63	M40461	K13	5	171	R112679	J18	8	151
JD10091	G6	4	64	M40699	G24	7A	83	R2577R	J16	11	149
JD10092	G10	6	69	M66044	J25	3	158	R2577R	J20	15	153
JD10092	G12	6	71	M66044	K1	3	159	R2577R	K8	19	166
JD10092	G18	29	77	M84971	I2	18	107	R26871	J18	13	151
JD5255	K17	7	175	M84971	I4	18	109	R41076	J18	5	151
JD5580	K17	5	175	M84972	G22	6	81	R50575	K8	19	166
JD5581	K17	6	175	M87259	J11	14	143	R60730	J22	24	155
JD5590	K17	2	175	N10212	J22	27	155	R60730	J24	23	157
JD5902	K17	5	175	N10212	K12	1	170	R66143	J20	23	153
JD5905	K17	6	175	N10213	H9	2	92	R76504	J22	28	155
JD5920	F10	5	40	N10214	F5	12	34	R76504	K8	19	166
JD5920	K5	2B	163	N10214	F5	19	34	R77460	J25	5	158
JD5920	K17	15	175	N10214	F18	20	51	R78053	K5	1	163
JD5921	K5	2B	163	N10216	I8	30	113	R78058	K5	1	163
JD5921	K17	6	175	N10216	K12	5	170	R78059	K5	1	163
JD5922	K5	2B	163	N10216	K12	7	170	R78060	K6	3	164
JD5922	K17	16	175	N10217	I8	30	113	R78060	K7	3	165
JD7760	J13	2	145	N10217	K12	5	170	R78061	K6	1	164
JD7760	J14	11	146	N10217	K12	7	170	R78061	K7	1	165
JD7788	F24	7	57	N103236	G10	14	69	R79985	J22	28	155
JD7788	F25	7	58	N103236	G12	14	71	R79985	J24	24	157
JD7797	G1	7	59	N103236	G18	18	77	R79985	K8	19	166
JD7797	J10	7	142	N103631	F5	13A	34	R79985	K9	19	167
JD7797	J16	5	149	N103830	I6	24	111	R86457	J18	6	151
JD7806	G10	27	69	N103830	I8	5	113	T16464	G24	8	83
JD7806	G12	27	71	N103830	I21	10	127	T19572	G6	8	64
JD7806	G18	26	77	N103830	I23	25	129	T25879	H16	12	99
JD7842	J13	6	145	N104243	I23	19	129	T25879	H20	12	103
JD8551	G24	14	83	N114149	J22	15	155	T25879	I10	4	115
JD8551	H4	8	87	N120831	J24	27	157	T29049	G22	9	81
JD8552	G24	16	83	N12679	G2	4	60	T29049	H8	7	91
JD8552	H4	16	87	N12679	G3	4	61	T29049	I2	40	107
JD9313	F24	1	57	N12909	K14	8	172	T29049	I4	42	109
JD9313	F25	1	58	N12909	K15	8	173	W36510	J11	4	143
JD9313	H16	5	99	N14247	H16	4	99	W36512	J11	12	143
JD9313	H20	5	103	N14247	H20	4	103	W43141	J11	15	143
JD9313	I10	11	115	N14247	I10	10	115	28316	F12	20	43
JD9313	I14	11	119	N14247	I14	10	119	28316	F14	20	45
J13155	G5	9	63	N14393	F24	2	57				
J13155	G10	2	69	N14393	F25	2	58				
J13155	G18	33	77	N219240	F22	5B	55				
J15524	F22	10A	55	N219240	F23	5	56				
J16931	E9	12	13	P20350	I8	17	113				
J16931	E17	11	21	P41706	G20	6	79				
J16931	F7	7	36	P42232	G5	5	63				
J16931	F18	1	51	P42232	G6	5	64				
J16931	F20	1	53	P42232	G10	5	69				
J16931	J20	9	153	P42232	G12	5	71				
J16931	J22	16	155	P42232	G18	28	77				
J16931	J24	16	157	P42862	J22	15	155				
K40006	F5	4	34	P42862	J24	15	157				
K40006	F6	4	35	P43922	J20	30	153				
K40006	F12	16	43	P43922	J22	21	155				
K40006	F14	16	45	P43922	J24	21	157				